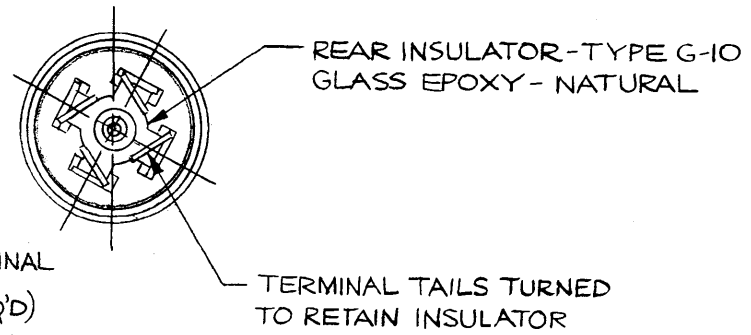
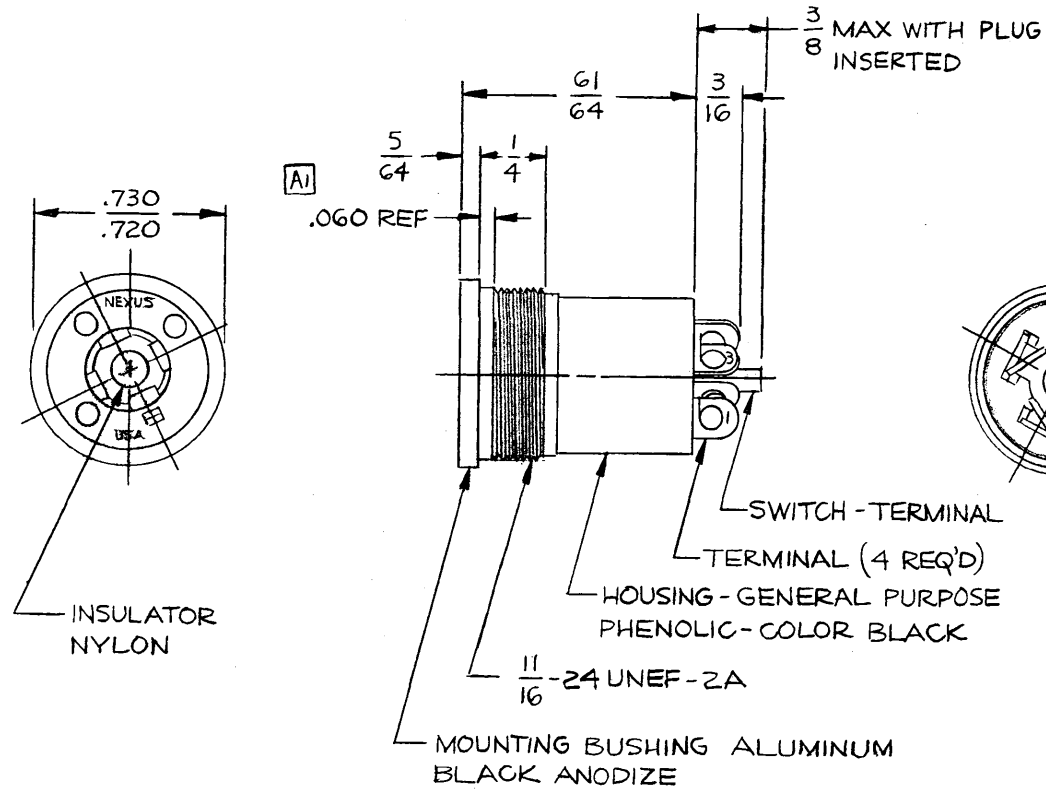
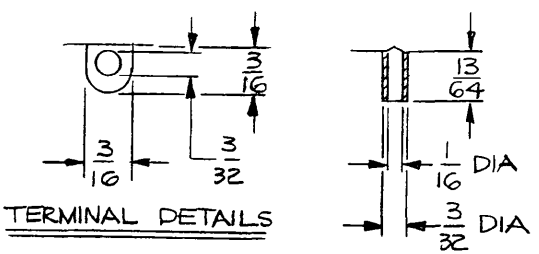
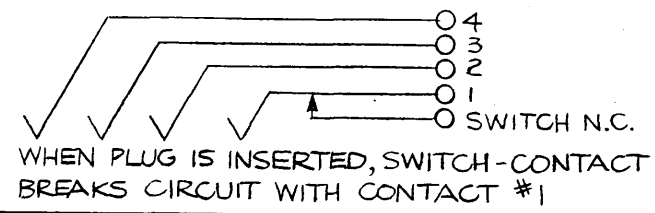


**B TJST-120**

- NOTES:
1. TERMINALS #1,2,3 & 4 TO BE BERYL COPPER. SWITCH TERMINAL TO BE BRASS.
  2. ALL TERMINALS FINISHED PER QQ-N-290 TYPE I CLASS VIII NICKEL.
  3. ASSEMBLY TO MAKE CONTACT WITH TELEPHONE PLUGS TYPE U-93A/U, U-174/U & NEXUS TP-120.



JACK SCHEMATIC




 Australian Representatives  
**ROJONE, PTY LTD.**  
 Tel: 02 9829 1555  
 E: sales@rojone.com.au  
 www.rojone.com.au

A	NOTE WAS "FULL THREAD TO WITHIN .060"	12/1/90	
LET.	REVISION	DATE	CHK.

OWN. BY	IDH	DATE	11/19/88	MATERIAL
CHECKED BY	W.H.F.	DATE	11/21/88	FINISH
APPR. BY				WEIGHT
				SCALE 2:1
UNLESS OTHERWISE SPECIFIED				TITLE
DIMENSIONS ARE IN INCHES TOLERANCES ON FRACTIONS DECIMALS ANGLES				
TELEPHONE JACK				NEXUS STAMFORD, CONN.
FOUR CONDUCTOR WITH N.C SWITCH				
DO NOT SCALE DWG.				SIZE
SHEET				OF
				B
				DWG. NO.
				TJST-120