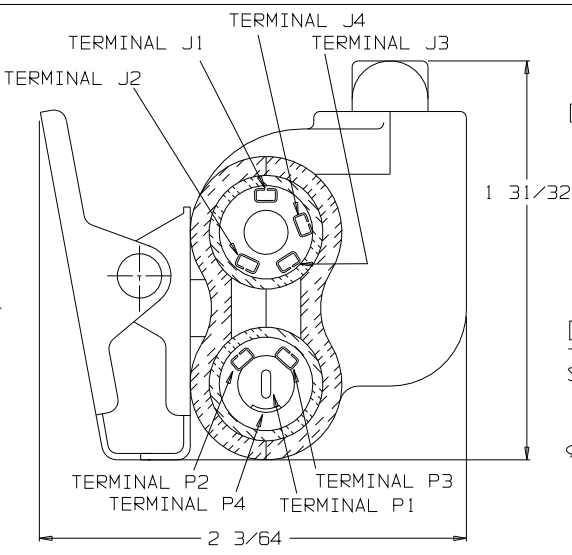
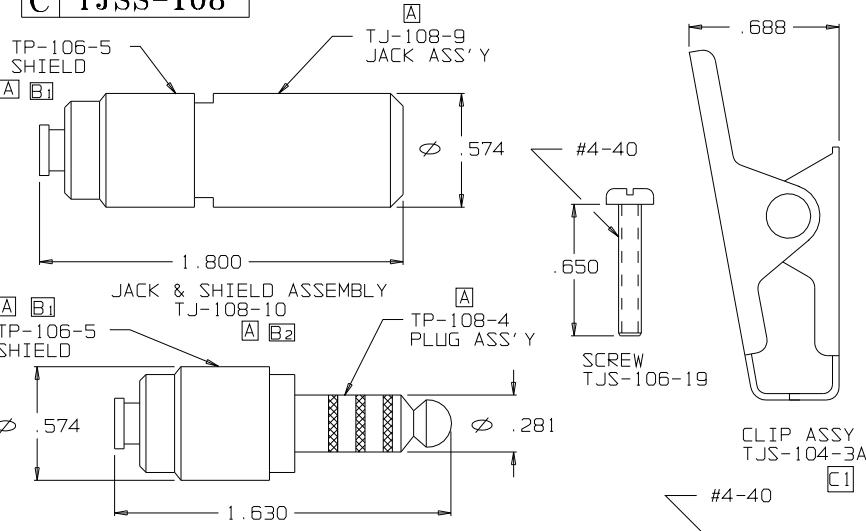


VIEW WITH HALF SHELL REMOVED

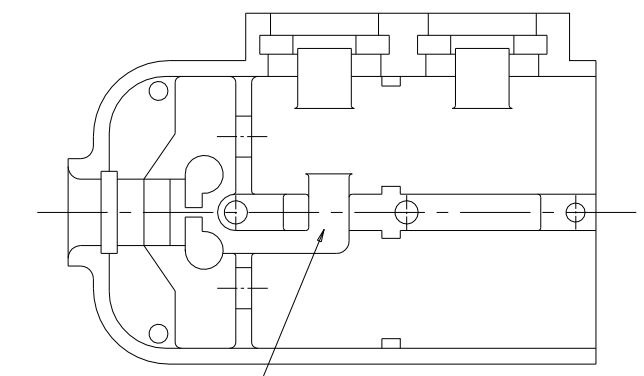


SECTION A-A

C TJSS-108

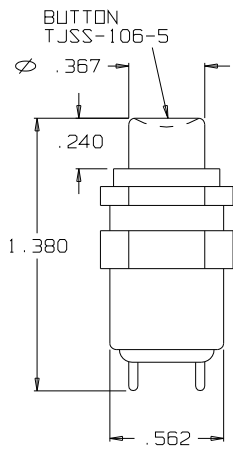
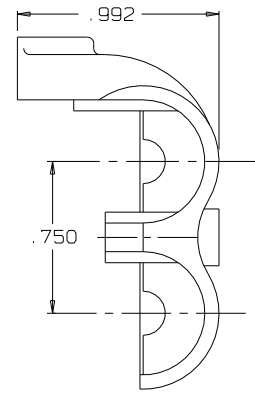


PLUG & SHIELD ASSEMBLY TP-108-6

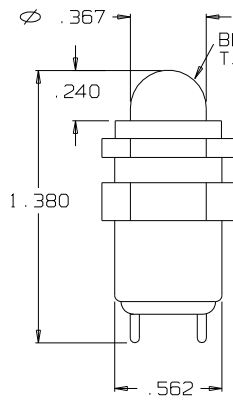


CHANNEL FOR SWITCH LEADS

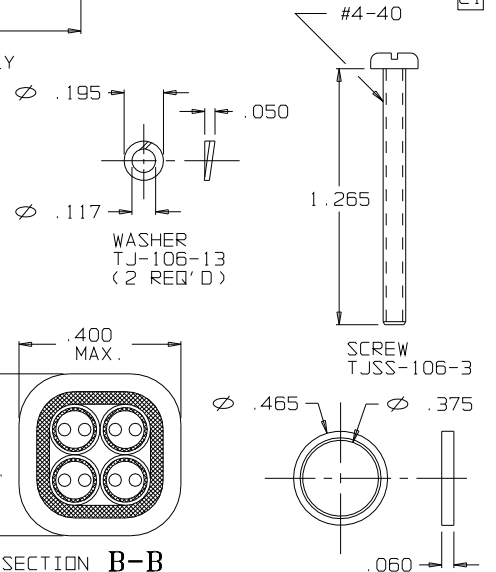
SHELL, HALF TJSS-106-2



[E1] NX301LB1B SWITCH

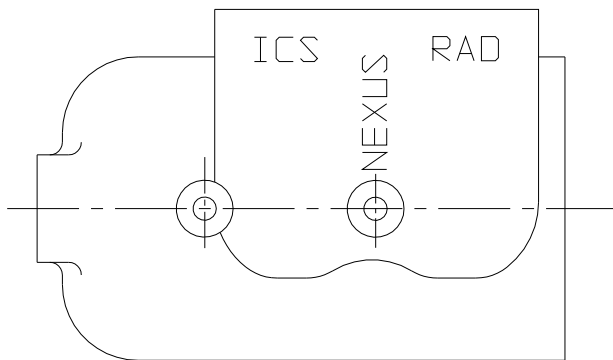


[E1] NX301LB1G SWITCH

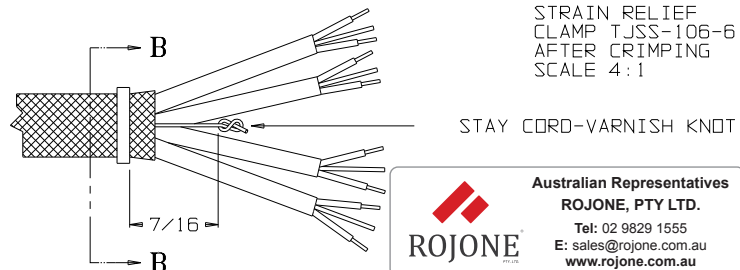


SECTION B-B
STRAIN RELIEF CLAMP TJSS-106-8
AFTER CRIMPING
SCALE 4:1

RING, STRAIN RELIEF TJSS-106-6



SHELL, HALF TJSS-108-1



STAY CORD-VARNISH KNOT

Australian Representatives
ROJONE, PTY LTD.
Tel: 02 9829 1555
E: sales@rojone.com.au
www.rojone.com.au

THIS DOCUMENT CONTAINS PROPRIETARY INFORMATION OF NEXUS, INCORPORATED AND SUCH INFORMATION MAY NOT BE DISCLOSED TO OTHERS FOR ANY PURPOSE OR USED FOR ANY PURPOSE WITHOUT THE WRITTEN CONSENT OF NEXUS.

DWN BY M.N.F.		DATE 12/14/94		MATERIAL	
CHECKED BY L. SMITH		DATE 4/6/95		FINISH	
APPR BY L. SMITH		DATE 4/6/95		WEIGHT	
TITLE JACK-TELEPHONE-BIAXIAL SHIELDED (8) CONDUCTOR WITH TWO SWITCHES		SCALE NONE		SHEET 1 OF 1	
UNLESS OTHERWISE SPECIFIED DIMENSIONS ARE IN INCHES TOLERANCES ON FRACTIONS DECIMALS ANGLES		DO NOT SCALE DWG.		SIZE C	
LET.	REVISION	CN #	DATE	CHK	1/84 1/1005

NEXUS STAMFORD, CONN
DWG. NO. **TJSS-108**