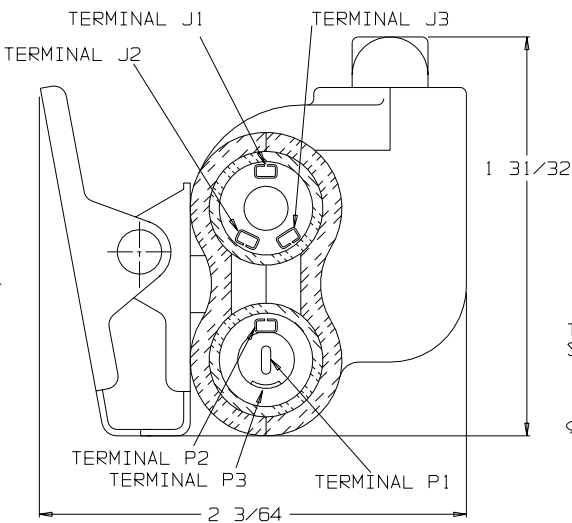
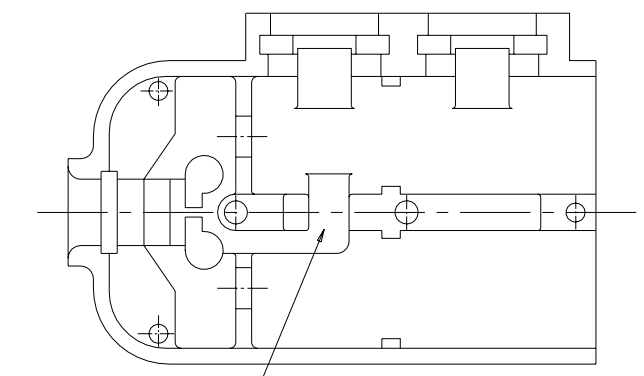
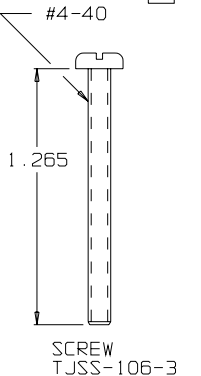
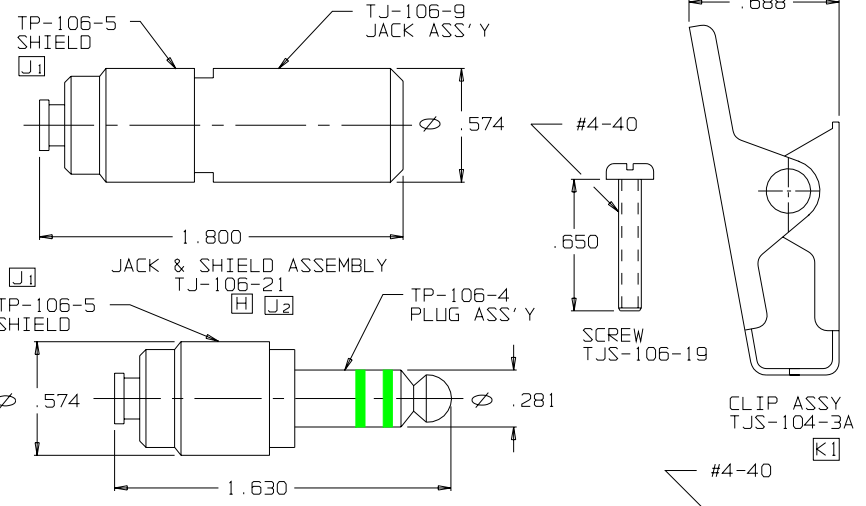


VIEW WITH HALF SHELL REMOVED

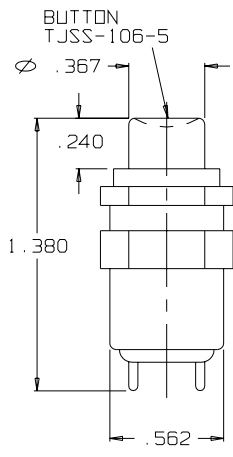
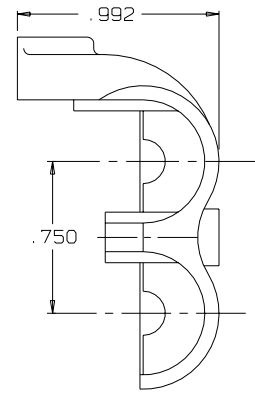


SECTION A-A

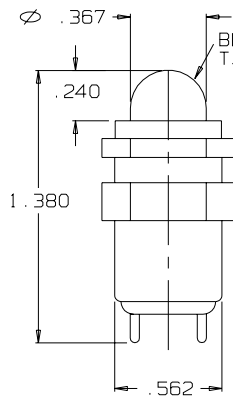
**C TJSS-106**



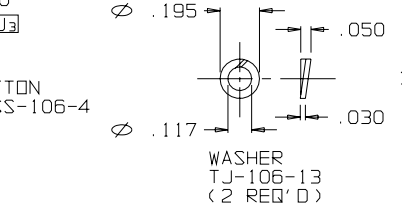
SHELL, HALF TJSS-106-2



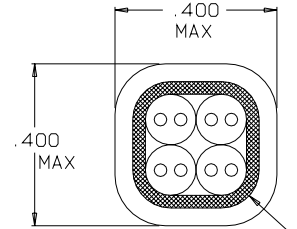
SWITCH NX301LB1B



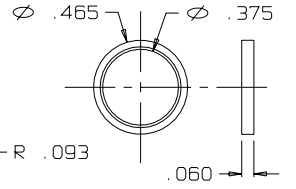
SWITCH SPND



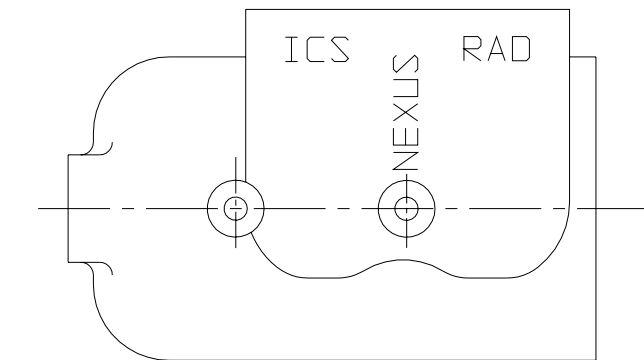
WASHER TJ-106-13 (2 REQ'D)



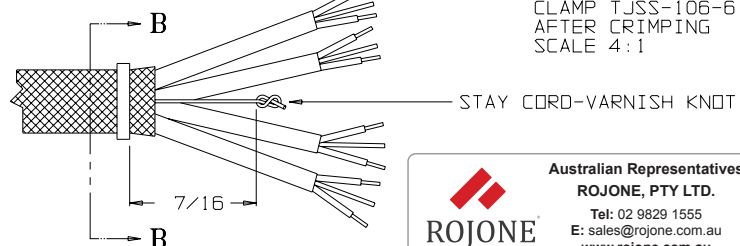
SECTION B-B  
STRAIN RELIEF CLAMP TJSS-106-6 AFTER CRIMPING SCALE 4:1



RING, STRAIN RELIEF TJSS-106-6



SHELL, HALF TJSS-106-1



STAY CORD-VARNISH KNOT

**ROJONE**  
Australian Representatives  
**ROJONE, PTY LTD.**  
Tel: 02 9829 1555  
E: sales@rojone.com.au  
www.rojone.com.au

THIS DOCUMENT CONTAINS PROPRIETARY INFORMATION OF NEXUS, INCORPORATED AND SUCH INFORMATION MAY NOT BE DISCLOSED TO OTHERS FOR ANY PURPOSE OR USED FOR ANY PURPOSE WITHOUT THE WRITTEN CONSENT OF NEXUS.

DWN BY: M.N.F.		DATE: 2/19/94		MATERIAL: _____	
CHECKED BY: L.SMITH		DATE: 3/14/96		FINISH: _____	
APPR BY: L.SMITH		DATE: 3/14/96		WEIGHT: _____ SCALE: 2:1	
1) WAS TJS-104-3		0321 10/7/98 EWT		TITLE: JACK-TELEPHONE-BIAxIAL SHIELDED (6) CONDUCTOR WITH TWO SWITCHES	
2) WAS TJSS-106-12		0223 4/2/96 L.S.		UNLESS OTHERWISE SPECIFIED DIMENSIONS ARE IN INCHES TOLERANCES ON FRACTIONS DECIMALS ANGLES	
3) WAS TJSS-106-13		11/13/96 L.S.		DO NOT SCALE DWG. SHEET 1 OF 1	
1) WAS TJSS-106-7		0202 11/13/96 L.S.		SIZE: <b>C</b>	
LET. REVISION		CN #		DATE	

**NEXUS STAMFORD, CONN**  
DWG. NO: **TJSS-106**