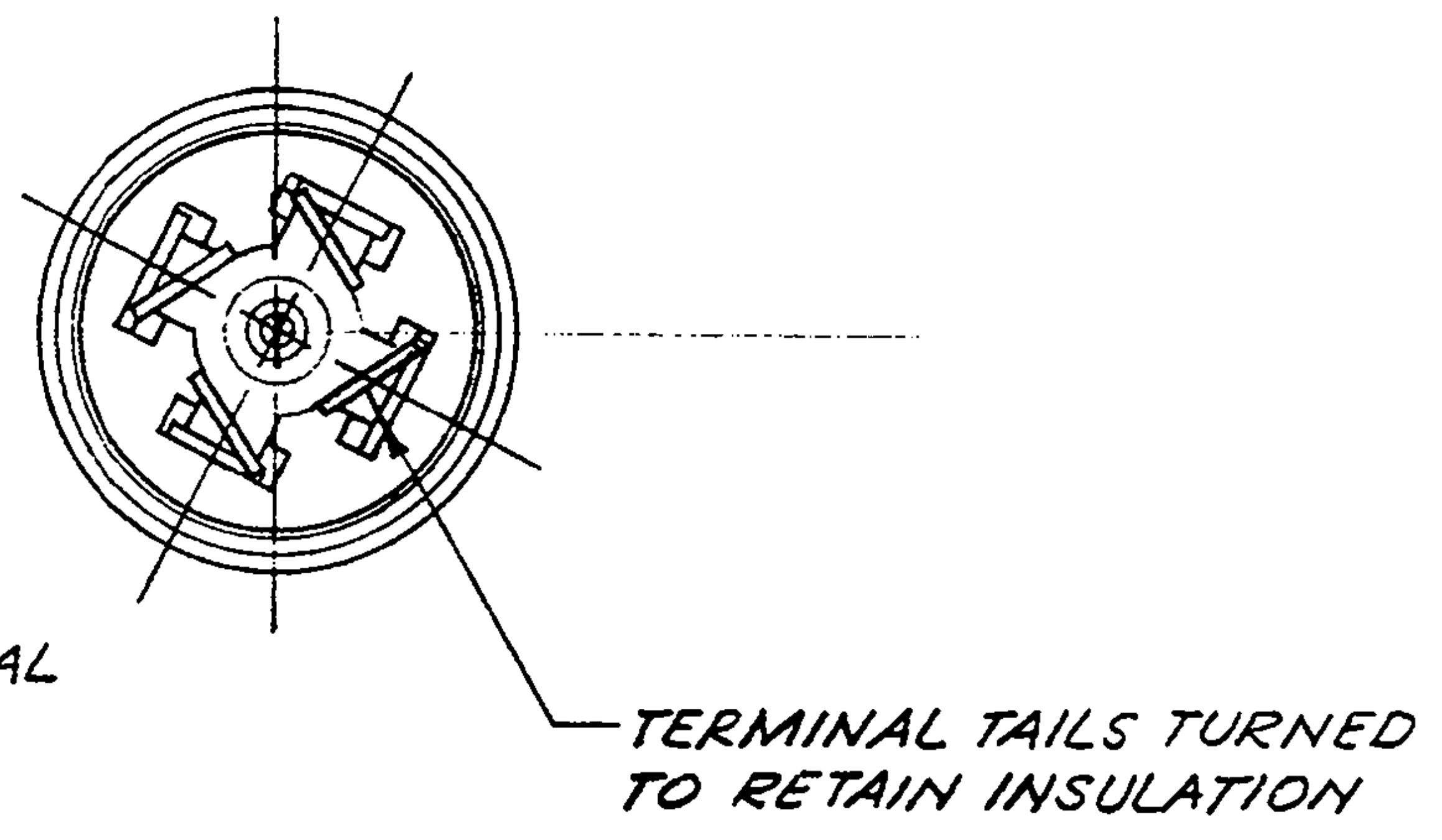
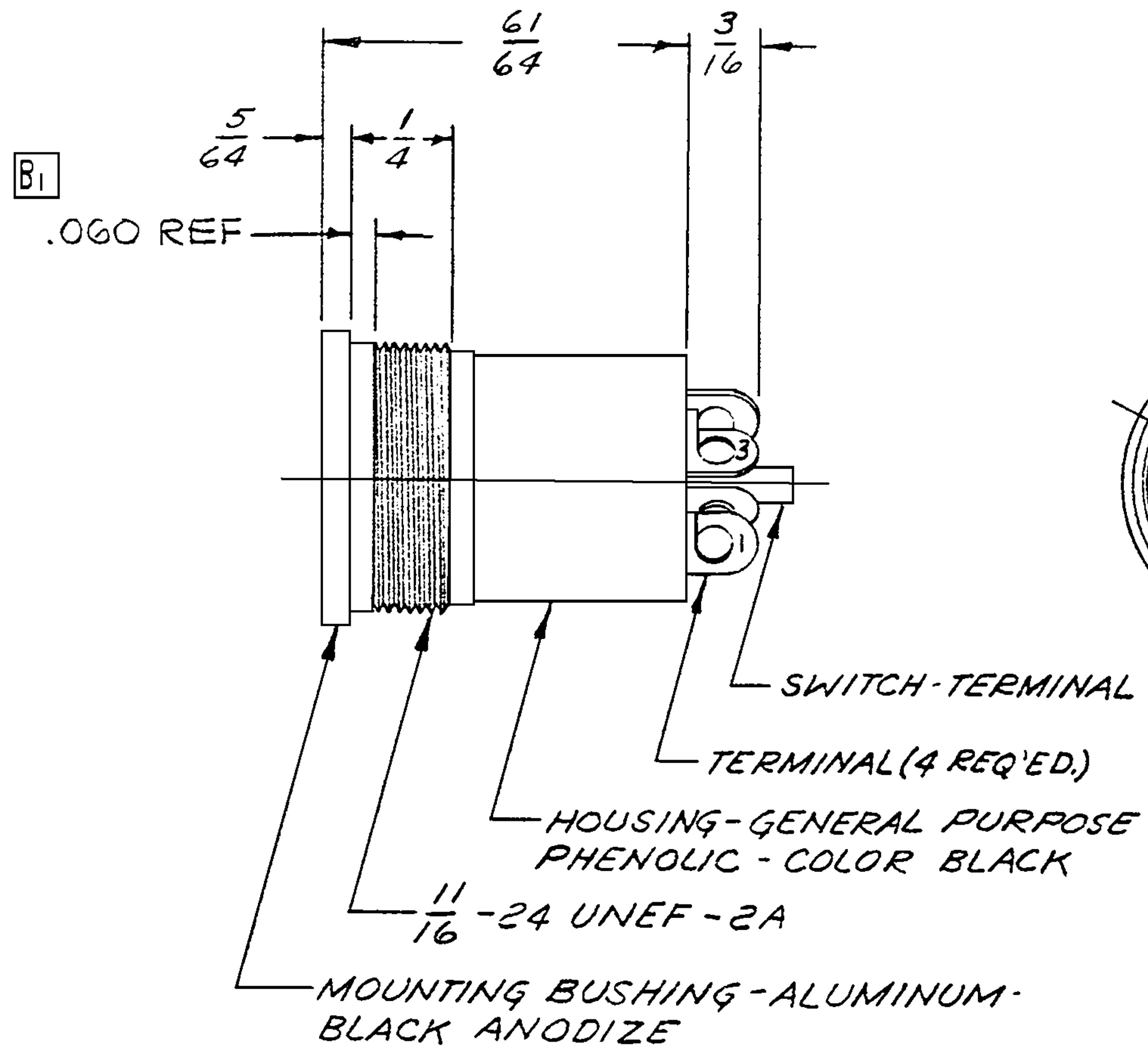
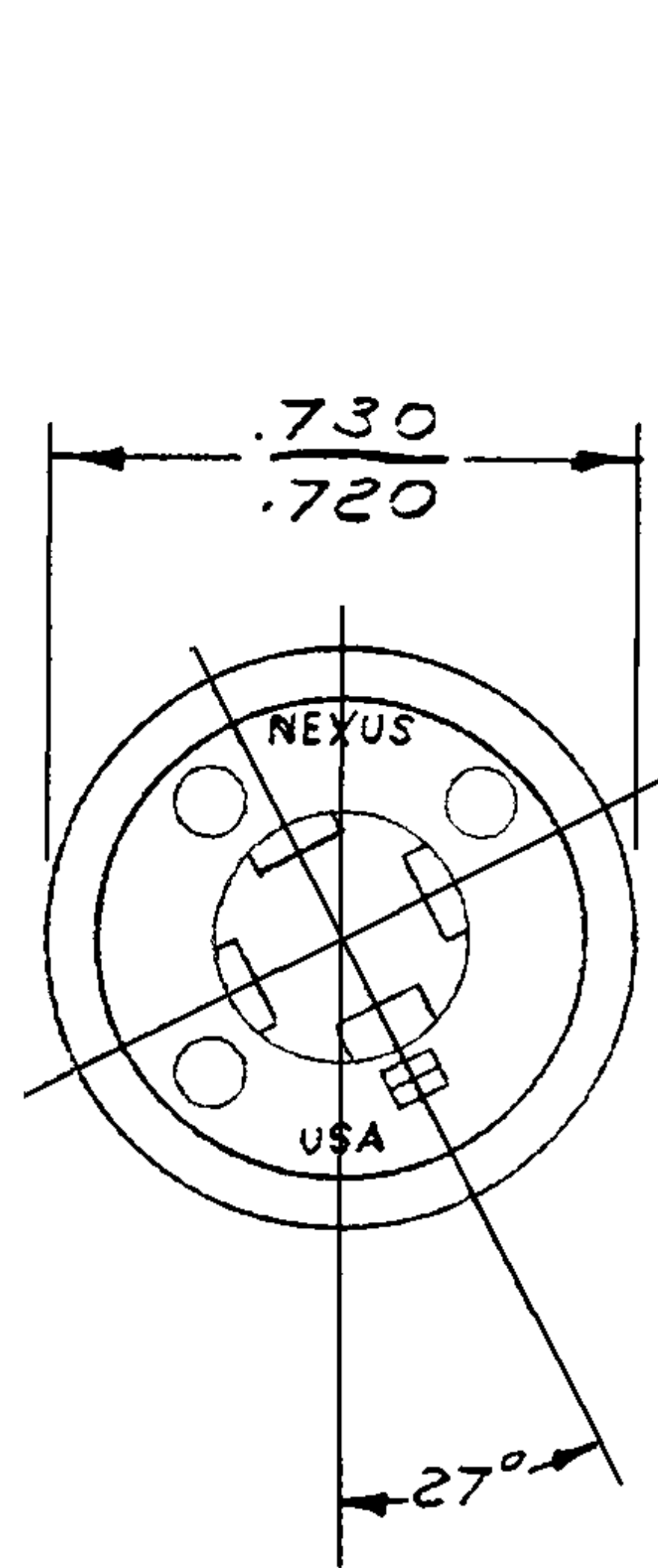


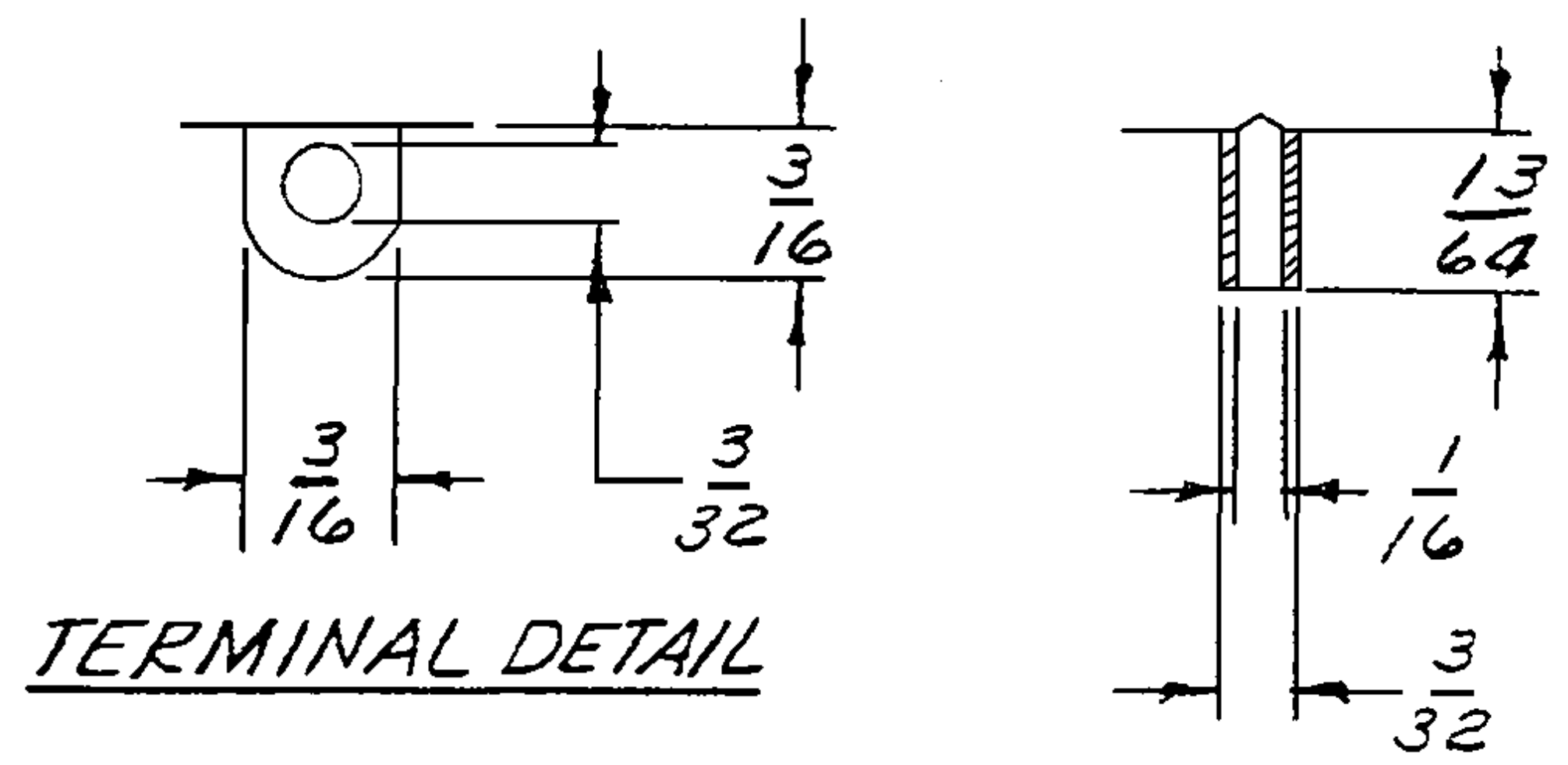
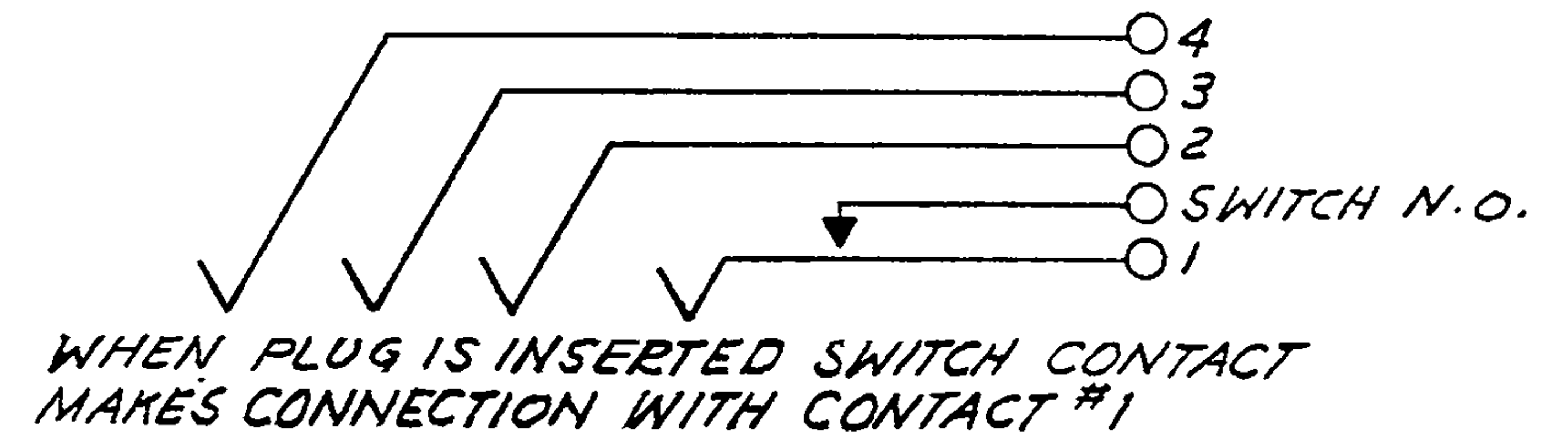
B TJGT-120

NOTES: -

1. SWITCH-TERMINAL & TERMINAL #1 ARE CLOSED WHEN TELEPHONE PLUG IS ASSEMBLED IN JACK.
2. TERMINALS #1, 2, 3 & 4 TO BE BERYL COPPER. SWITCH-TERMINAL TO BE BRASS.
3. ALL TERMINALS FINISHED PER QQ-N-290 TYPE I CLASS III NICKEL. SWITCH-TERMINAL TO BE GOLD FLASHED PER MIL-G-45204 TYPE II.
4. ASSEMBLY TO MAKE CONTACT WITH TELEPHONE PLUGS TYPE U-93/U, U-174/U & NEXUS TP-120



JACK SCHEMATIC



Australian Representatives
ROJONE
 ROJONE, PTY LTD.
 Tel: 02 9829 1555
 E: sales@rojone.com.au
 www.rojone.com.au

B	NOTE WAS FULL THREADED TO WITHIN .060	12/4/90	
A	REDRAWN	8-18-69	
LET.	REVISION	DATE	CHK.

DWN. BY <i>M. Ambro</i>	DATE 8-18-69	MATERIAL	
CHECKED BY		FINISH	
APPR. BY		WEIGHT	SCALE 2:1
UNLESS OTHERWISE SPECIFIED DIMENSIONS ARE IN INCHES TOLERANCES ON FRACTIONS DECIMALS ANGLES		TITLE TELEPHONE JACK FOUR CONDUCTOR WITH N.O. SWITCH	
		DO NOT SCALE DWG. SHEET OF	
		NEXUS STAMFORD, CONN. SIZE DWG. NO. B TJGT-120	