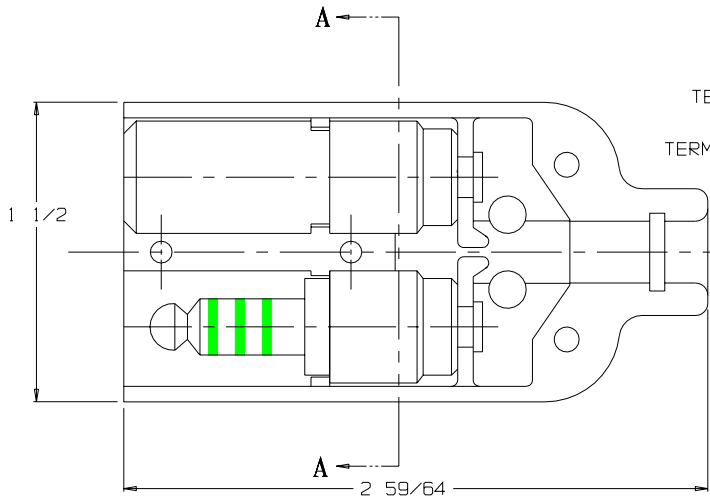
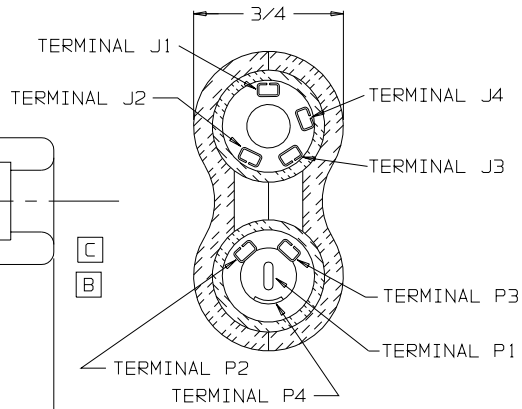


FOR REFERENCE ONLY

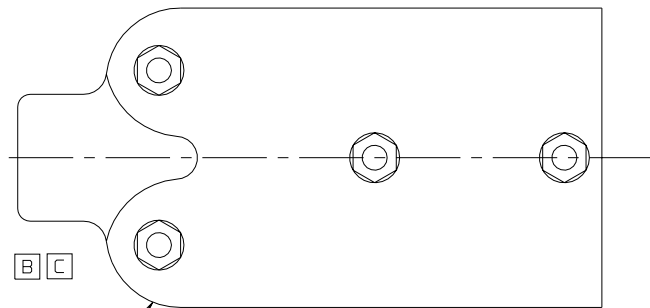
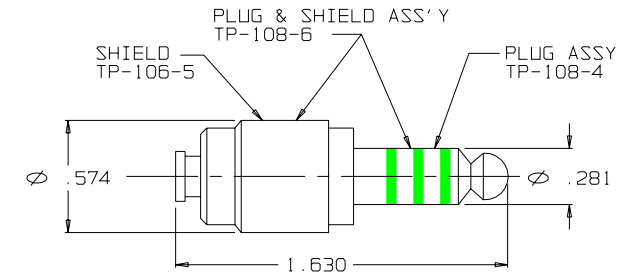
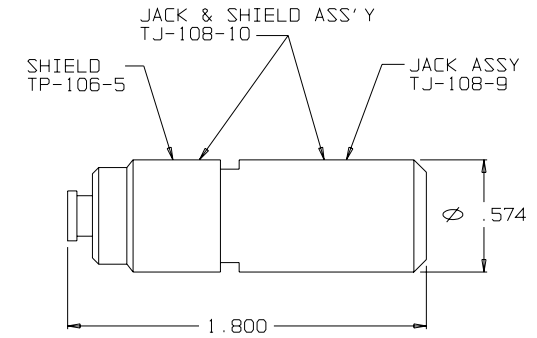
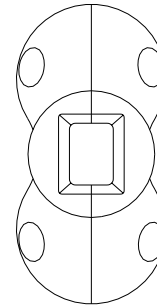
C TJ-108



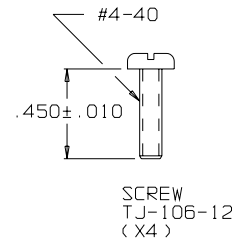
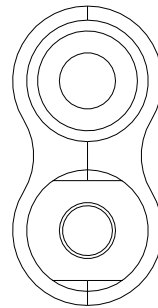
VIEW WITH HALF SHELL REMOVED



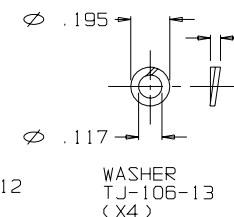
SECTION A-A



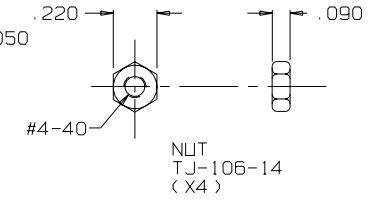
SHELL TJ-108-1 (X2)



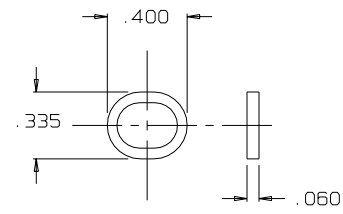
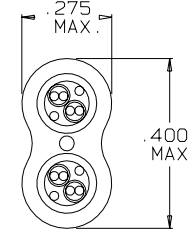
SCREW TJ-106-12 (X4)



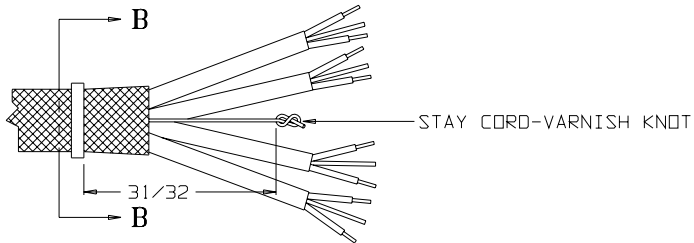
WASHER TJ-106-13 (X4)



NUT TJ-106-14 (X4)



RING, STRAIN RELIEF TJ-106-10A



Australian Representatives
ROJONE, PTY LTD.
 Tel: 02 9829 1555
 E: sales@rojone.com.au
 www.rojone.com.au

SECTION B-B
 STRAIN RELIEF CLAMP TJ-106-10A AFTER CRIMPING
 SCALE: 4:1

THIS DOCUMENT CONTAINS PROPRIETARY INFORMATION OF NEXUS, INCORPORATED AND SUCH INFORMATION MAY NOT BE DISCLOSED TO OTHERS FOR ANY PURPOSE OR USED FOR ANY PURPOSE WITHOUT THE WRITTEN CONSENT OF NEXUS.

C		UPDATE TO SHOW RE-DESIGNED CABLE ENTRY	6/30/06	EWT	DWN. BY	M. N. F.	DATE	9/14/95	MATERIAL	_____
B		UPDATE TO SHOW OLD CABLE ENTRY	6/28/06	EWT	CHECKED BY	L. SMITH	DATE	3/14/96	FINISH	_____
A							DATE	3/14/96	WEIGHT	_____
LET.		REVISION	CN #	DATE	CHK.				SCALE	2:1
									TITLE	JACK-TELEPHONE-BIAXIAL SHIELDED (8) CONDUCTOR
									DO NOT SCALE DWG.	SHEET 1 OF 1
									NEXUS STAMFORD, CONN SIZE DWG. NO. C TJ-108	