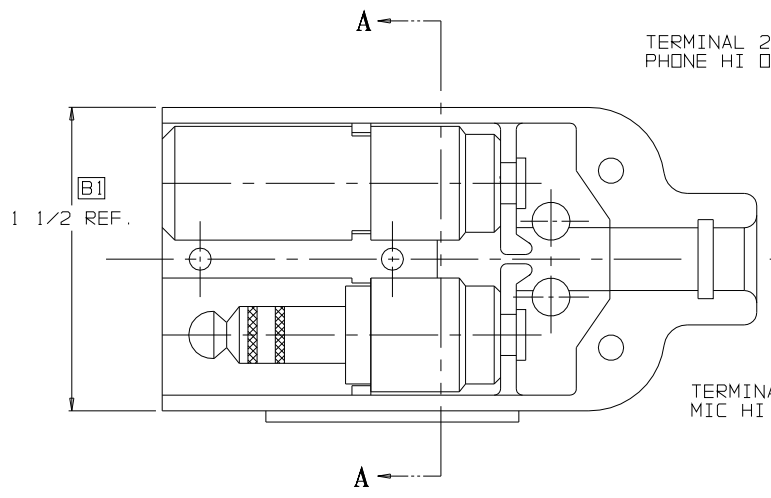
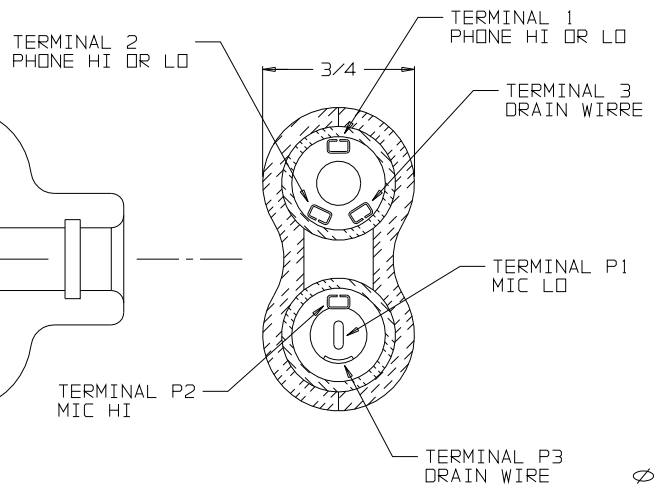


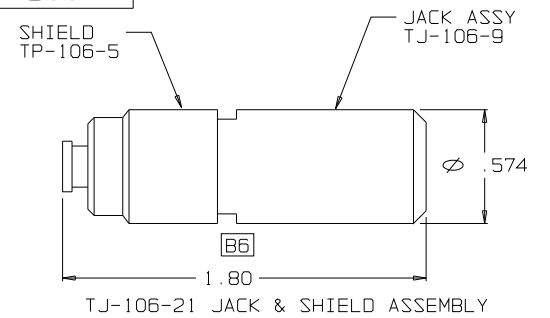
**C TJ-106**



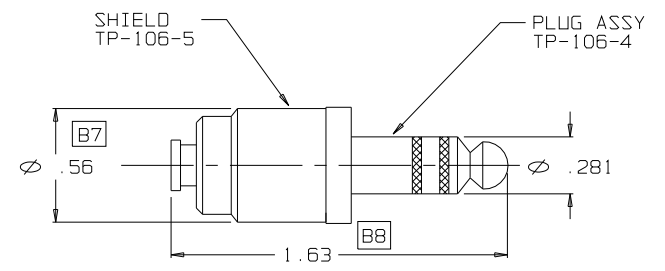
VIEW WITH HALF SHELL REMOVED



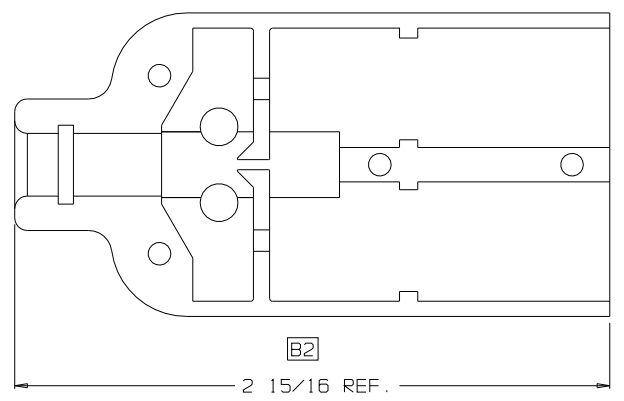
SECTION A-A



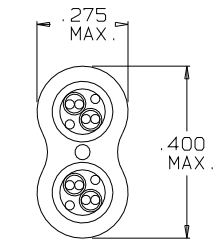
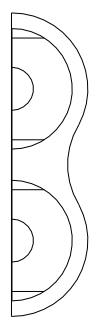
TJ-106-21 JACK & SHIELD ASSEMBLY



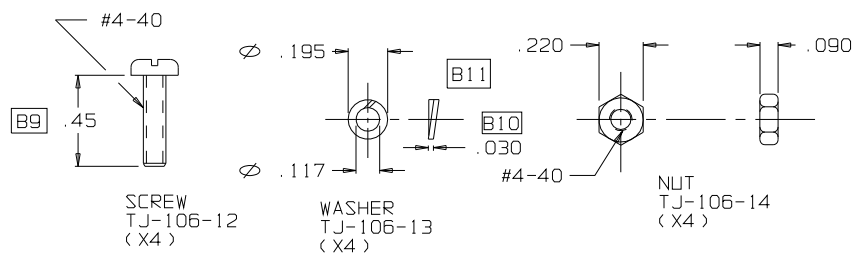
TP-106-10 PLUG & SHIELD ASSEMBLY



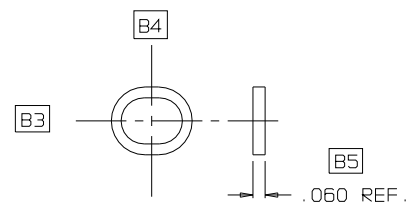
SHELL, HALF TJ-106-11 (X2)



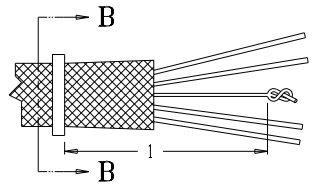
SECTION B-B  
STRAIN RELIEF CLAMP TJ-106-10A AFTER CRIMPING  
SCALE: 4:1



SCREW TJ-106-12 (X4)  
WASHER TJ-106-13 (X4)  
NUT TJ-106-14 (X4)



RING, STRAIN RELIEF TJ-106-10A



STAY CORD-VARNISH KNOT

**Australian Representatives**  
**ROJONE, PTY LTD.**  
Tel: 02 9829 1555  
E: sales@rojone.com.au  
www.rojone.com.au

THIS DOCUMENT CONTAINS PROPRIETARY INFORMATION OF NEXUS, INCORPORATED AND SUCH INFORMATION MAY NOT BE DISCLOSED TO OTHERS FOR ANY PURPOSE OR USED FOR ANY PURPOSE WITHOUT THE WRITTEN CONSENT OF NEXUS.

B	1. 2 & 5 ADD REF	031	11/2/09	GPH	DWN BY	EWT	DATE	8/3/01	MATERIAL	_____
	2. DELETE 325				CHECKED BY	DATE	FINISH	_____		
A	3. DELETE 400	9/18/01	EWT	CHK	APPR BY	DATE	WEIGHT _____ SCALE 2:1		TITLE JACK-TELEPHONE-BIAXIAL SHIELDED (6) CONDUCTOR	
	4. WAS 1.800				UNLESS OTHERWISE SPECIFIED DIMENSIONS ARE IN INCHES TOLERANCES ON FRACTIONS DECIMALS ANGLES	±.1/64	±.005	—		
LET.	REVISION	CN #	DATE	CHK	DO NOT SCALE DWG.		SHEET 1 OF 1	<b>NEXUS STAMFORD, CONN</b> SIZE DWG. NO. <b>C TJ-106</b>		