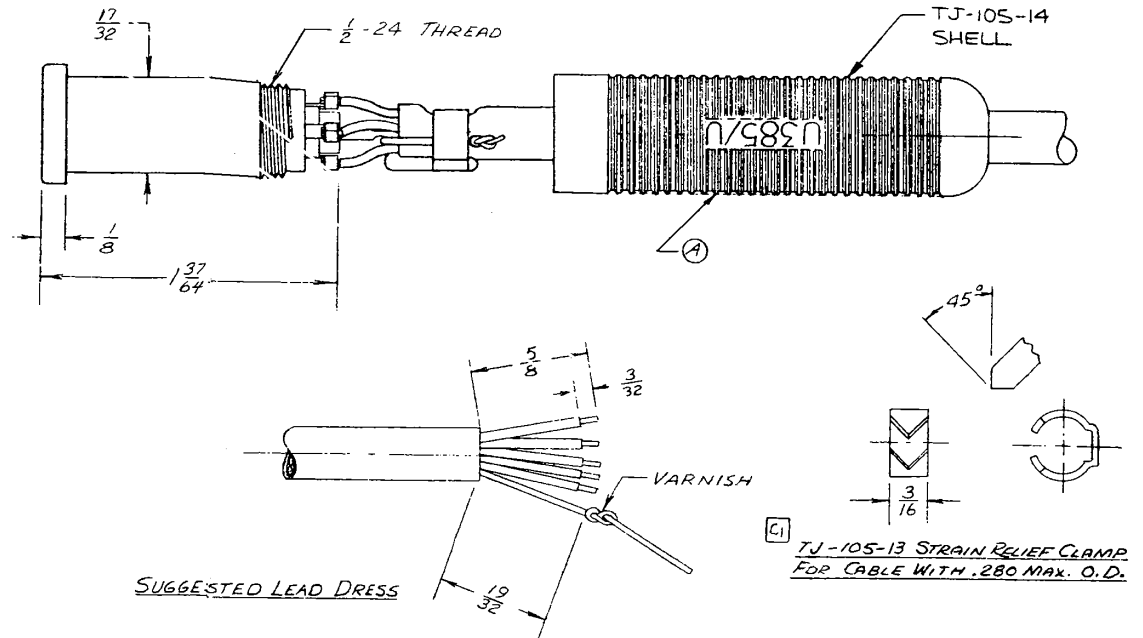


CONDENSED SPECIFICATIONS:

1. THIS JACK MATES WITH NEXUS TELEPHONE PLUG TP-105 WITH A MAXIMUM INSERTION FORCE OF 10 LBS AND WITHDRAWAL FORCE OF 6 LBS MINIMUM TO 10 LBS MAXIMUM.
2. THE STRAIN RELIEF CLAMP IS INTENDED FOR USE WITH CABLES APPROXIMATELY .275 OUTSIDE DIAMETER.
3. THE SOLDER TERMINALS EACH WILL ACCEPT TWO STRANDED CONDUCTORS OF 404 CIRCULAR MILLS (24 GAGE, 41 STRANDS OF # 40 AWG)
4. EACH CONDUCTOR IS OF ONE PIECE CONSTRUCTION - THERE ARE NO JOINTS OF ANY TYPE BETWEEN THE CONTACT AREA AND THE SOLDER TERMINALS.
5. THE STAY CORD ANCHOR WILL WITHSTAND A 50 LB PULL FOR AT LEAST 5 MINS.
6. MATERIALS:
 - A. CONTACTS-BERYLLIUM COPPER PER FEDERAL SPEC. QQ-C-533. FINISH NICKEL PLATE PER FEDERAL SPEC. QQ-N-290 CLASS 2 TYPE VI.
 - B. BODY INSULATION
 - C. STRAIN RELIEF CLAMP - STAINLESS STEEL PER FEDERAL SPEC. QQ-S-766 CLASS 4.
 - D. SHELL- BLACK.
7. ELECTRICAL:
 - A. DIELECTRIC STRENGTH-500 VOLTS RMS MIN. BETWEEN ANY PAIR OF CONTACTS.
 - B. INSULATION RESISTANCE-100 MEGOHMS MIN. BETWEEN ANY PAIR OF CONTACTS.
 - C. CONTACT RESISTANCE-WHEN MATED WITH NEXUS TP-105 TELEPHONE PLUG AND WITH A DIRECT CURRENT OF 100 MILLIAMPERES AT 5 VOLTS (OPEN CIRCUIT VOLTAGE) FLOWING THROUGH THE CONTACTS, THE POTENTIAL DROP BETWEEN EACH PAIR OF CONTACTS WILL NOT EXCEED .005 VOLTS.



SUGGESTED LEAD DRESS


Australian Representatives
ROJONE, PTY LTD.
 Tel: 02 9829 1555
 E: sales@rojone.com.au
 www.rojone.com.au

OWN. BY W.H.F.	DATE 5/10/67	MATERIAL	
CHECKED BY.		FINISH	
APPR. BY		WEIGHT	SCALE 2/154.1
UNLESS OTHERWISE SPECIFIED DIMENSIONS ARE IN INCHES TOLERANCES ON FRACTIONS DECIMAL ANGLES		TITLE TELEPHONE JACK	SIZE C
LET.	REVISION	DATE	CHK.
		DO NOT SCALE DWG.	SHEET OF
		NEXUS STAMFORD, CONN.	
		DWG. NO. TJ-105	