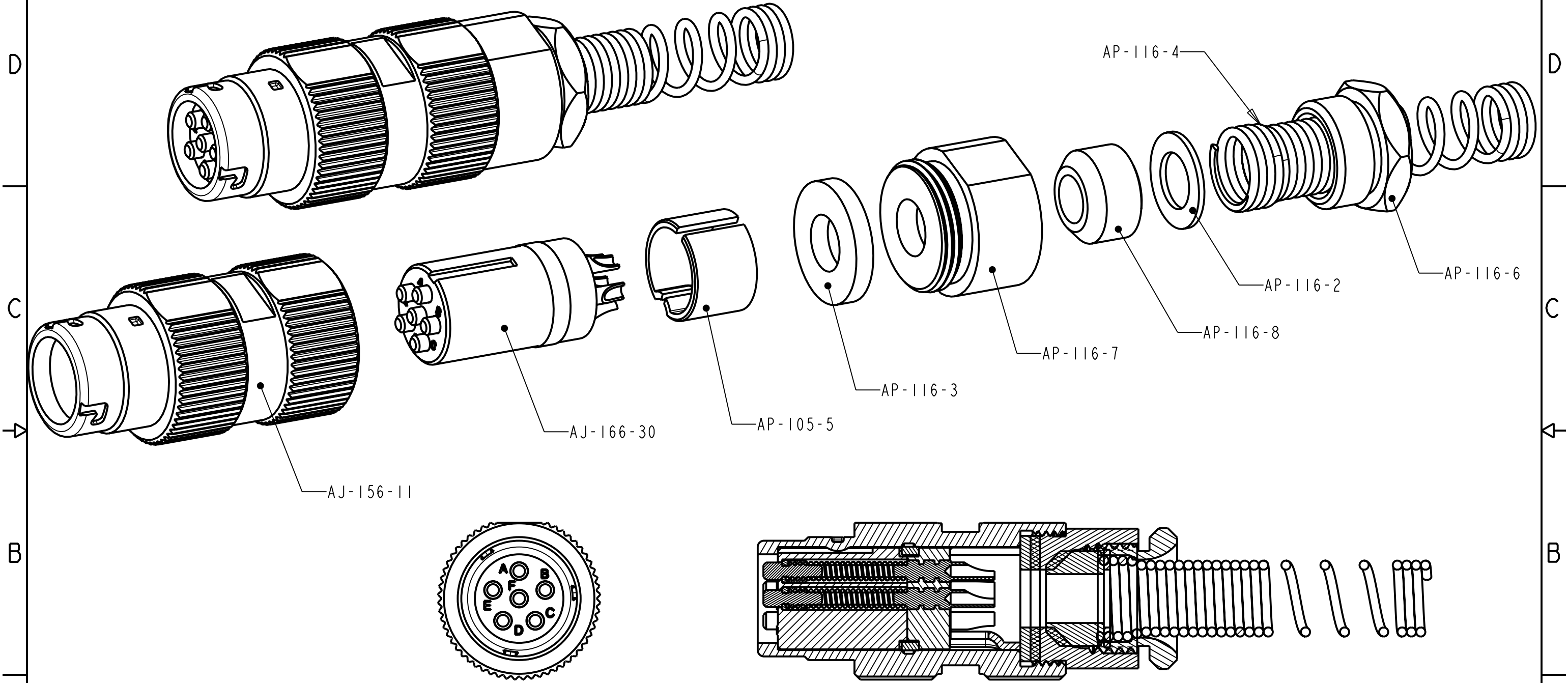


B AJ-166



THIS DOCUMENT CONTAINS PROPRIETARY INFORMATION OF NEXUS, INCORPORATED AND SUCH INFORMATION MAY NOT BE DISCLOSED TO OTHERS FOR ANY PURPOSE OR USED FOR ANY PURPOSE WITHOUT THE WRITTEN CONSENT OF NEXUS.

**ROJONE**  
 Australian Representatives  
**ROJONE, PTY LTD.**  
 Tel: 02 9829 1555  
 E: sales@rojone.com.au  
 www.rojone.com.au

LET.	REVISION	CN #	DATE	CHK.

DWN. BY LDE	DATE 13-Jul-09	MATERIAL	
CHECKED BY	DATE	FINISH	
APPR. BY	DATE	WEIGHT —	SCALE = 2.00 : 1
UNLESS OTHERWISE SPECIFIED DIMENSIONS ARE IN INCHES TOLERANCES ON .XX .XXX ANGLES — ±.003 ±.5°		TITLE	
		JACK, 6 PIN AUDIO, SOLDER CUP	
DO NOT SCALE DWG.		SHEET 1 OF 1	
		SIZE B	DWG. NO. AJ-166

**NEXUS**  
 STAMFORD, CONN