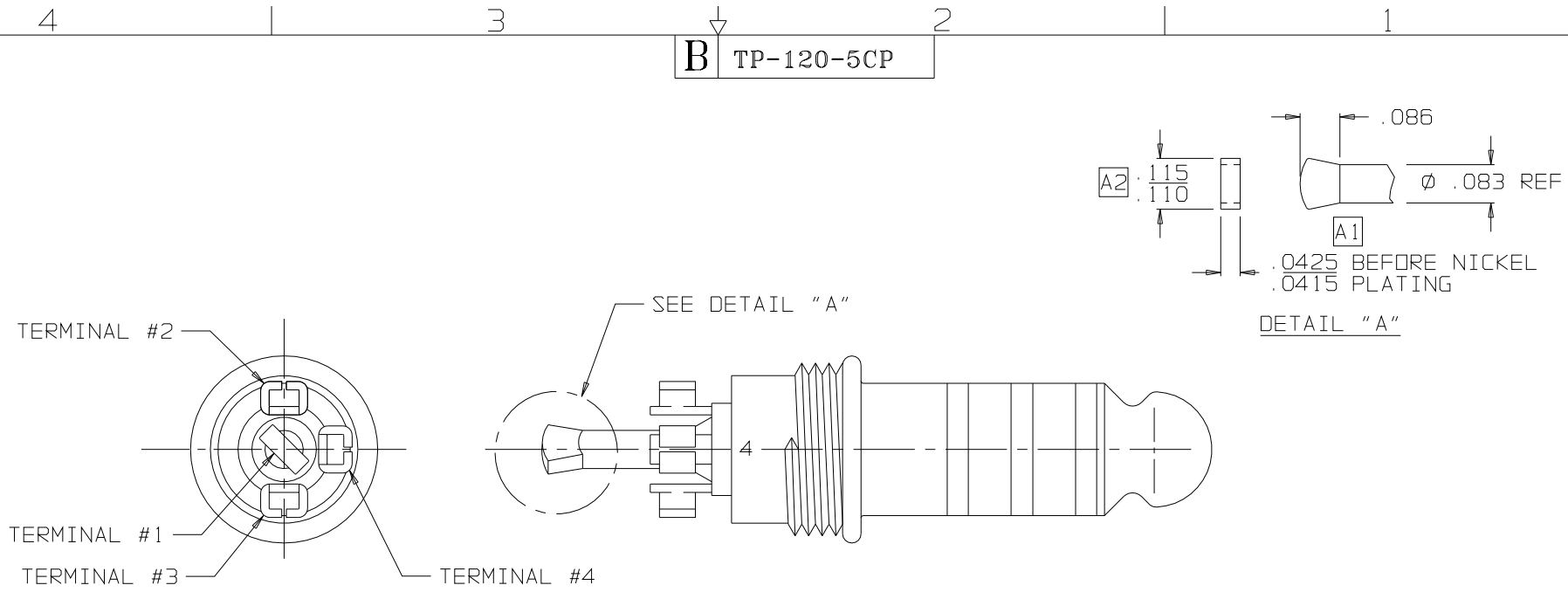


**B** TP-120-5CP



- NOTES:  
 1) MATERIAL: 1) TP-120-1 BALL CONTACT #1  
 2) TP-120-2 CONTACT #2  
 3) TP-120-3 CONTACT #3  
 4) TP-120-4 CONTACT #4  
 2) NYLON 77G33

THIS DOCUMENT CONTAINS PROPRIETARY INFORMATION OF NEXUS, INCORPORATED AND SUCH INFORMATION MAY NOT BE DISCLOSED TO OTHERS FOR ANY PURPOSE OR USED FOR ANY PURPOSE WITHOUT THE WRITTEN CONSENT OF NEXUS.

**Australian Representatives**  
**ROJONE, PTY LTD.**  
 Tel: 02 9829 1555  
 E: sales@rojone.com.au  
 www.rojone.com.au

A	INITIAL RELEASE	026	8/16/91	JAJ
LET.	REVISION	CN #	DATE	CHK.

DWN. BY	EWT	DATE	7/11/00	MATERIAL	
CHECKED BY		DATE		FINISH	N/A
		DATE		WEIGHT	SCALE 4:1
DIMENSIONS ARE IN INCHES TOLERANCES ON				TITLE	TP-120 STACK ASSEMBLY MOLDED CUSTOMER PRINT
				DO NOT SCALE DWG.	SHEET 1 OF 1
				SIZE	<b>B</b>
				DWG. NO.	TP-120-5CP