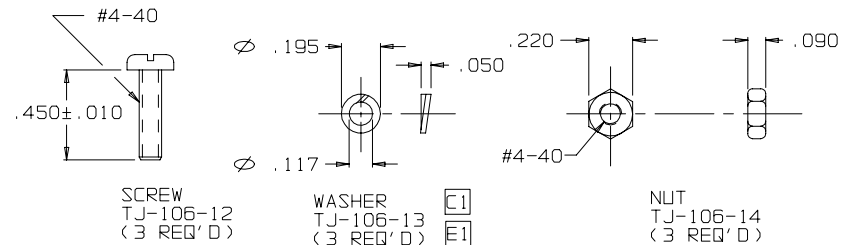
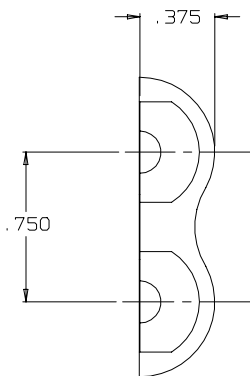
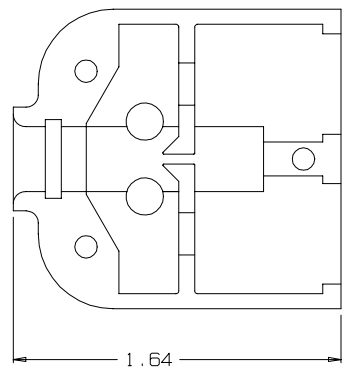
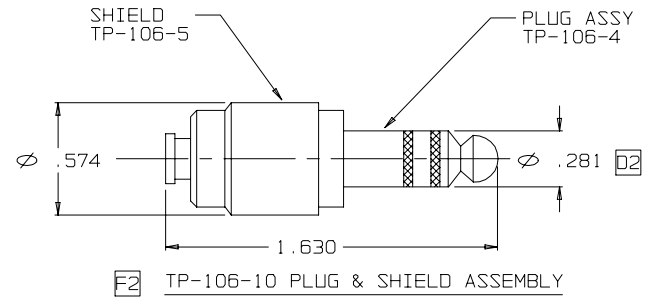
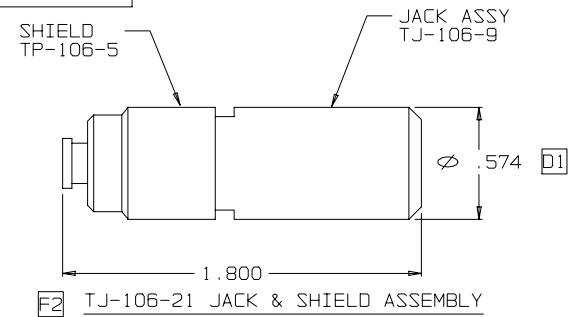
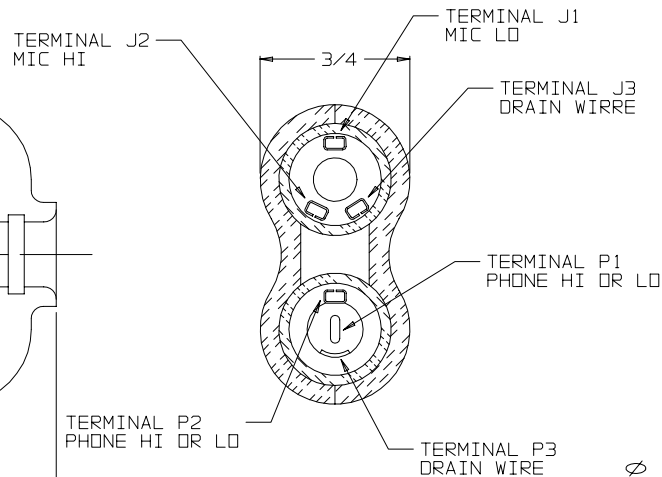
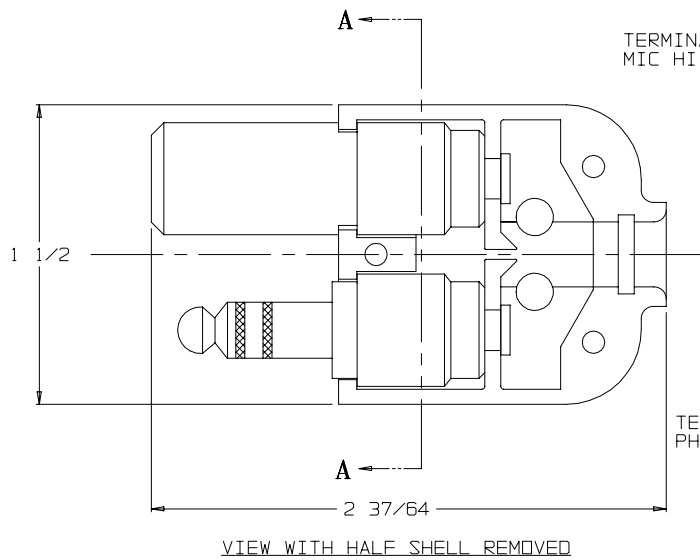
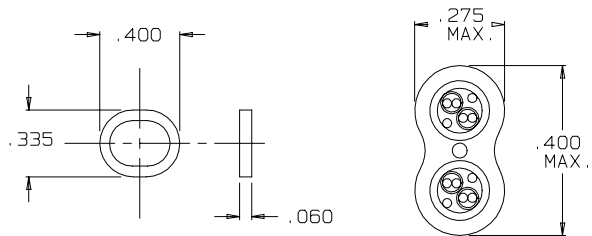
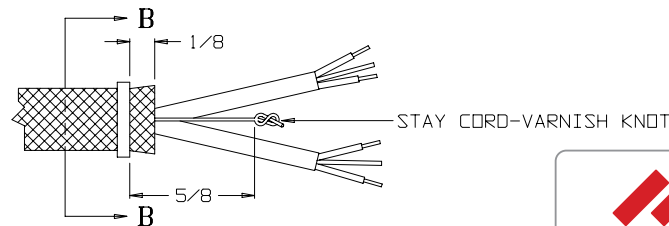


**C TP-106**



- F1** NOTES:  
 1) ALL NICKEL PLATING SHALL BE OF SUFFICIENT THICKNESS TO PROVIDE CORROSION PROTECTION.  
 (REF QQ-N-290-A, CLASS 1)  
 2) WIRING CALL OUTS ARE FOR REF ONLY



STRAIN RELIEF CLAMP TJ-106-10A AFTER CRIMPING  
SCALE: 4:1

**Australian Representatives**  
**ROJONE, PTY LTD.**  
 Tel: 02 9829 1555  
 E: sales@rojone.com.au  
 www.rojone.com.au

THIS DOCUMENT CONTAINS PROPRIETARY INFORMATION OF NEXUS, INCORPORATED AND SUCH INFORMATION MAY NOT BE DISCLOSED TO OTHERS FOR ANY PURPOSE OR USED FOR ANY PURPOSE WITHOUT THE WRITTEN CONSENT OF NEXUS.

F	2) ADDED P/N'S	240	8/13/96	LS	DWN. BY	EC	DATE	MATERIAL	SEE FIELD OF DRAWING	
E	1) MODIFIED NOTE 1&2	016	8/27/96	JRJ	CHECKED BY	RVC	DATE	FINISH	N/A	
D	2) .564 WAS .574 1) .574 WAS .547		4/17/90	RDJ	APPR. BY	L SMITH	DATE	WEIGHT	SCALE 2:1	
C	WASHER P/N WAS		4/8/96	RDJ	UNLESS OTHERWISE SPECIFIED DIMENSIONS ARE IN INCHES				TITLE	TP-106
B	ADDED SECTION B-B		8/5/96	RDJ	TOLERANCES ON FRACTIONS DECIMALS ANGLES				TITLE	PLUG-TELEPHONE-BIAXIAL SHIELDED (6) CONDUCTOR
A	REDRAWN WAS D SIZE		3/7/96	RDJ	DO NOT SCALE DWG.				SHEET	1 OF 1
LET.	REVISION	CN #	DATE	CHK.					SIZE	DWG. NO.
									<b>C</b>	<b>TP-106</b>

**NEXUS**  
**STAMFORD, CONN**