

# PROPRIETARY - NEXUS

ORDERING PART NUMBER: OMJ-101

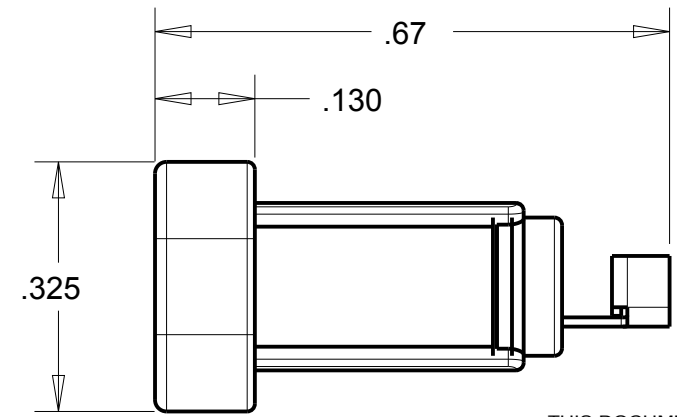
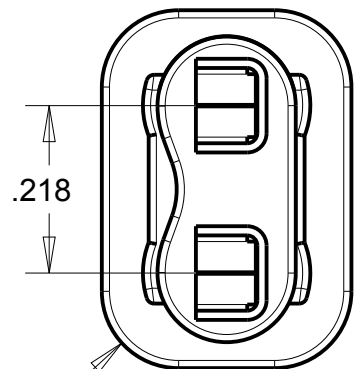
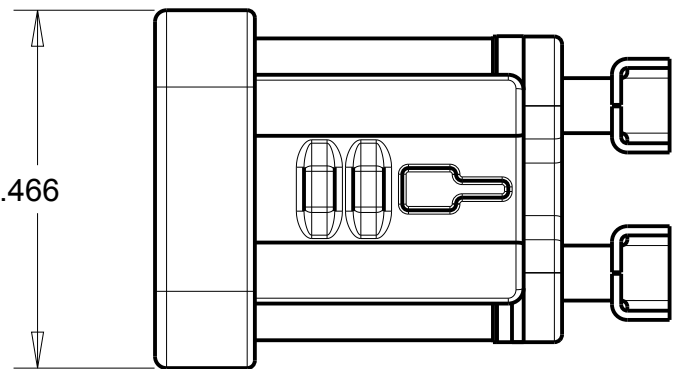
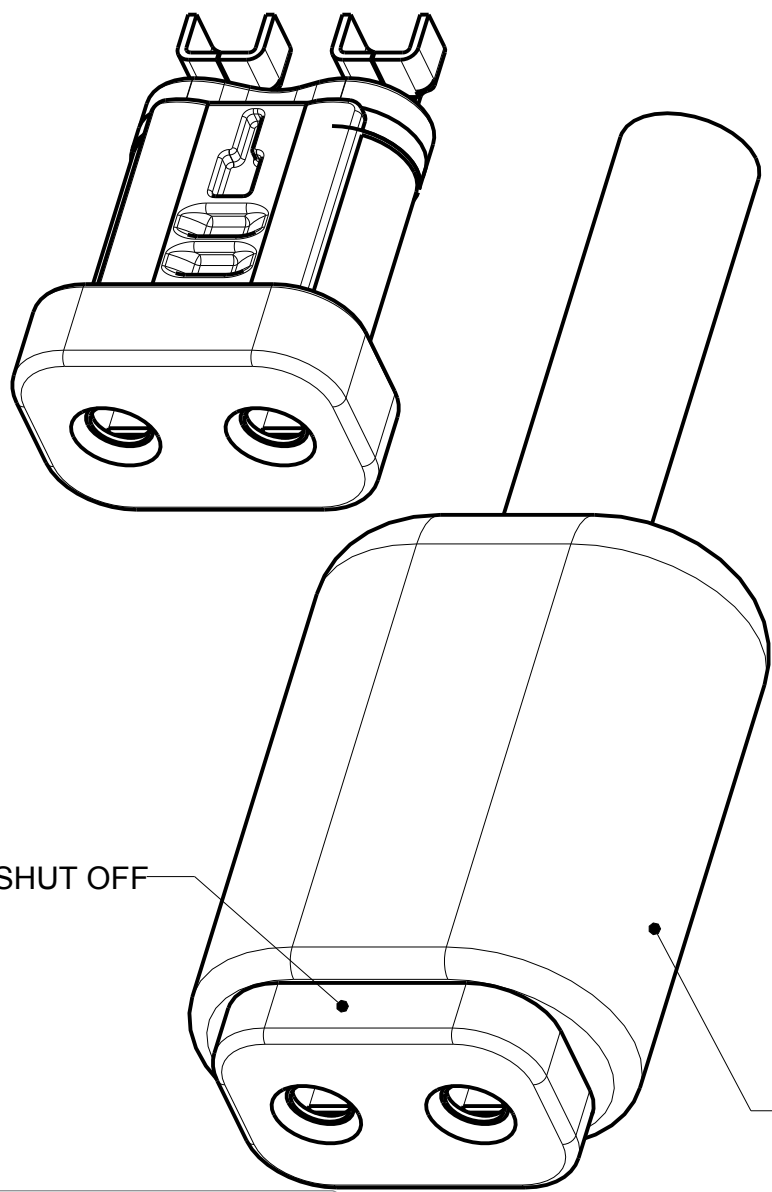
**A** OMJ-101-CO

**B**

**B**

**A**

**A**



THIS DOCUMENT CONTAINS PROPRIETARY INFORMATION OF NEXUS, INCORPORATED AND SUCH INFORMATION MAY NOT BE DISCLOSED TO OTHERS FOR ANY PURPOSE OR USED FOR ANY PURPOSE WITHOUT THE WRITTEN CONSENT OF NEXUS.

**ROJONE**  
 Australian Representatives  
 ROJONE, PTY LTD.  
 Tel: 02 9829 1555  
 E: sales@rojone.com.au  
 www.rojone.com.au

DWN.BY	<b>LDE</b>	DATE	15-Jan-09
CHECKED BY		DATE	
APPR.BY		DATE	
UNLESS OTHERWISE SPECIFIED: DIMENSIONS ARE IN INCHES &/OR (mm)			
TOLERANCES: DECIMAL: .XX[X.X] .XXX[X.XX] ± .01[0.3] ± .003[0.08]			
FRACTION: XX	ANGLES: X		
± 1/64	± .5		

MATERIAL	
FINISH	
WEIGHT	SCALE = 4.00 :1
TITLE	
<b>MICROPHONE JACK -OM</b>	
ORDERING PART NUMBER: OMJ-101	
DO NOT SCALE DWG.	SHEET 1 OF 1

<b>NEXUS</b>	
STAMFORD, CONN	
SIZE	DWG. NO.
<b>A</b>	<b>OMJ-101-CO</b>

C	UPDATE DIMS	089	11/29 2010	HR
B	WAS .320	021	8/15 2009	
A	RELEASE		1/15 2009	
LET.	REVISION	CN #	DATE	CHK.