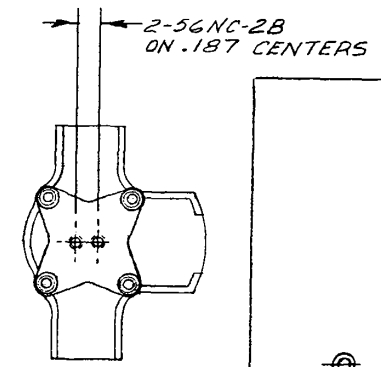
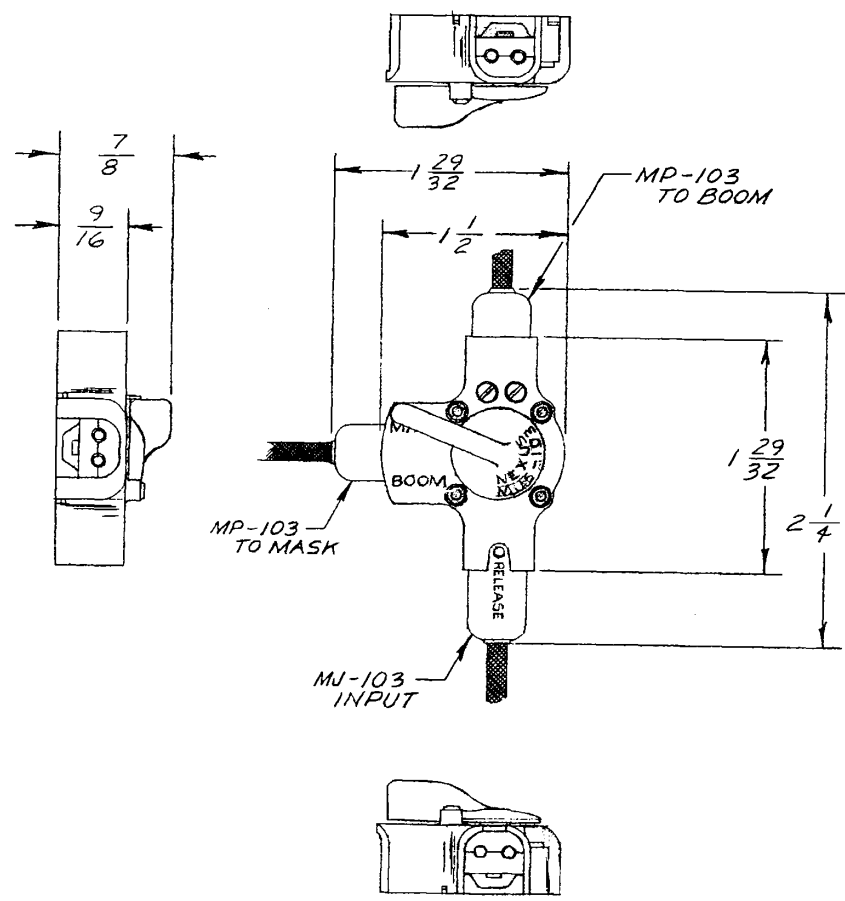


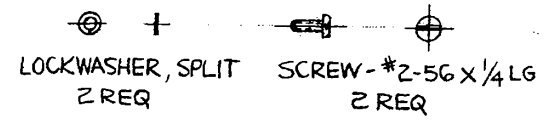
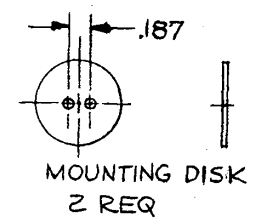
B MJS-103

NOTES:

1. MATING CONNECTORS (MJ-103 & MP-103) ARE NOT SUPPLIED WITH THIS ASSEMBLY - SHOWN FOR REFERENCE ONLY.
2. BOOM PLUG IS SECURED TO SWITCH ASSEMBLY BY (2) SET SCREWS. MASK PLUG IS SECURED TO SWITCH ASSEMBLY BY SPRING DETENTS - EXTRACTION FORCE IS 4 TO 8 POUNDS.
3. HI/LOW MICROPHONE CONTACTS ARE SWITCHED BY MOVEMENT OF LEVER, GROUND CONTACTS ARE NOT SWITCHED.



BOTTOM VIEW  
MTG. BRACKET



TO ASSEMBLE NEXUS MJS-103 SWITCH TO A SPH-4 HELMET USE ALL HARDWARE SHOWN ABOVE. FAILURE TO USE LOCKWASHERS & 2 DISKS MAY CAUSE SWITCH TO JAM.



**Australian Representatives**  
**ROJONE, PTY LTD.**  
 Tel: 02 9829 1555  
 E: sales@rojone.com.au  
 www.rojone.com.au

A	ADDED MOUNTING PAGES	0-3-06
LET	REVISION	DATE

OWN. BY EC	DATE 5/27/84	MATERIAL	
CHECKED BY		FINISH	
APPR. BY WHT	5/30/84	WEIGHT	SCALE 1:1
UNLESS OTHERWISE SPECIFIED		TITLE	
DIMENSIONS ARE TO UNLESS		SELECTOR SWITCH, MICROPHONE - BOOM/MASK	
TOLERANCES ON		SIZE	
FRACTIONS DECIMALS ANGLES		DWG. NO.	
DO NOT SCALE DWG.		SHEET 1 OF 1	
		B MJS-103	