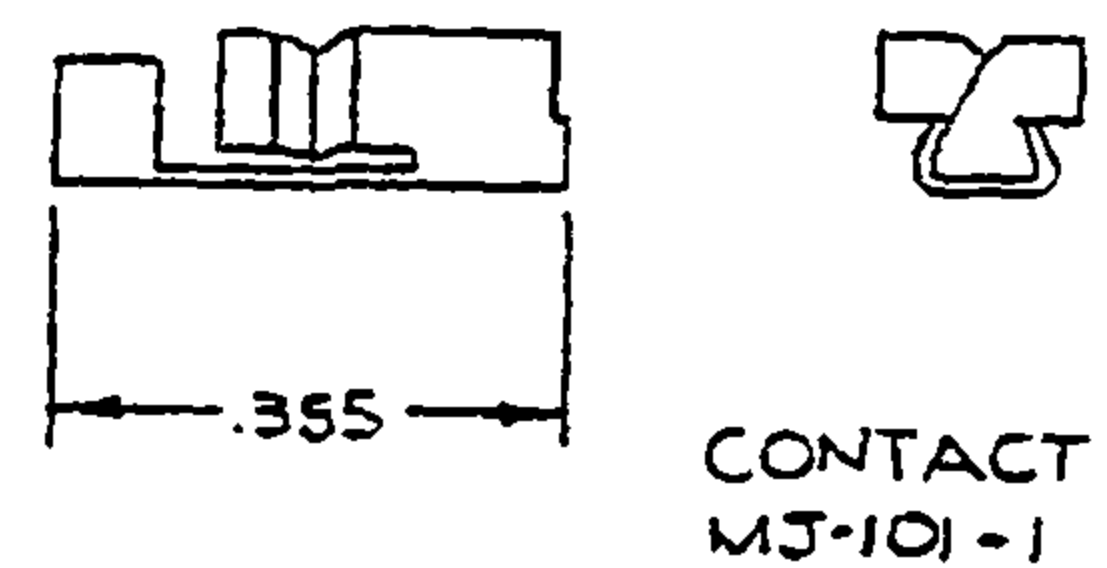
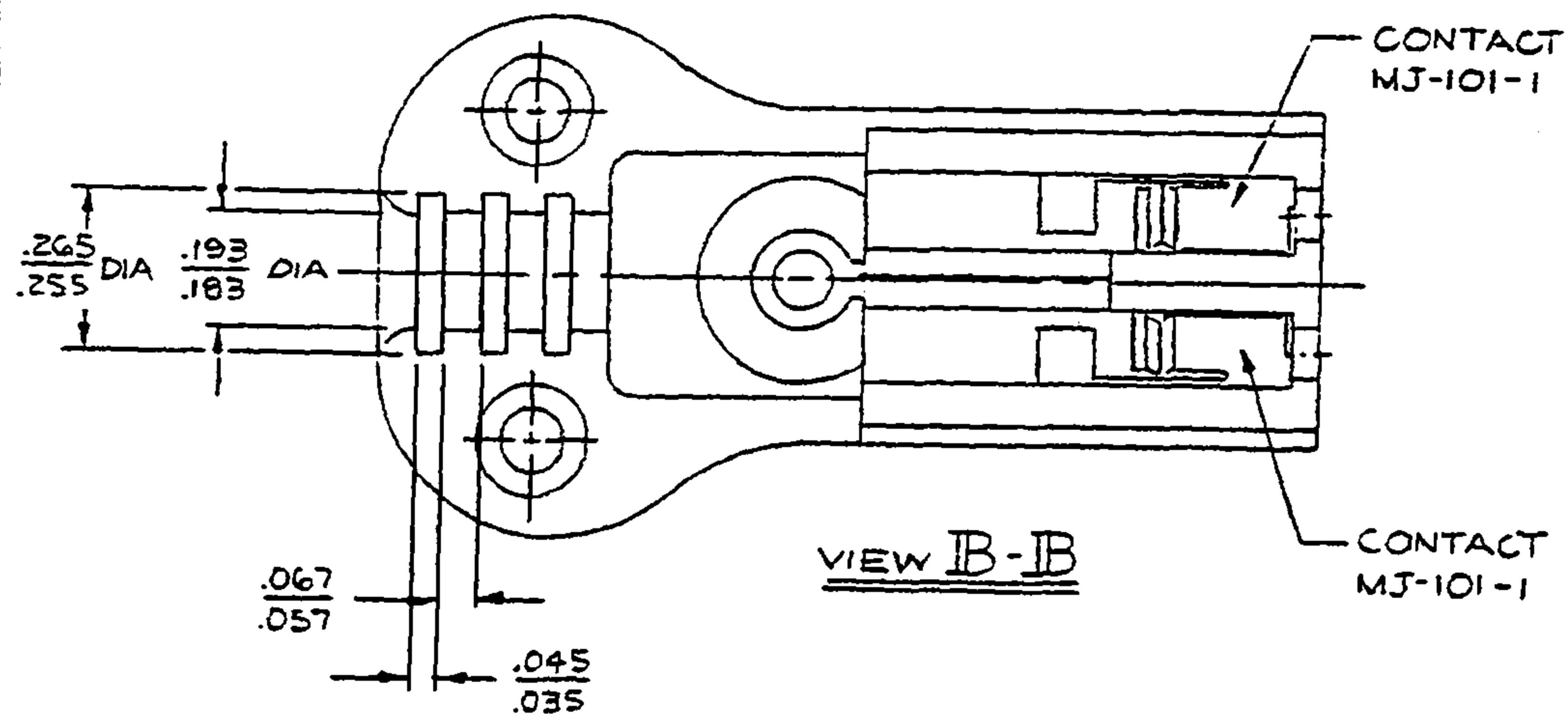
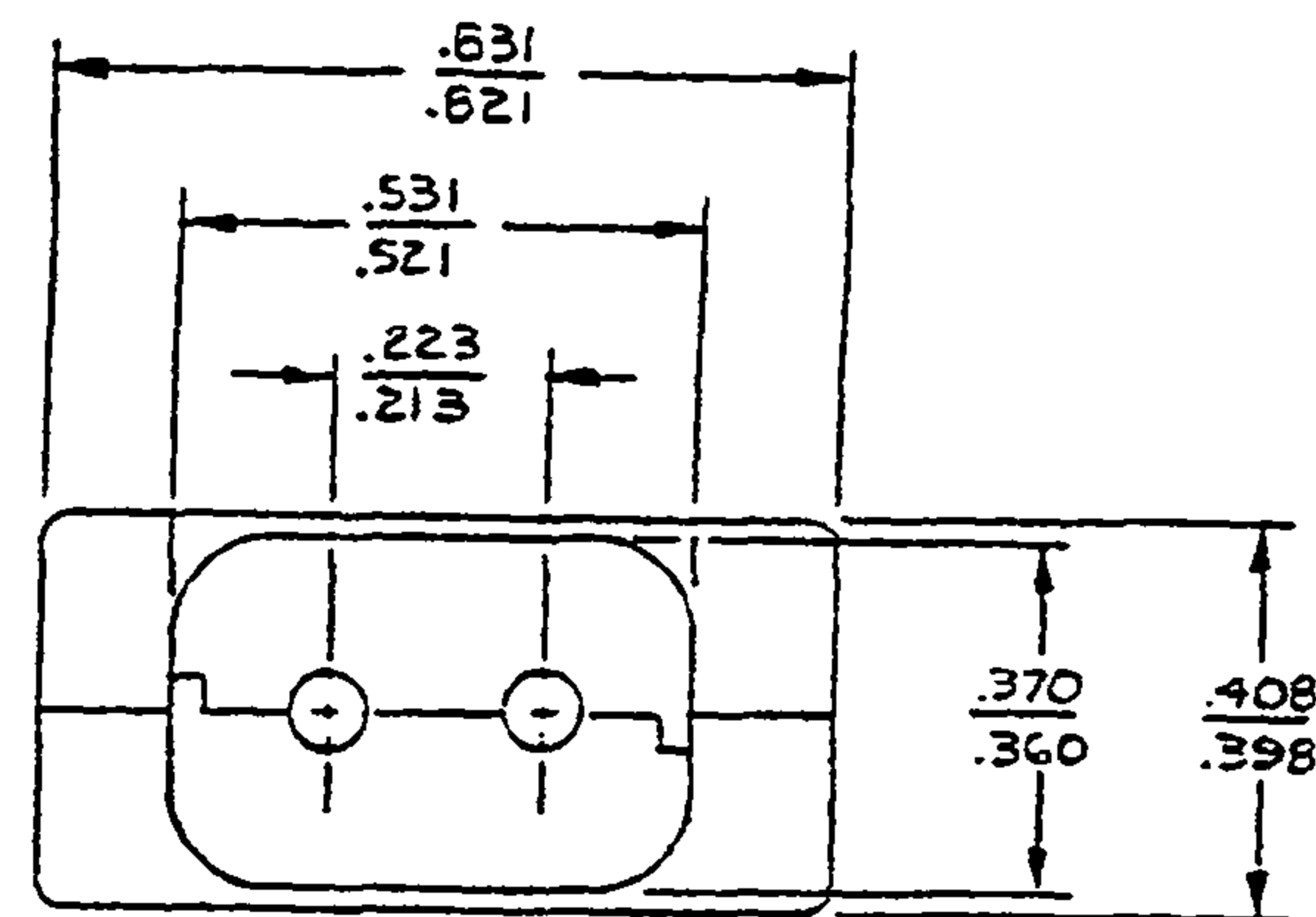
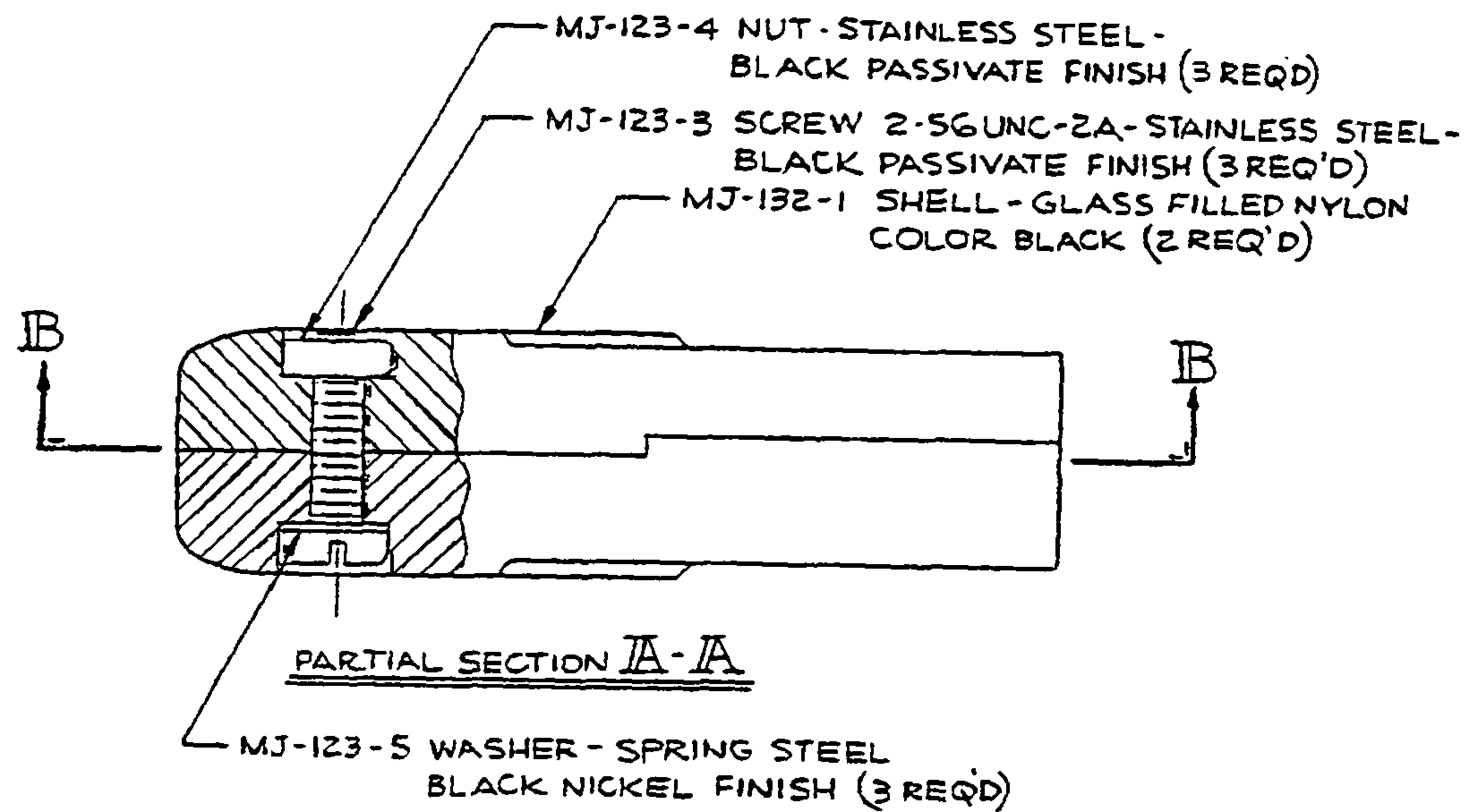


THIS DOCUMENT CONTAINS PROPRIETARY INFORMATION OF NEXUS, INCORPORATED AND SUCH INFORMATION MAY NOT BE DISCLOSED TO OTHERS FOR ANY PURPOSE OR USED FOR ANY PURPOSE WITHOUT THE WRITTEN CONSENT OF NEXUS.



ROJONE

Australian Representatives
ROJONE, PTY LTD.
Tel: 02 9829 1555
E: sales@rojone.com.au
www.rojone.com.au

DATE	12-21-05	MATERIAL	
ENTERED BY		FINISH	
APP'D BY		WEIGHT	15CALC
UNLESS OTHERWISE SPECIFIED DIMENSIONS ARE IN INCHES TOLERANCES UNLESS OTHERWISE SPECIFIED		TITLE	NEXUS STAMFORD, CONN.
		MICROPHONE JACK 2 CONDUCTOR	REV. NO.
		DO NOT SCALE Dwg. 13HEE*	C MJ-132

CMJ-132