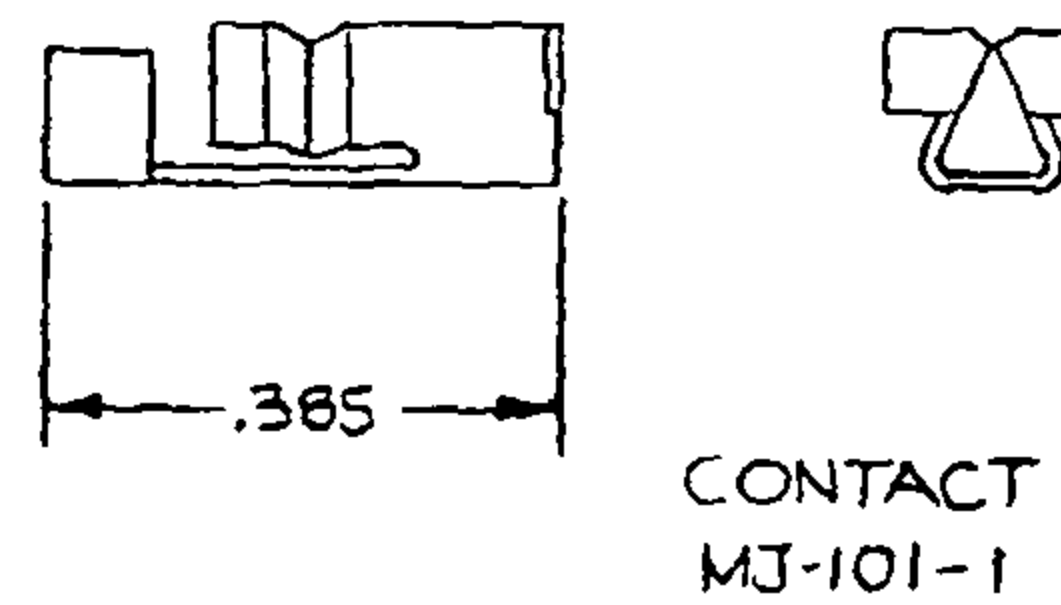
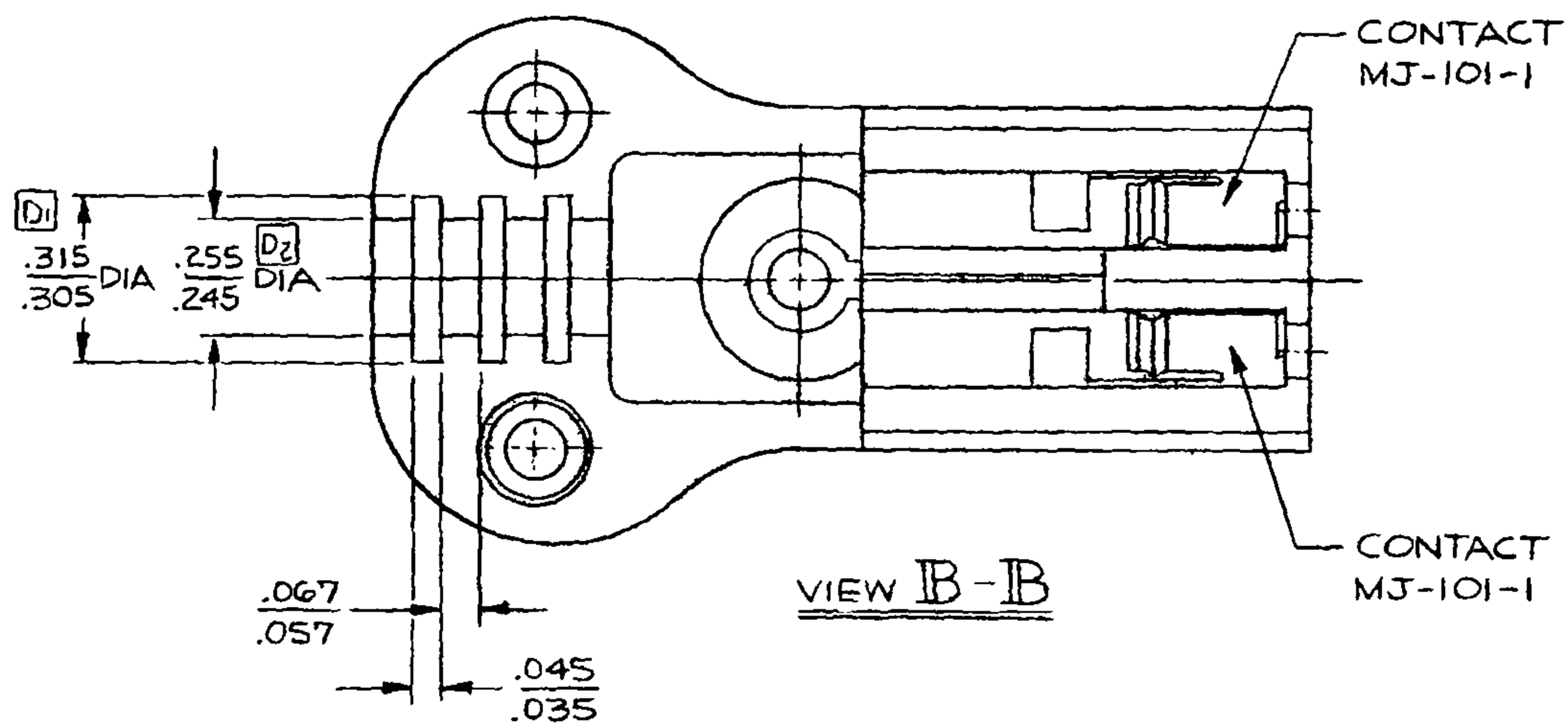
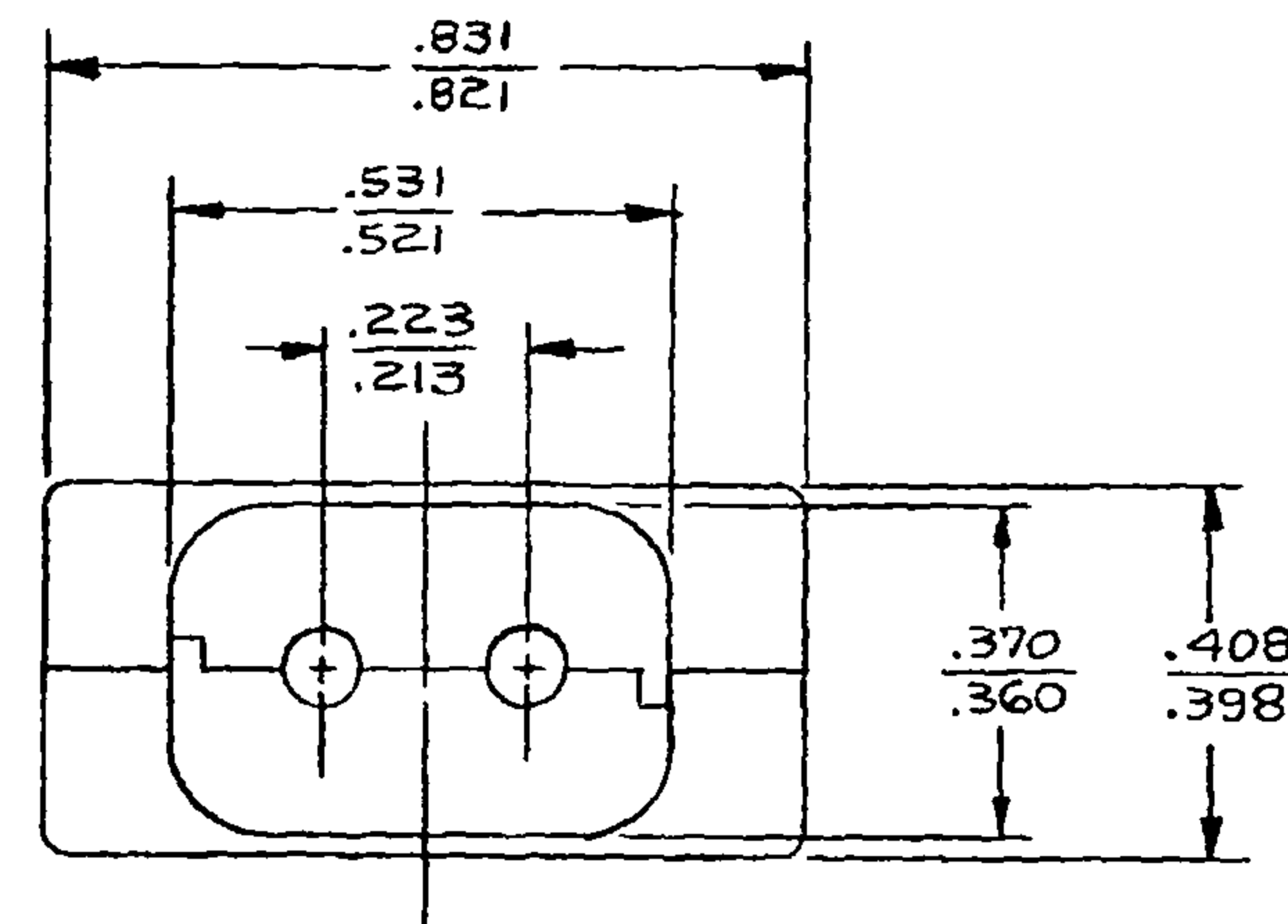
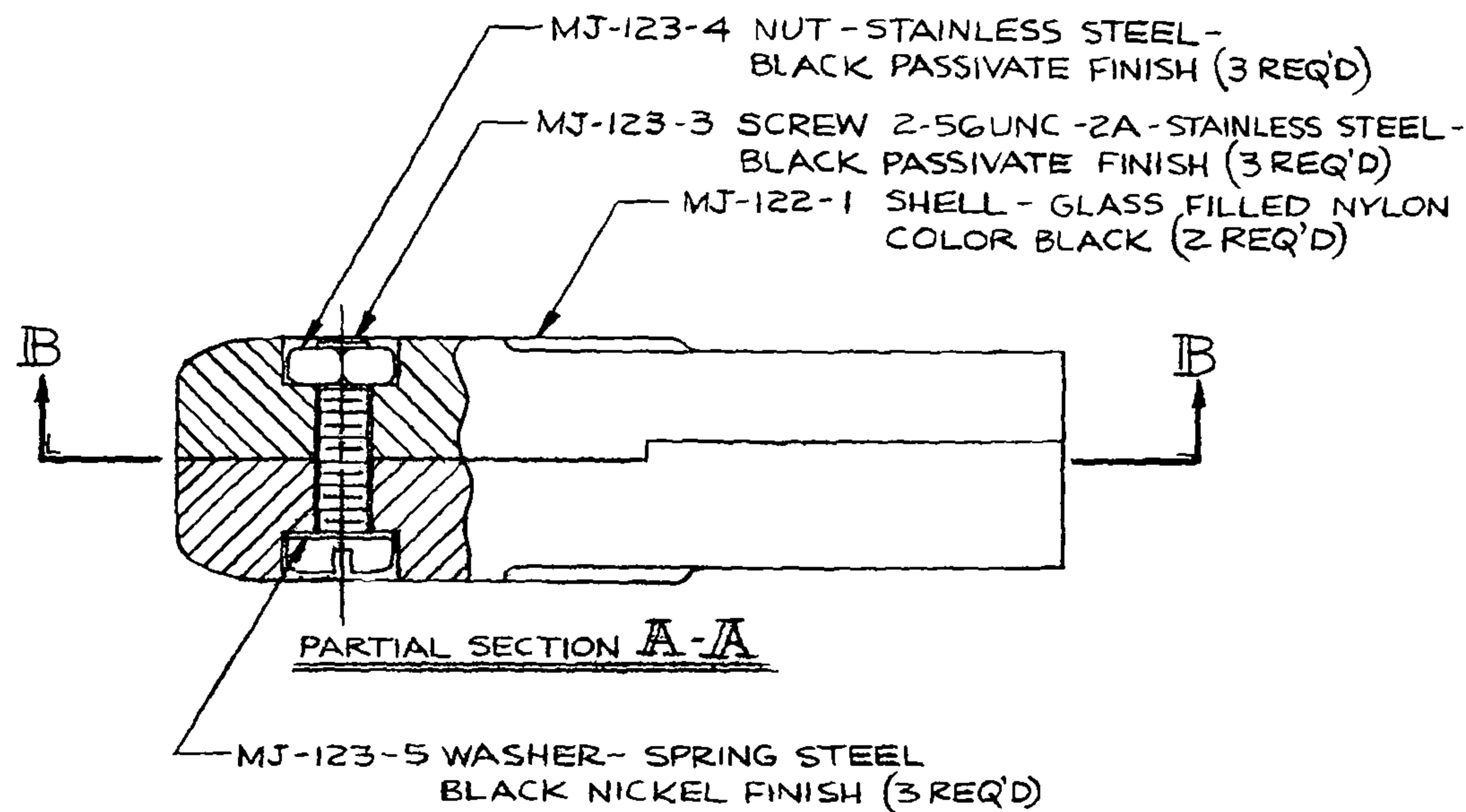
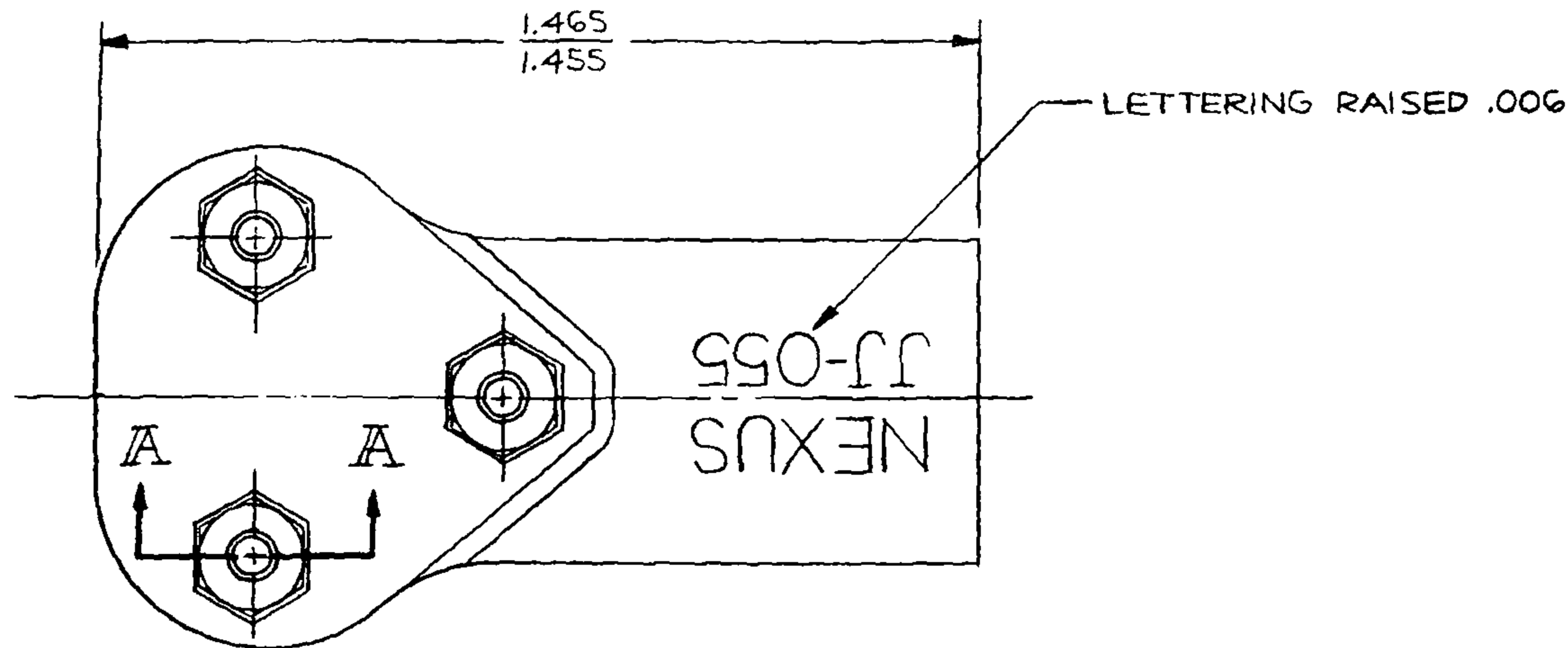




Australian Representatives
ROJONE, PTY LTD.
 Tel: 02 9829 1555
 E: sales@rojone.com.au
 www.rojone.com.au



DWN. BY: 1DH		DATE: 10-2-85		MATERIAL:	
CHECKED BY:				FINISH:	
APPR. BY:				WEIGHT:	
				SCALE 4:1	
				TITLE:	
				MICROPHONE JACK	
				2 CONDUCTOR	
				DO NOT SCALE DWG.	
				SHEET OF	
UNLESS OTHERWISE SPECIFIED		DIMENSIONS ARE IN INCHES		TOLERANCES ON	
FRACTIONS		DECIMALS		ANGLES	
D		2) .255/.245 WAS .189/.179		12/6/83	
1) .315/.305 WAS .265/.255					
C		REDRAWN - CONTACT CHANGED		10-2-85	
LET.	REVISION	DATE	CHK.	NEXUS	
				STAMFORD, CONN.	
				DWN. NO.	
				C MJ-122	

C MJ-122