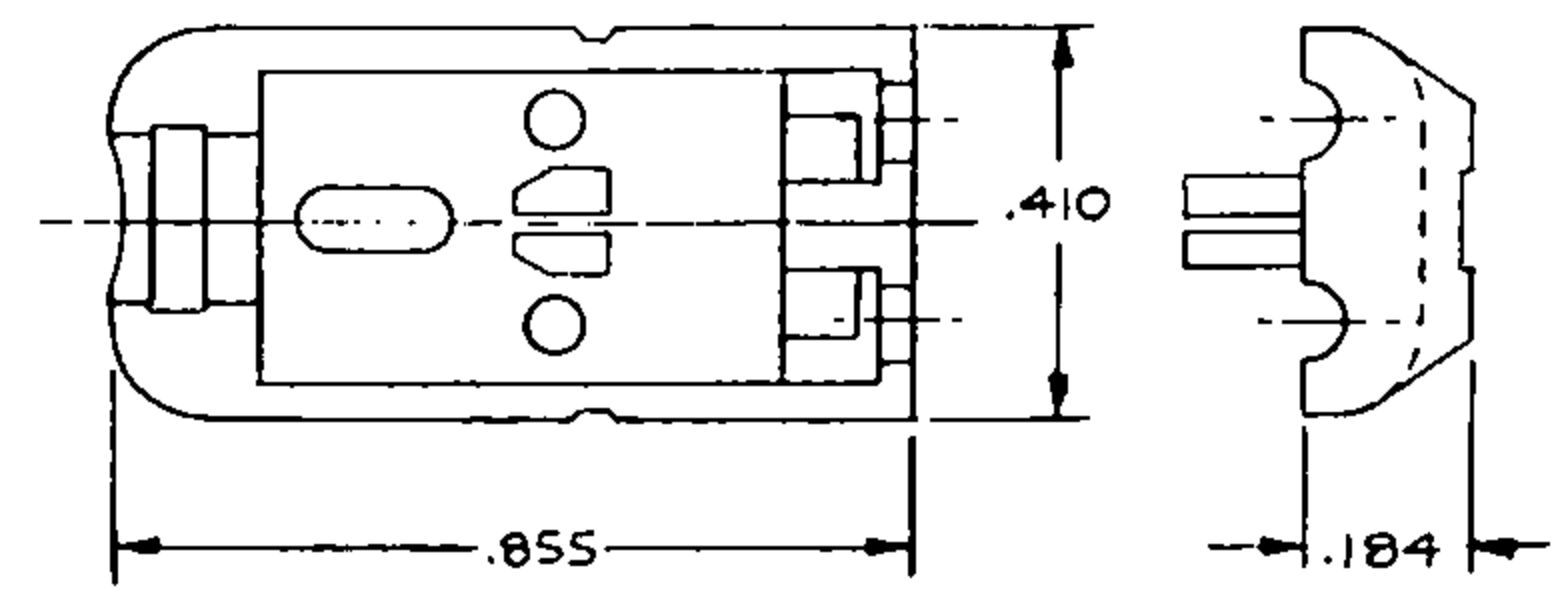
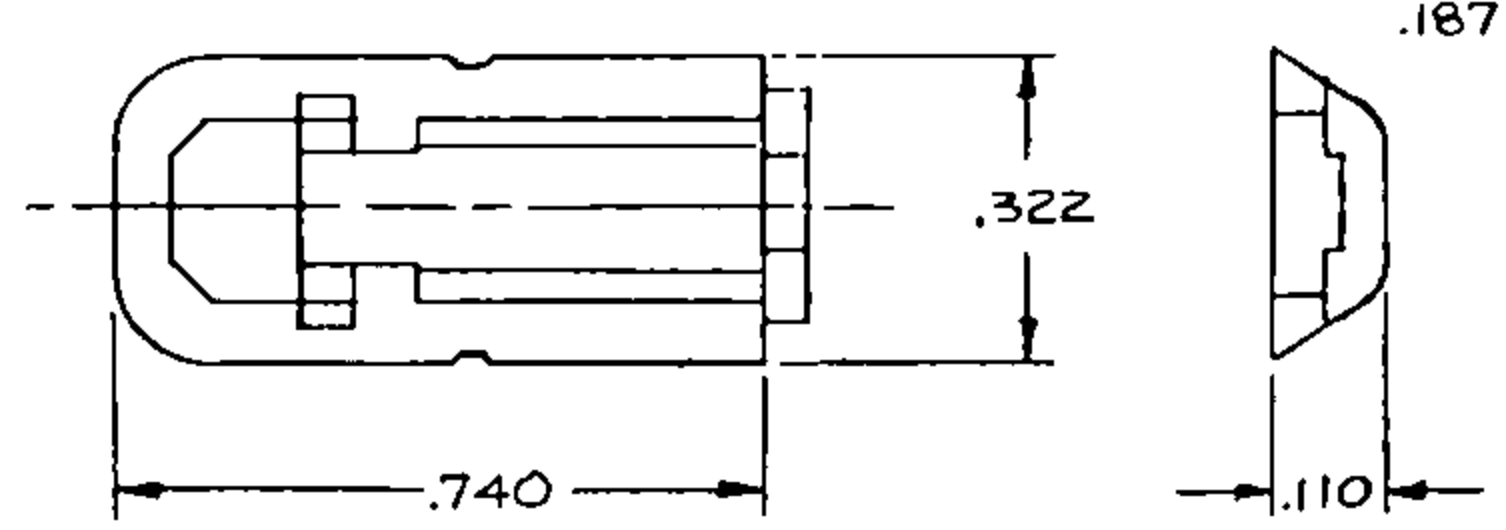


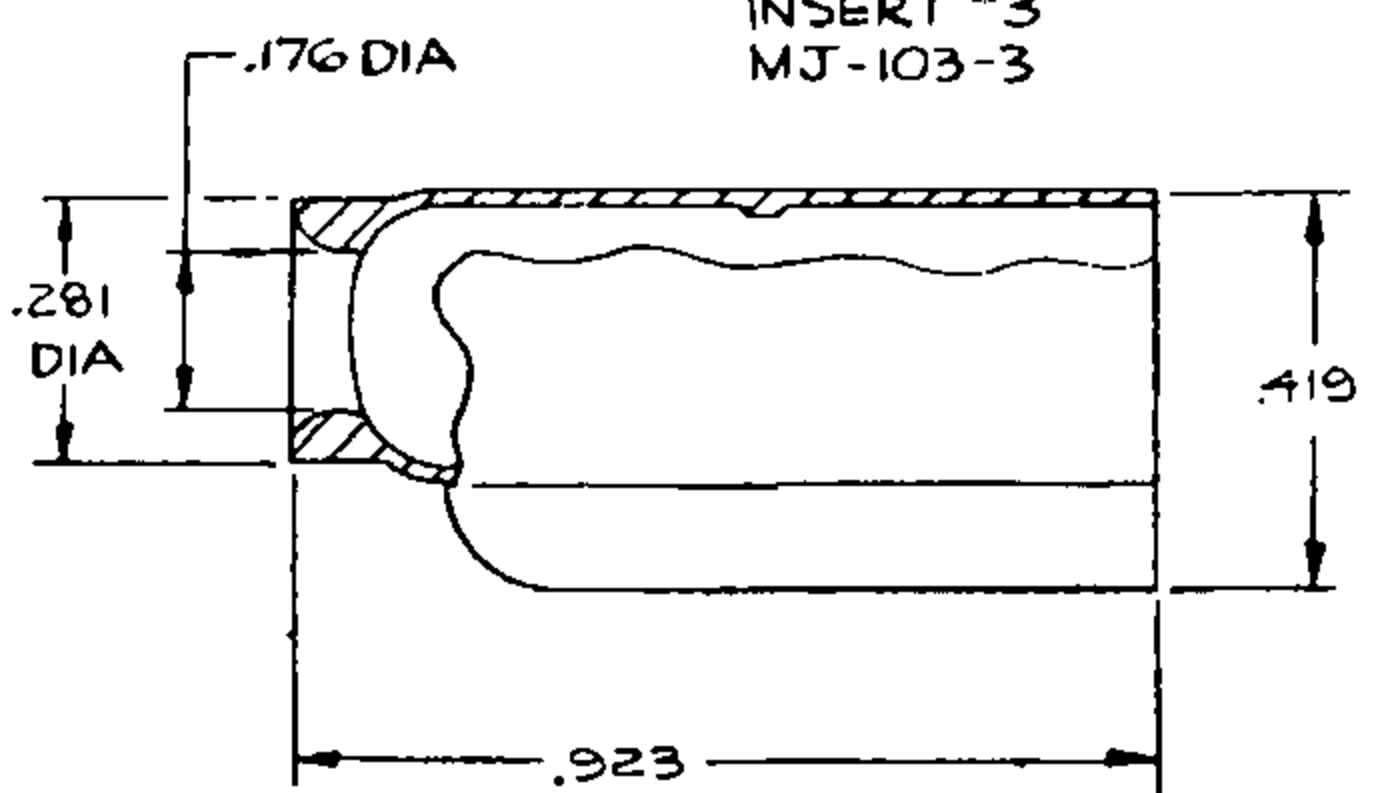
INSERT #1
MJ-113-1



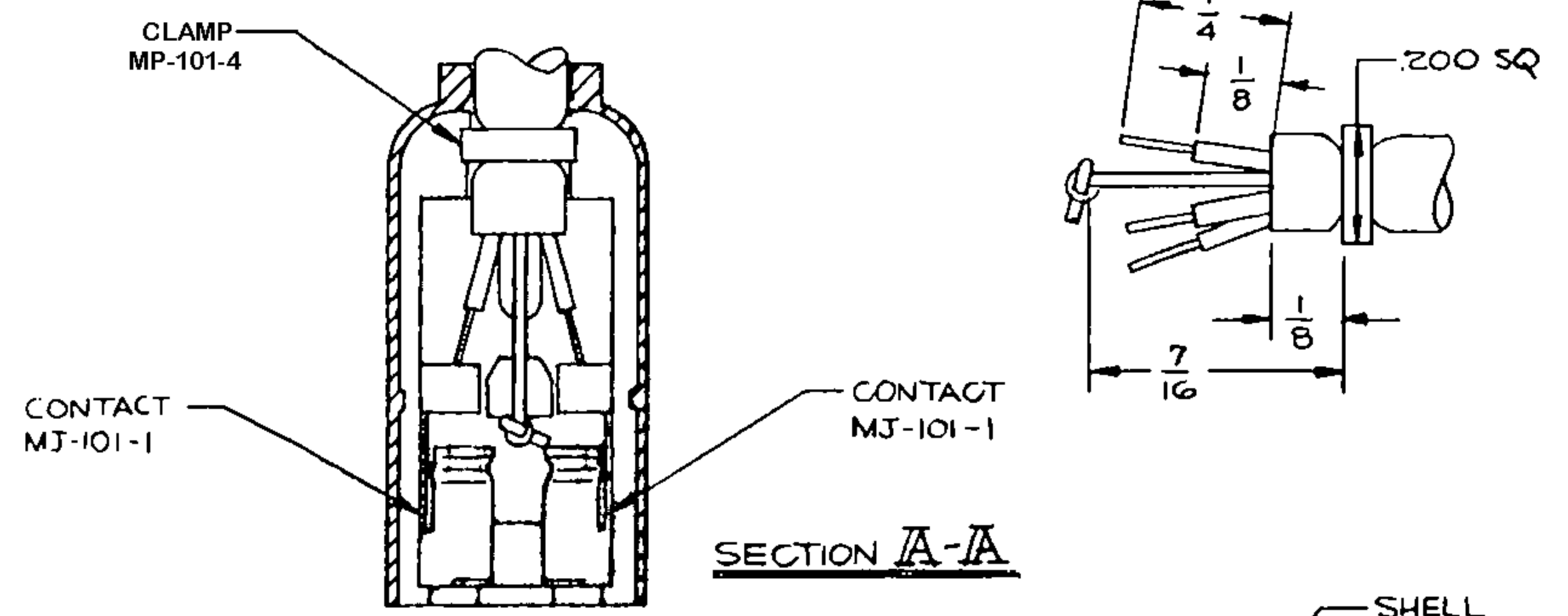
INSERT #2
MJ-113-2



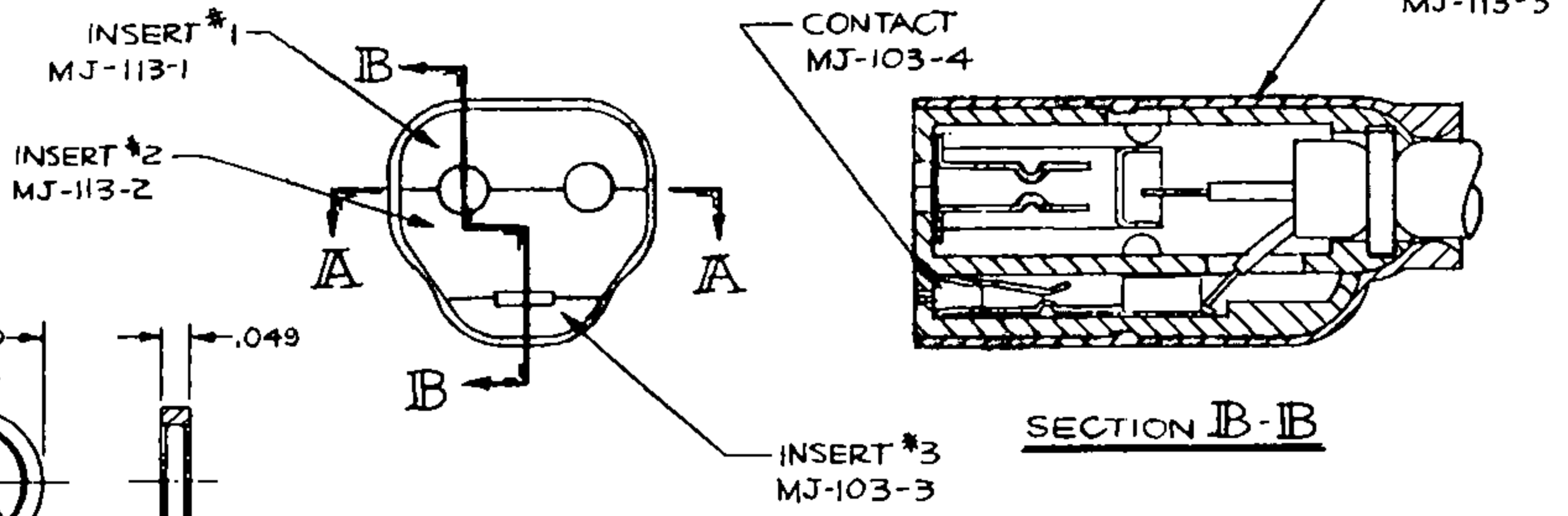
INSERT #3
MJ-103-3



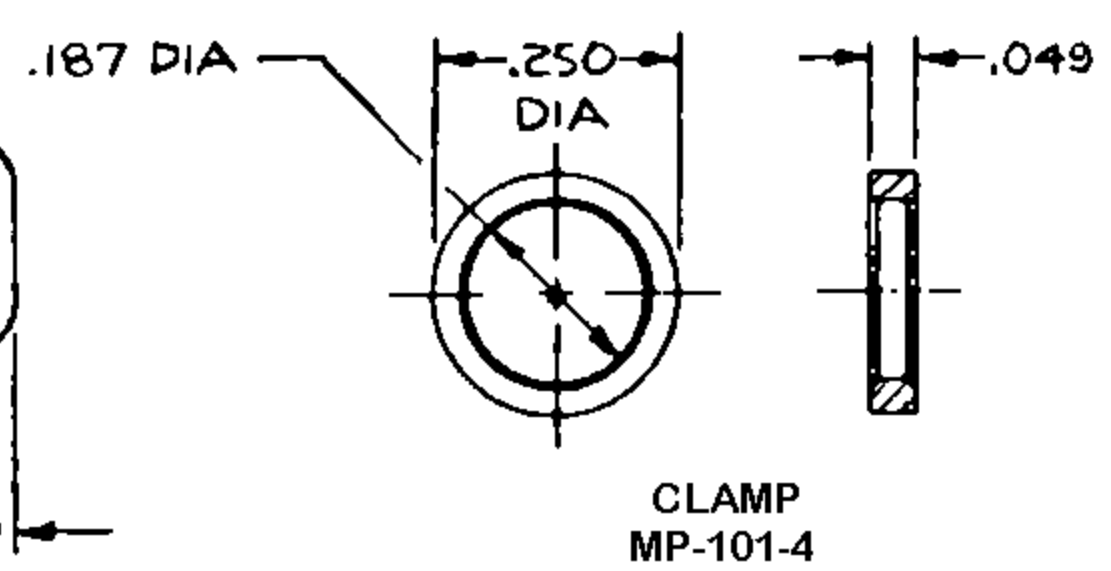
SHELL
MJ-113-3



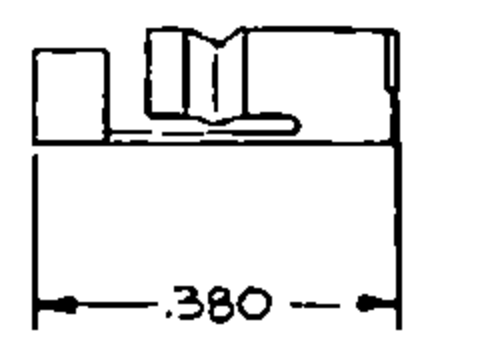
SECTION A-A



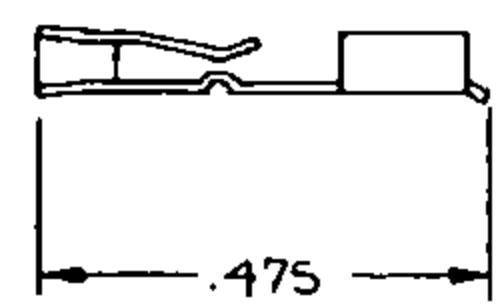
SECTION B-B



CLAMP
MP-101-4



CONTACT
MJ-101-1
(295B.)



CONTACT
MJ-103-4

C MJ-113

ROJONE
Australian Representatives
ROJONE, PTY LTD.
Tel: 02 9829 1555
E: sales@rojone.com.au
www.rojone.com.au

DRW. BY IDH	DATE 8-27-85	MATERIAL ~
CHECKED BY		FINISH ~
APPR. BY		WEIGHT ~
UNLESS OTHERWISE SPECIFIED DIMENSIONS ARE IN INCHES TOLERANCES UNLESS OTHERWISE SPECIFIED		SCALE 4:1
FRACTIONS DECIMALS ANGLES ± .005 ± .005 ~		TITLE MICROPHONE JACK
LET.	REVISION	DATE CHG.
DO NOT SCALE DWG.		SHEET 1 OF 1
NEXUS STAMFORD, CONN.		SIZE DRG. NO. C MJ-113