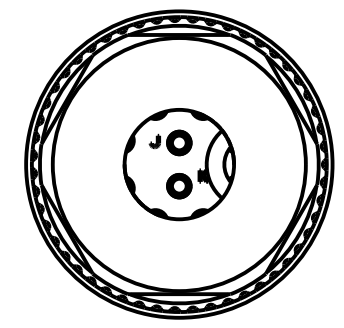
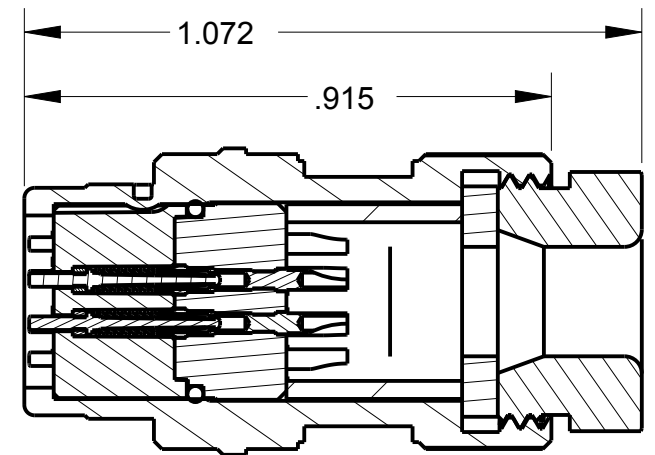
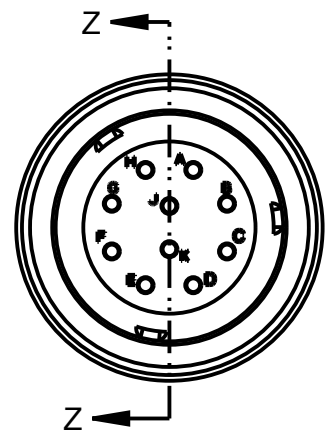
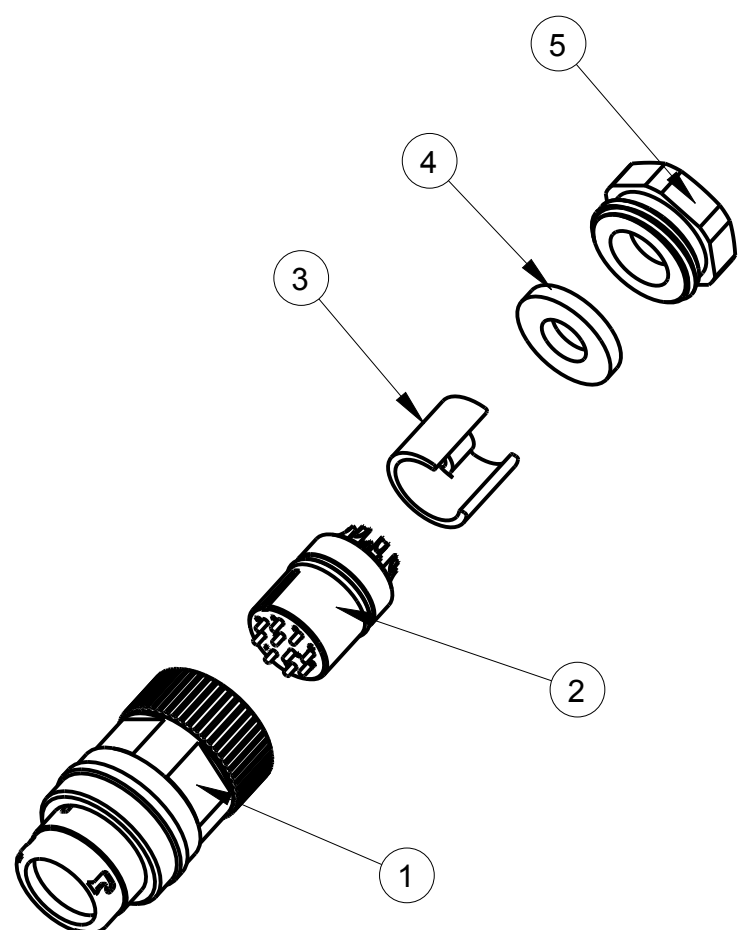
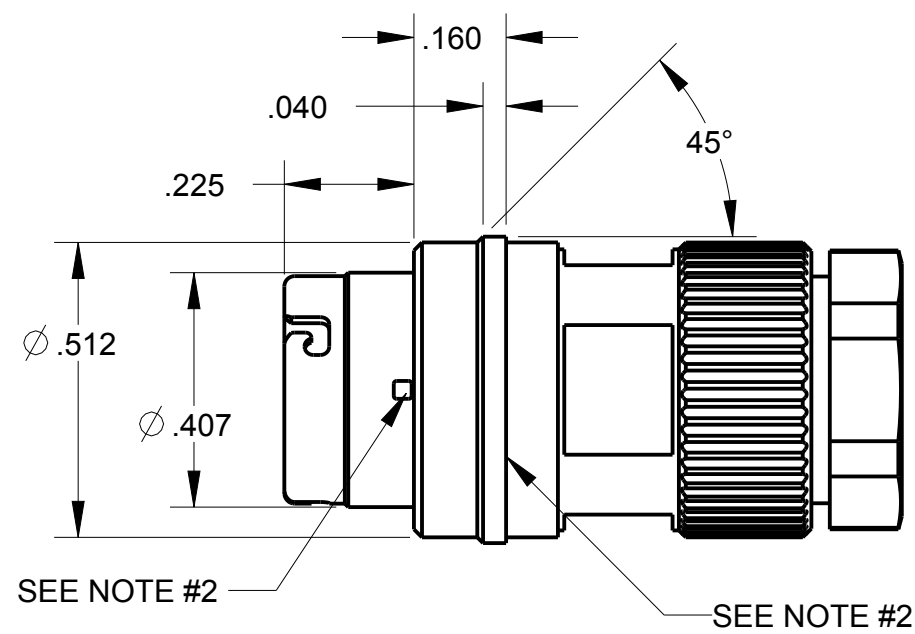


ITEM #	PART #	QTY	DESCRIPTION
1	MAJ-60-12	1	OM PLUG HOUSING
2	MAJ-60-01	1	JACK INSERT, 10 COND
3	MAP-60-06	1	STRAIN RELIEF
4	MAP-60-07	1	WASHER, RUBBER
5	MAP-60-10	1	NUT, OM ADAPTER

B MAJ-60-50



SECTION Z-Z

THIS DOCUMENT CONTAINS PROPRIETARY INFORMATION OF NEXUS, INCORPORATED AND SUCH INFORMATION MAY NOT BE DISCLOSED TO OTHERS FOR ANY PURPOSE OR USED FOR ANY PURPOSE WITHOUT THE WRITTEN CONSENT OF NEXUS.

NOTES:
 1) OVERMOLD SHUTOFF SURFACE
 2) ORANGE ALIGNMENT DIMPLE

Australian Representatives
ROJONE, PTY LTD.
 Tel: 02 9829 1555
 E: sales@rojone.com.au
 www.rojone.com.au

A	NEW RELEASE		8/15 2011	HR	
LET.	REVISION	CN #	DATE	CHK.	

DWN.BY	DATE Aug-15-11	MATERIAL	
CHECKED BY	DATE	FINISH	
APPR.BY	DATE	WEIGHT —	SCALE = 2.00 :1
UNLESS OTHERWISE SPECIFIED: DIMENSIONS ARE IN INCHES &/OR (mm)		TITLE	
TOLERANCES: DECIMAL: .XX[X.X] .XXX[X.XX] ± .01[0.3] ± .003[0.08]		10-COND OM RECEPTACLE Ø .185 CABLE	
FRACTION: X/X ± 1/64		DO NOT SCALE DWG. SHEET 1 OF 1	
ANGLES: .X ± .5°		SIZE B	DWG. NO. MAJ-60-50

NEXUS
STAMFORD, CONN