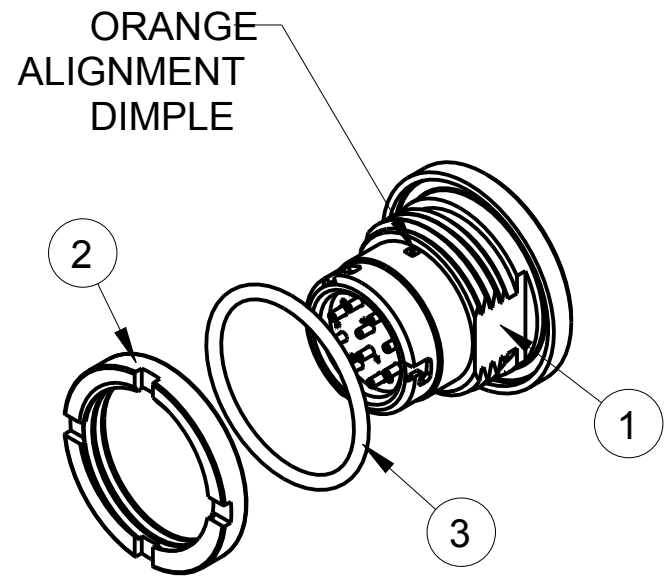
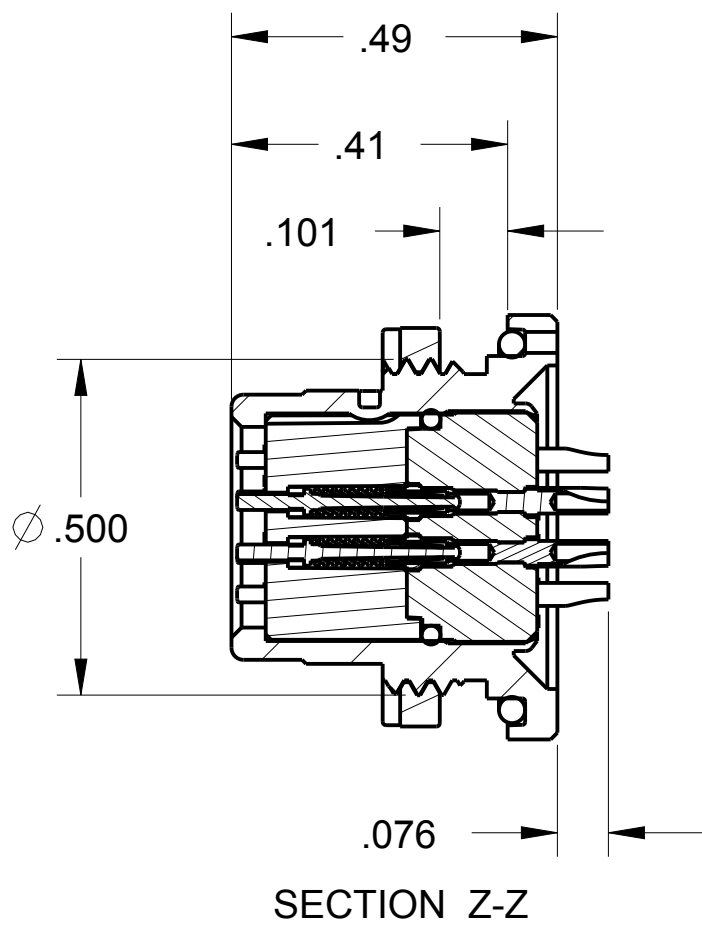
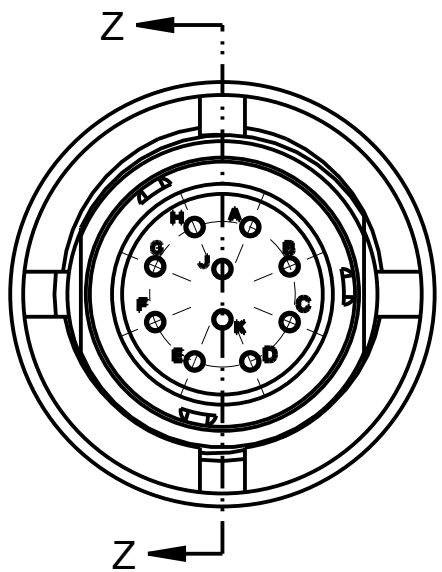
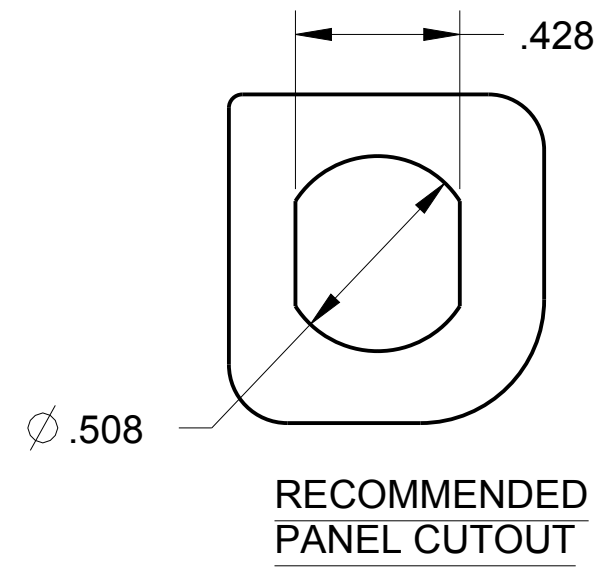


ITEM #	PART #	QTY	DESCRIPTION
1	MAJ-60-07	1	INSERT ASSY, RECEPTACLE
2	MAJ-60-05	1	NUT, (PM-MA)
3	MAJ-60-16	1	O-RING, PANEL MOUNT

**B** MAJ-60-00



THIS DOCUMENT CONTAINS PROPRIETARY INFORMATION OF NEXUS, INCORPORATED AND SUCH INFORMATION MAY NOT BE DISCLOSED TO OTHERS FOR ANY PURPOSE OR USED FOR ANY PURPOSE WITHOUT THE WRITTEN CONSENT OF NEXUS.

**ROJONE**  
Australian Representatives  
**ROJONE, PTY LTD.**  
Tel: 02 9829 1555  
E: sales@rojone.com.au  
www.rojone.com.au

LET.	REVISION	CN #	DATE	CHK.
A	NEW RELEASE		5/2 2012	HR

DWN.BY <b>HR</b>	DATE 23-May-11	MATERIAL	
CHECKED BY	DATE	FINISH	
APPR.BY	DATE	WEIGHT —	SCALE = 2.00 :1
UNLESS OTHERWISE SPECIFIED DIMENSIONS ARE IN INCHES TOLERANCES ON		TITLE <b>10 COND RECEPTACLE PANEL MOUNT</b>	
.XX	.XXX		
—	±.003	±.5°	DO NOT SCALE DWG.
		SHEET 1 OF 1	
		NEXUS STAMFORD, CONN	
		SIZE <b>B</b>	DWG. NO. <b>MAJ-60-00</b>