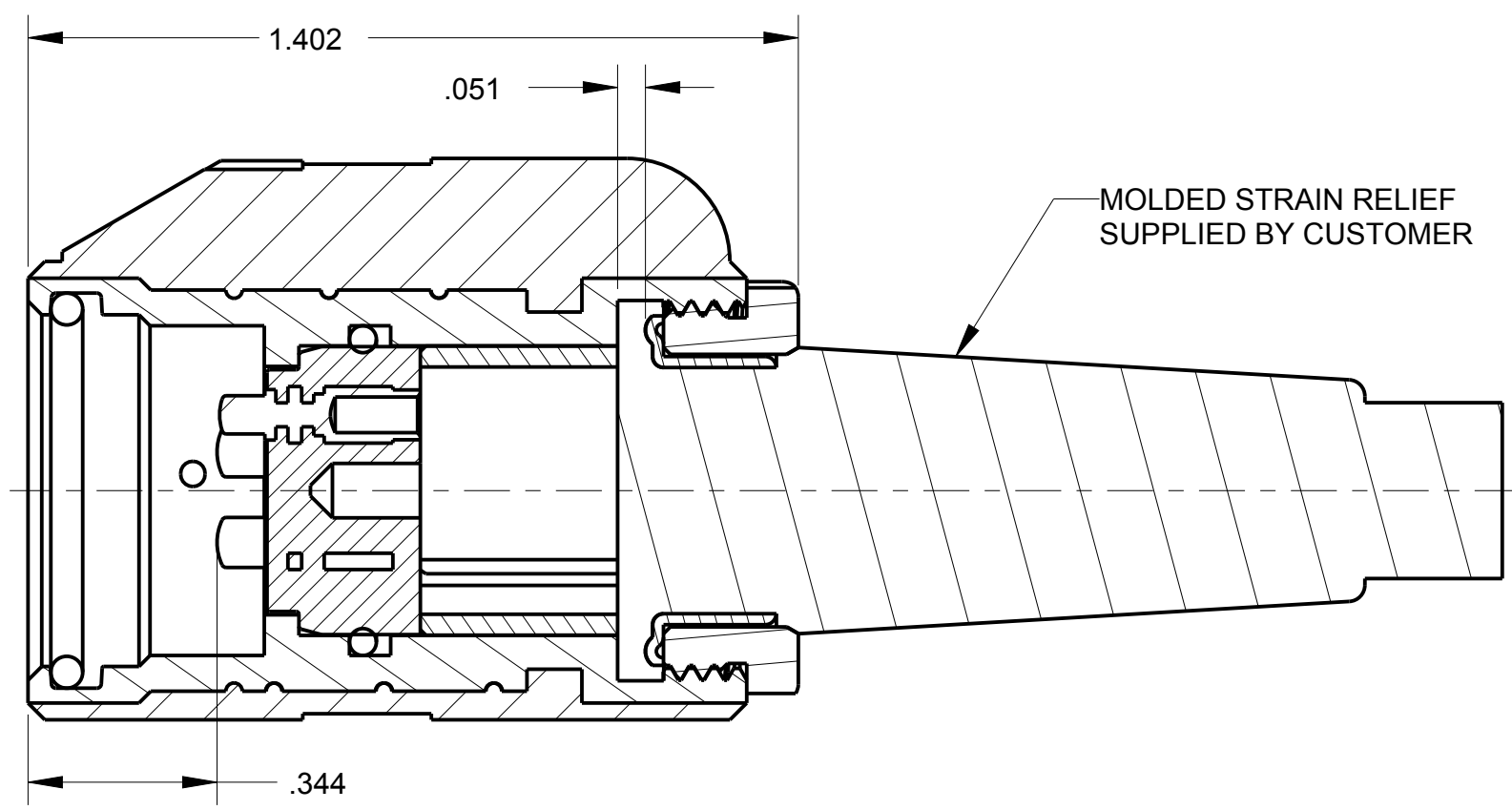
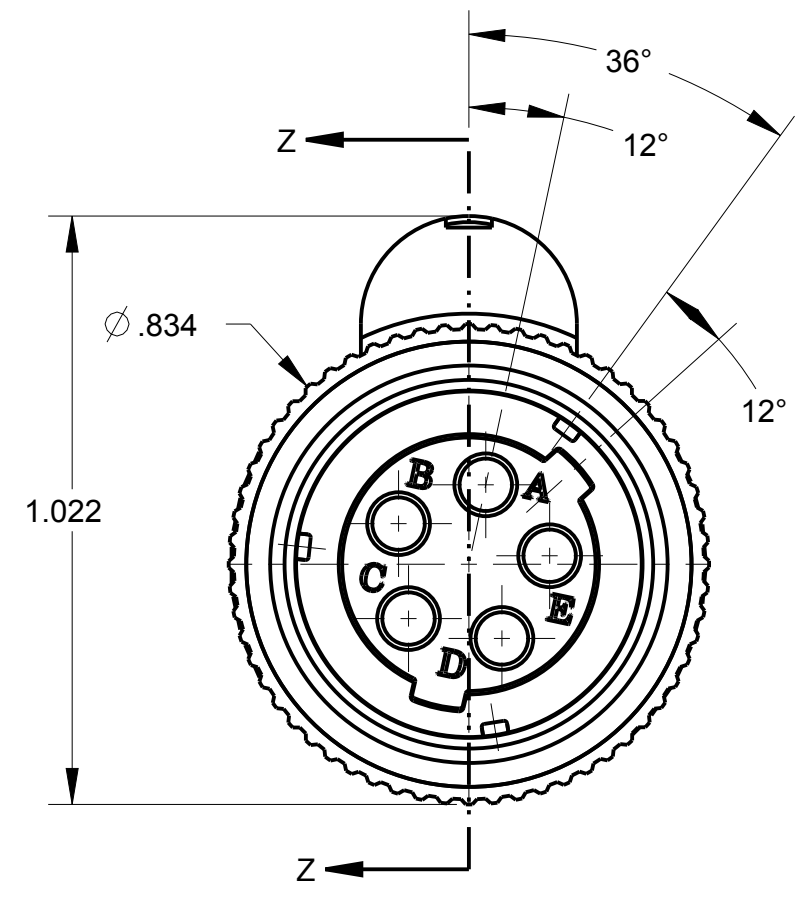
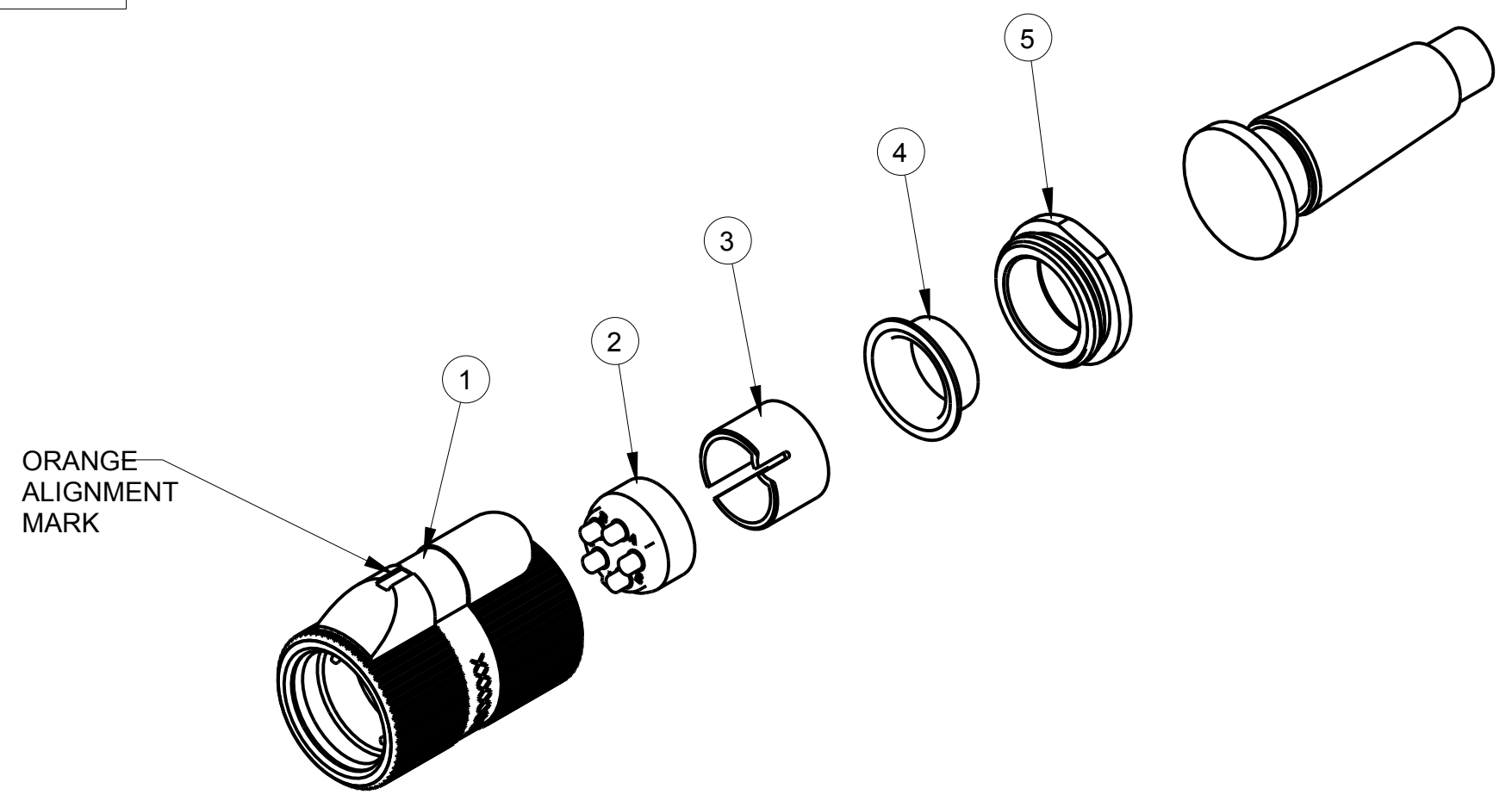


ITEM #	PART #	QTY	DESCRIPTION	MATERIAL
1	AP-155-1	1	SHELL ASS'Y	GLASS FILLED NYLON & 303 SS
2	AP-125-6	1	INSERT ASS'Y	DIALLYPHTHALATE, TYPE SDGF & GOLD PLATED BRASS
3	AP-105-5	1	STRAIN RELIEF	NYLON
4	AP-105-6	1	FERRULE	STAINLESS STEEL
5	AP-105-8	1	NUT CLAMP	NYLON, BLACK PER MIL-P-17091

C AP-155

TABLE	
AUDIO PLUG #	MILITARY PART #
AP-155	M55116/5



SECTION Z-Z

NOTES:
 1) UNLESS OTHERWISE SPECIFIED, CONNECTOR MEETS ALL GENERAL REQUIREMENTS & SPECIFICATIONS OF MIL-C-55116

THIS DOCUMENT CONTAINS PROPRIETARY INFORMATION OF NEXUS, INCORPORATED AND SUCH INFORMATION MAY NOT BE DISCLOSED TO OTHERS FOR ANY PURPOSE OR USED FOR ANY PURPOSE WITHOUT THE WRITTEN CONSENT OF NEXUS.

Australian Representatives
ROJONE, PTY LTD.
 Tel: 02 9829 1555
 E: sales@rojone.com.au
 www.rojone.com.au

DWN.BY	MNF	DATE	2/4/97	MATERIAL
CHECKED BY	L SMITH	DATE	9/9/97	FINISH
APPR.BY	L SMITH	DATE	9/9/97	WEIGHT
UNLESS OTHERWISE SPECIFIED DIMENSIONS ARE IN INCHES & OR (mm) TOLERANCES:				SCALE = 1.00 :1
B	ADD P/N'S IN P/L	101	2/25 2011	HR
A	REVISED & REDRAWN ON CAD	0259	2/24 1997	LS
LET.	REVISION	CN #	DATE	CHK
TITLE				NEXUS STAMFORD, CONN
AUDIO PLUG				
DO NOT SCALE DWG.				SHEET 1 OF 1 SIZE DWG. NO. C AP-155