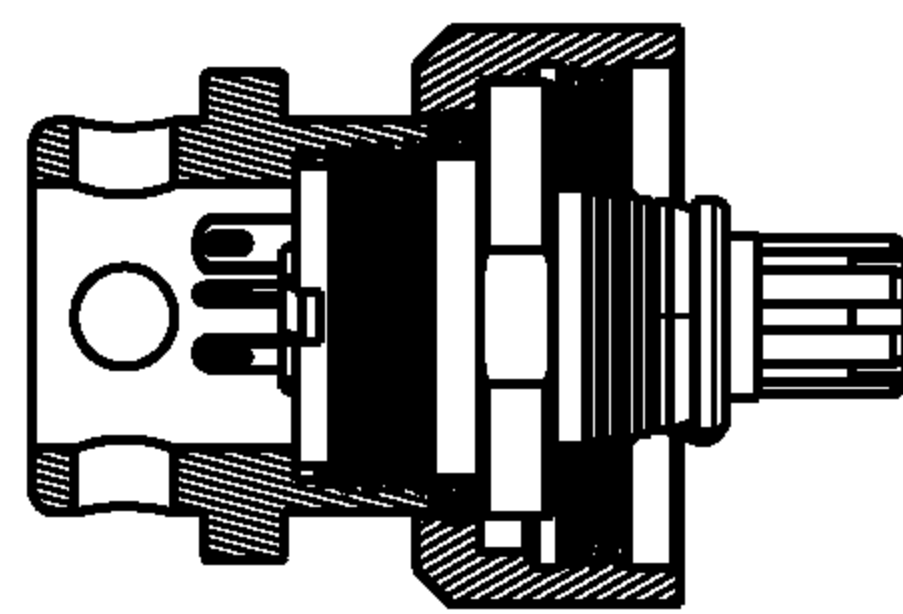
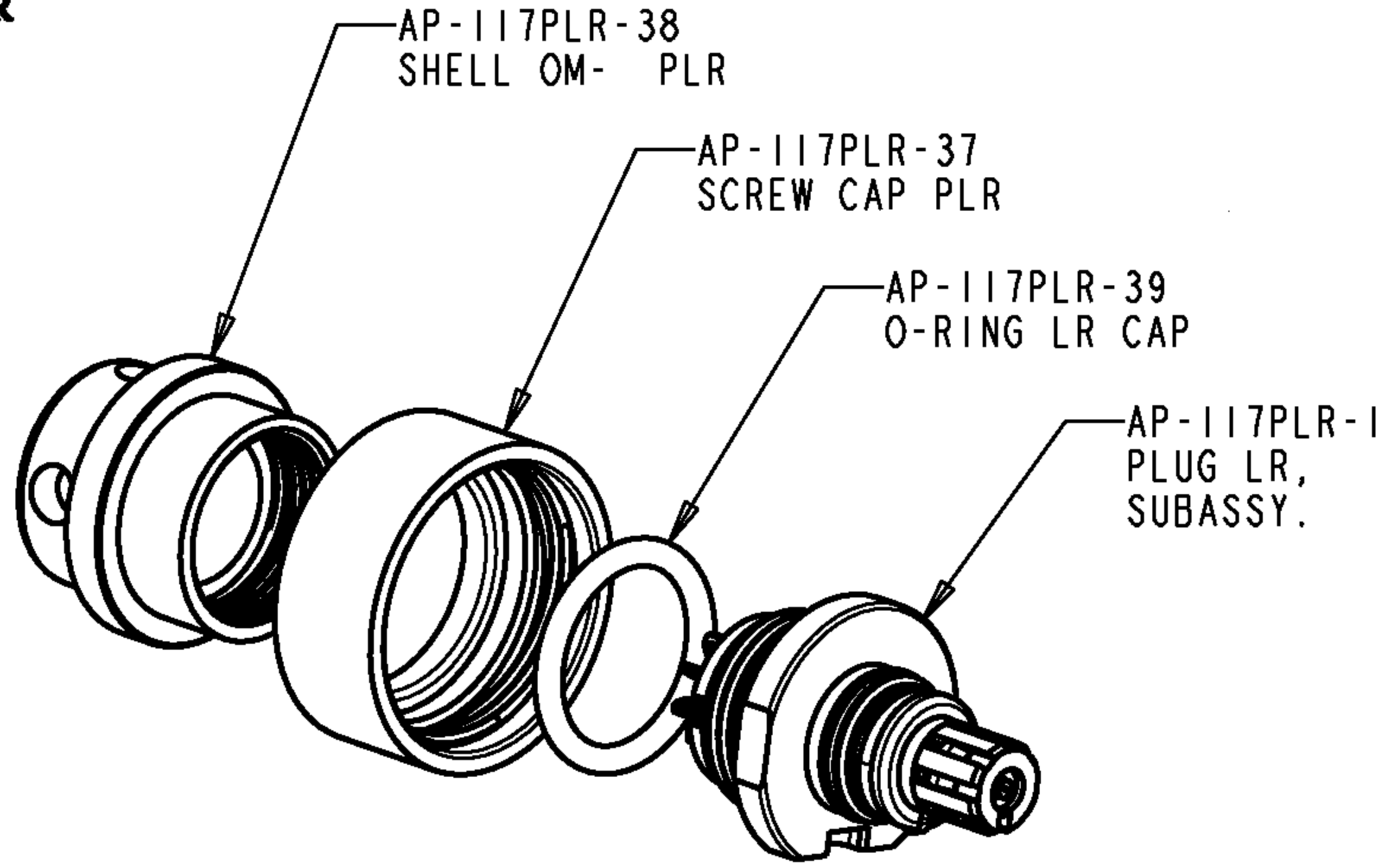


2


A AP-117PLR-CP

PROPRIETARY - NEXUS

ORDERING PART NUMBER: AP-117PLR



THIS DOCUMENT CONTAINS PROPRIETARY INFORMATION OF NEXUS, INCORPORATED AND SUCH INFORMATION MAY NOT BE DISCLOSED TO OTHERS FOR ANY PURPOSE OR USED FOR ANY PURPOSE WITHOUT THE WRITTEN CONSENT OF NEXUS.

 Australian Representatives ROJONE, PTY LTD. Tel: 02 9829 1555 E: sales@rojone.com.au www.rojone.com.au					DWN. BY LDE	DATE 30-Mar-06	MATERIAL			
					CHECKED BY	DATE	FINISH			
LET. REVISION CH # DATE CHK.					APPR. BY	DATE	WEIGHT ———	SCALE = 2.00 : 1	NEXUS STAMFORD, CONN	
					UNLESS OTHERWISE SPECIFIED DIMENSIONS ARE IN INCHES TOLERANCES ON			TITLE PLUG PLR ORDERING PART NUMBER: AP-117PLR		
					.XX .XXX ANGLES ——— ±.003 ±.5°	DO NOT SCALE DWG. SHEET 1 OF 1				