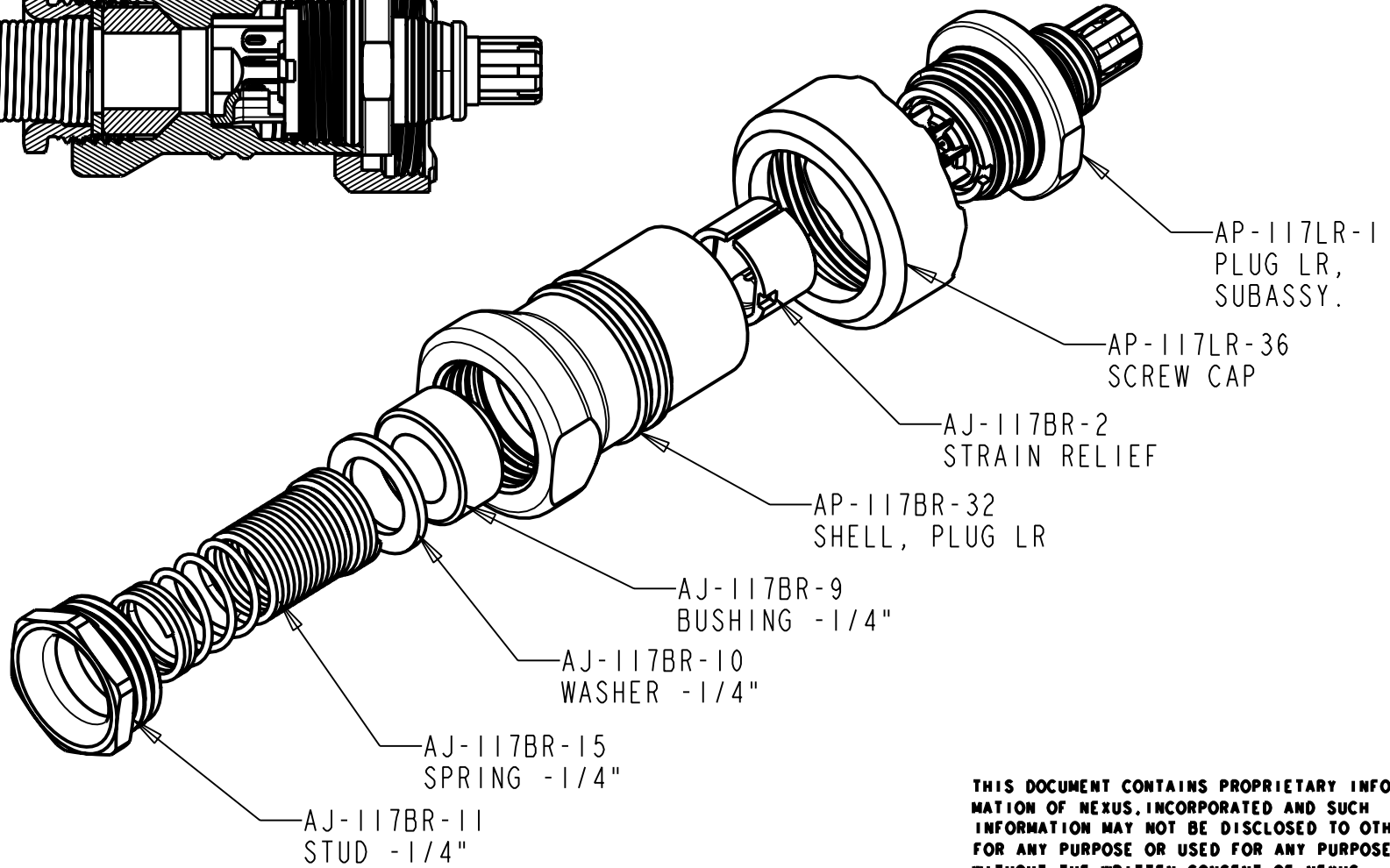
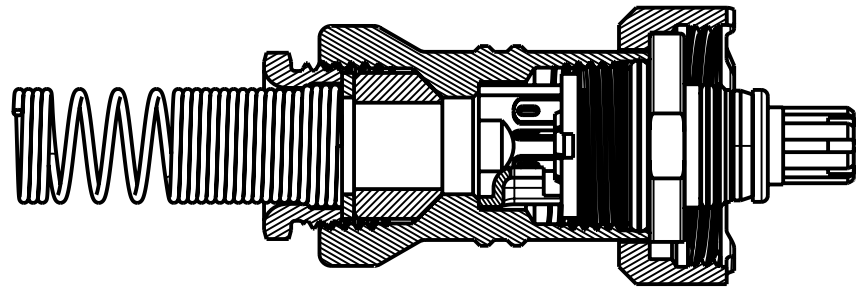


PROPRIETARY - NEXUS

A AP-117LR-AL-CP



THIS DOCUMENT CONTAINS PROPRIETARY INFORMATION OF NEXUS. INCORPORATED AND SUCH INFORMATION MAY NOT BE DISCLOSED TO OTHERS FOR ANY PURPOSE OR USED FOR ANY PURPOSE WITHOUT THE WRITTEN CONSENT OF NEXUS.

ROJONE
PTV LTD.

Australian Representatives
ROJONE, PTY LTD.

Tel: 02 9829 1555
E: sales@rojone.com.au
www.rojone.com.au

| | | | |
|------------|-----|------|-----------|
| DWN. BY | LDE | DATE | 16-Mar-06 |
| CHECKED BY | | DATE | |
| APPR. BY | | DATE | |

| | |
|----------------|------------------|
| MATERIAL | |
| FINISH | |
| WEIGHT | SCALE = 2.00 : 1 |
| TITLE | |
| PLUG LR - ALUM | |

NEXUS
STAMFORD, CONN

| LET. | REVISION | CN # | DATE | CHK. |
|------|----------|------|------|------|
| | | | | |

UNLESS OTHERWISE SPECIFIED
DIMENSIONS ARE IN INCHES
TOLERANCES ON

| | | |
|-------|------|--------|
| .XX | .XXX | ANGLES |
| ±.003 | | ±.5° |

| | |
|-------------------|--------------|
| DO NOT SCALE DWG. | SHEET 1 OF 1 |
|-------------------|--------------|

| | |
|------|----------------|
| SIZE | DWG. NO. |
| A | AP-117LR-AL-CP |