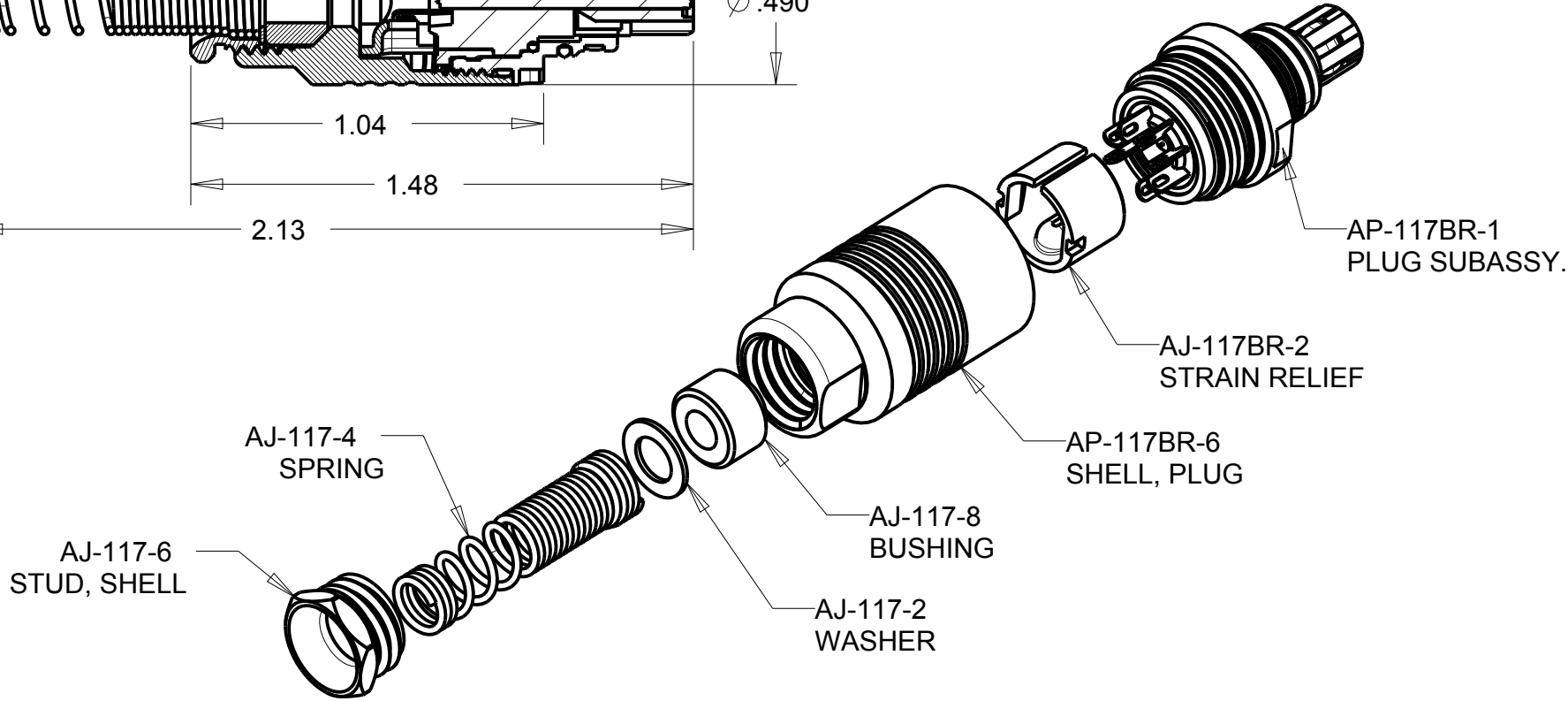
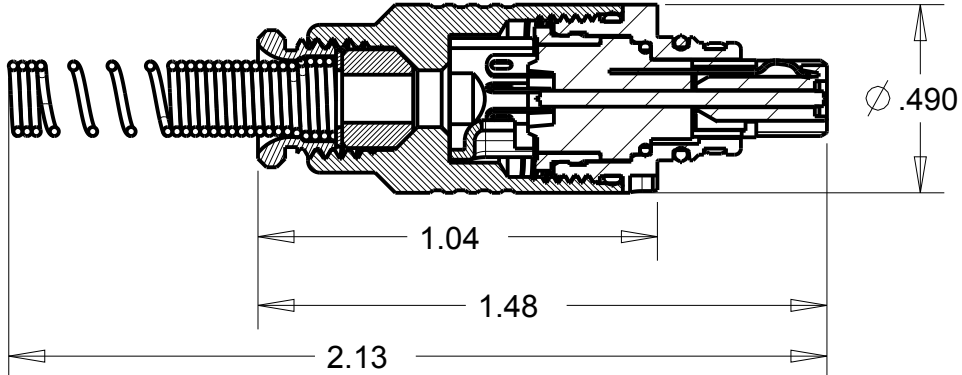


PROPRIETARY - NEXUS

ORDERING PART NUMBER: AP-117BR

A AP-117BR-CP



THIS DOCUMENT CONTAINS PROPRIETARY INFORMATION OF NEXUS, INCORPORATED AND SUCH INFORMATION MAY NOT BE DISCLOSED TO OTHERS FOR ANY PURPOSE OR USED FOR ANY PURPOSE WITHOUT THE WRITTEN CONSENT OF NEXUS.

Australian Representatives
ROJONE, PTY LTD.
 Tel: 02 9829 1555
 E: sales@rojone.com.au
 www.rojone.com.au

DWN.BY	LDE	DATE	07-Jul-05
CHECKED BY		DATE	
APPR.BY		DATE	
UNLESS OTHERWISE SPECIFIED: DIMENSIONS ARE IN INCHES & OR [mm]			
TOLERANCES:			
DECIMAL: .XX[X.X] .XXX[X.XX]			
± .01[0.3] ± .003[0.08]			
FRACTION: XX/64 ANGLES: X/5			

MATERIAL	
FINISH	
WEIGHT	SCALE = 2.00 :1
TITLE	
PLUG STRAIN RELIEF	
ORDERING PART NUMBER: AP-117BR	
DO NOT SCALE DWG.	SHEET 1 OF 1

NEXUS
 STAMFORD, CONN

SIZE DWG. NO.
A AP-117BR-CP

B	CHG: AJ-117BR-1 TO AP-117BR-1	155	1/30 2013	HR
LET.	REVISION	CN #	DATE	CHK.