

2

PROPRIETARY - NEXUS
ORDERING PART NUMBER: AP-107DRS

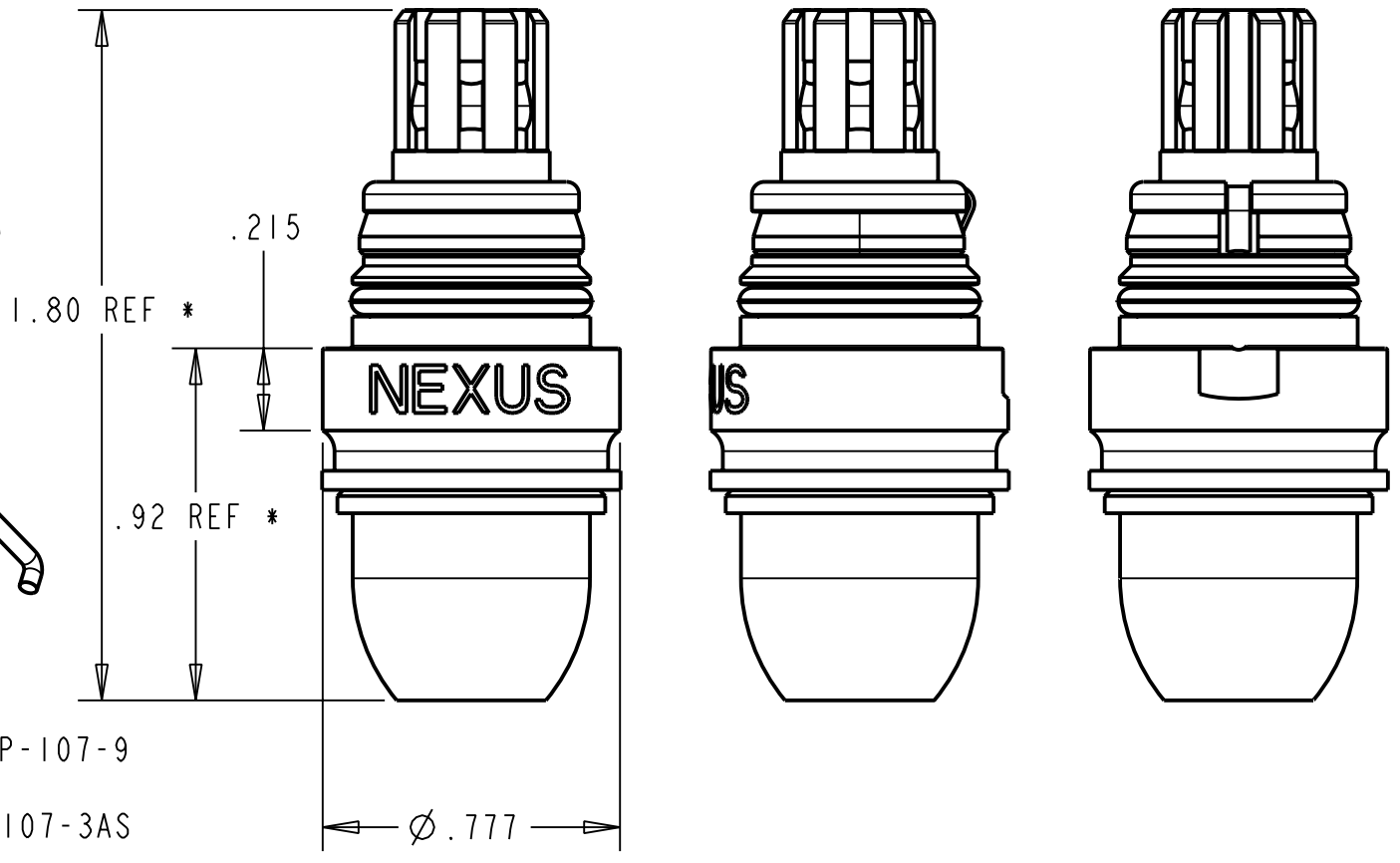
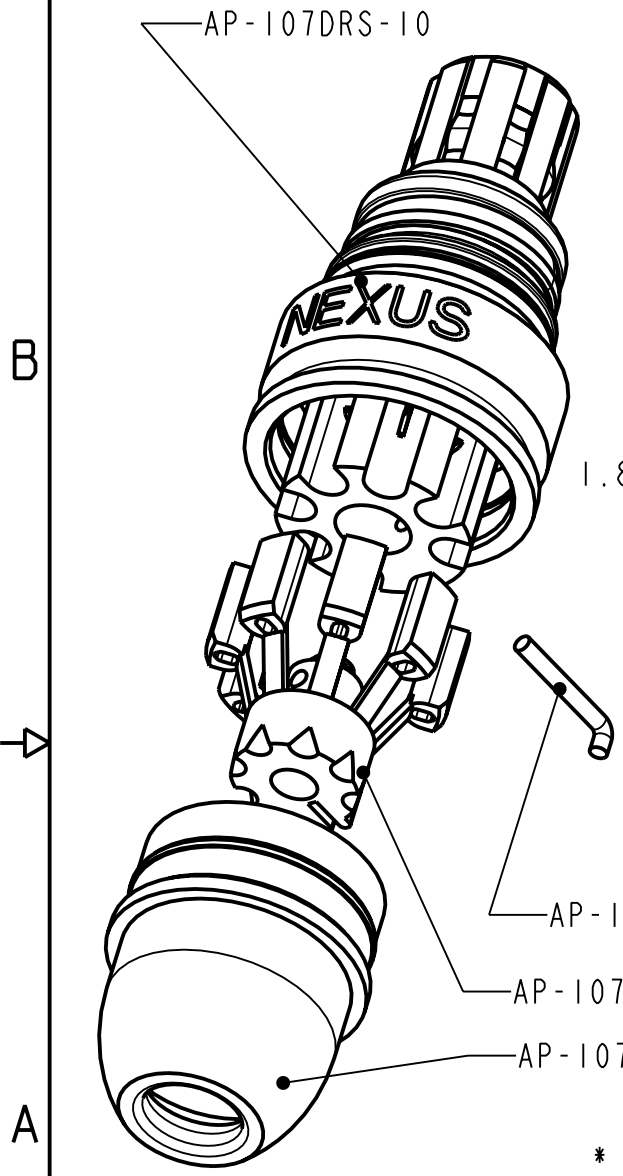
A AP-107DRS-CP

B

B

A

A



THIS DOCUMENT CONTAINS PROPRIETARY INFORMATION OF NEXUS, INCORPORATED AND SUCH INFORMATION MAY NOT BE DISCLOSED TO OTHERS FOR ANY PURPOSE OR USED FOR ANY PURPOSE WITHOUT THE WRITTEN CONSENT OF NEXUS.

* REF DIMENSIONS ARE FOR INFORMATION ONLY

ROJONE
 Australian Representatives
ROJONE, PTY LTD.
 Tel: 02 9829 1555
 E: sales@rojone.com.au
 www.rojone.com.au

DWN. BY	LDE	DATE	11-Jul-07
CHECKED BY		DATE	
APPR. BY		DATE	

MATERIAL	
FINISH	
WEIGHT	SCALE = 2.00 : 1
TITLE	PLUG - DRS
	ORDERING PART NUMBER: AP-107DRS

NEXUS
 STAMFORD, CONN

SIZE DWG. NO.
 A AP-107DRS-CP

LET.	REVISION	CN #	DATE	CHK.

UNLESS OTHERWISE SPECIFIED
 DIMENSIONS ARE IN INCHES
 TOLERANCES ON
 .XX .XXX ANGLES
 ±.003 ±.5°

DO NOT SCALE DWG.	SHEET 1 OF 1
-------------------	--------------

↑