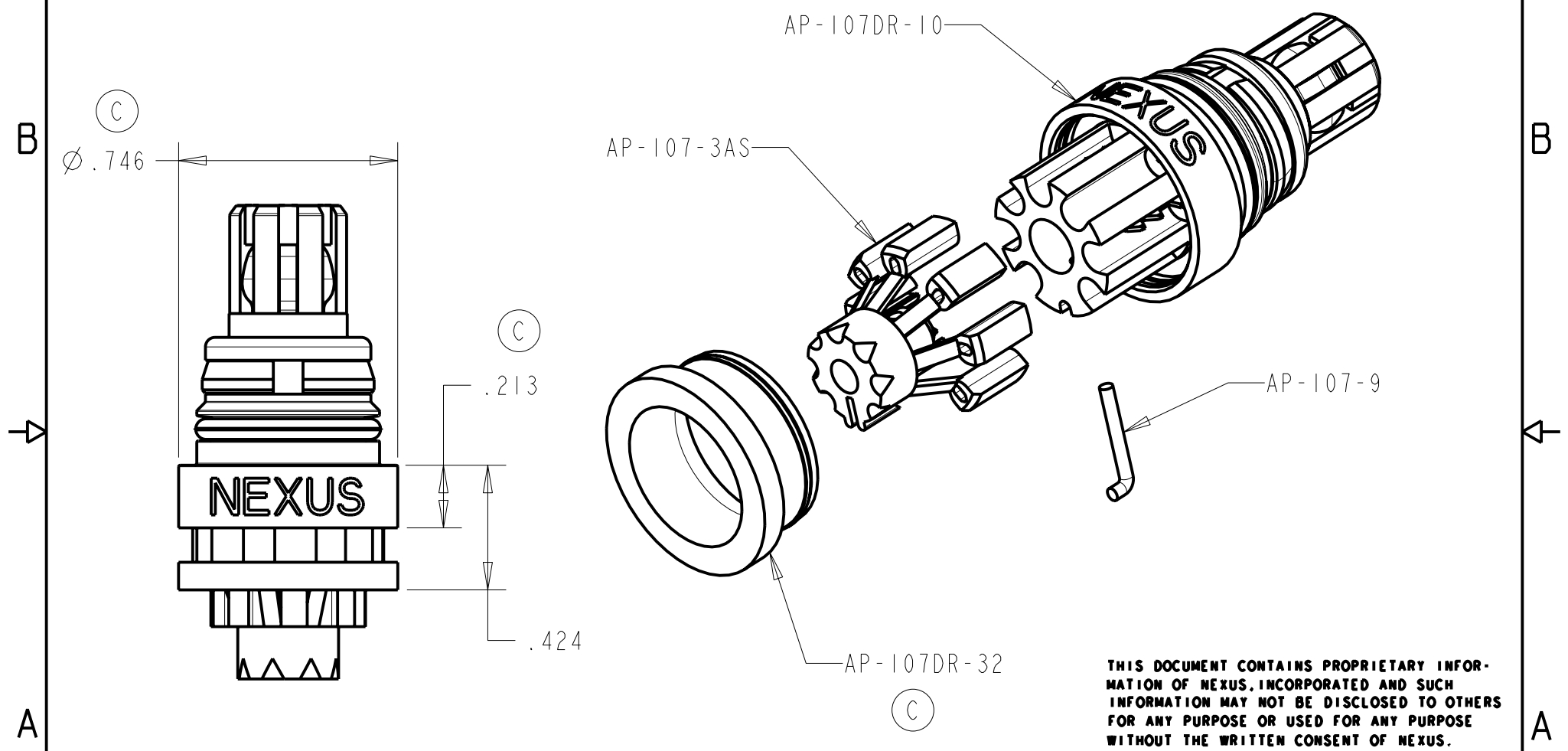


PROPRIETARY - NEXUS

ORDERING PART NUMBER: AP-107DR

A AP-107DR-CP



THIS DOCUMENT CONTAINS PROPRIETARY INFORMATION OF NEXUS, INCORPORATED AND SUCH INFORMATION MAY NOT BE DISCLOSED TO OTHERS FOR ANY PURPOSE OR USED FOR ANY PURPOSE WITHOUT THE WRITTEN CONSENT OF NEXUS.

ROJONE
 Australian Representatives
ROJONE, PTY LTD.
 Tel: 02 9829 1555
 E: sales@rojone.com.au
 www.rojone.com.au

DWN. BY	LDE	DATE	29-Sep-08
CHECKED BY		DATE	
APPR. BY		DATE	

MATERIAL	
FINISH	
WEIGHT	SCALE = 2.00 : 1
TITLE	

NEXUS
 STAMFORD, CONN
 SIZE DWG. NO.
 A AP-107DR-CP

C	REVERT TO ORIGINAL DR HSG & RETAINER	1049	12/06 2010	
B	ADD CUSTOMER DIMENSIONS		10/20 2010	
LET.	REVISION	CN #	DATE	CHK.

UNLESS OTHERWISE SPECIFIED
 DIMENSIONS ARE IN INCHES
 TOLERANCES ON
 .XX .XXX ANGLES
 ±.003 ±.5°

PLUG - DR
 ORDERING PART NUMBER: AP-107DR
 DO NOT SCALE DWG. SHEET 1 OF 1