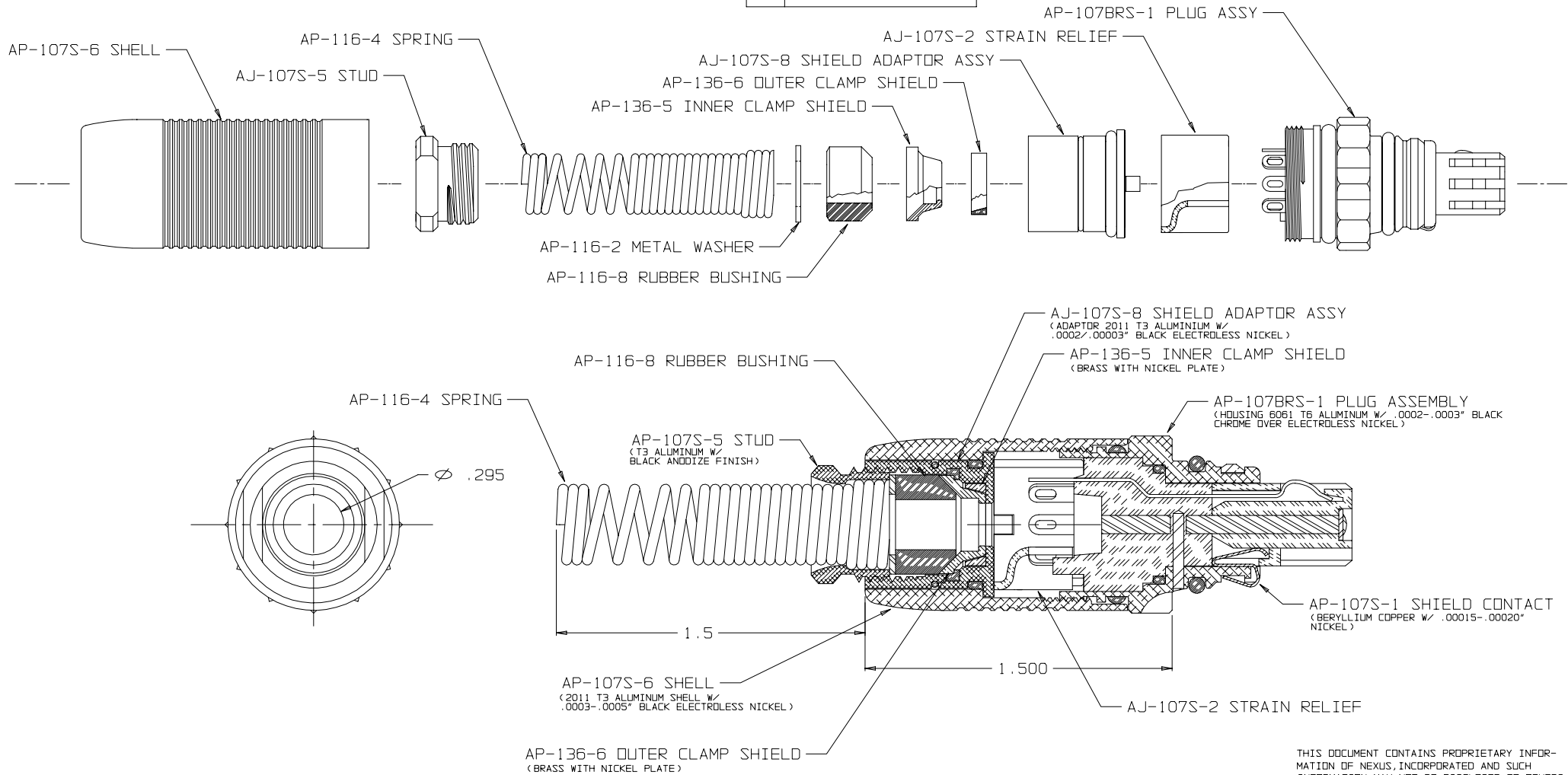


B AP-107BRS



THIS DOCUMENT CONTAINS PROPRIETARY INFORMATION OF NEXUS, INCORPORATED AND SUCH INFORMATION MAY NOT BE DISCLOSED TO OTHERS FOR ANY PURPOSE OR USED FOR ANY PURPOSE WITHOUT THE WRITTEN CONSENT OF NEXUS.



Australian Representatives
ROJONE, PTY LTD.
 Tel: 02 9829 1555
 E: sales@rojone.com.au
 www.rojone.com.au

DWN. BY <i>E. W. T.</i>	DATE 9/18/01	MATERIAL _____	
CHECKED BY	DATE	FINISH _____	
APPR. BY	DATE	WEIGHT _____	SCALE NONE
UNLESS OTHERWISE SPECIFIED DIMENSIONS ARE IN INCHES TOLERANCES ON FRACTIONS DECIMALS ANGLES — — —		TITLE SEVEN CONDUCTOR SHIELDED AUDIO PLUG WITH SPRING BEND RELIEF	
		DD NOT SCALE DWG.	SHEET 1 OF 1
LET. REVISION CN # DATE CHK.		SIZE DWG. NO. B AP-107BRS	