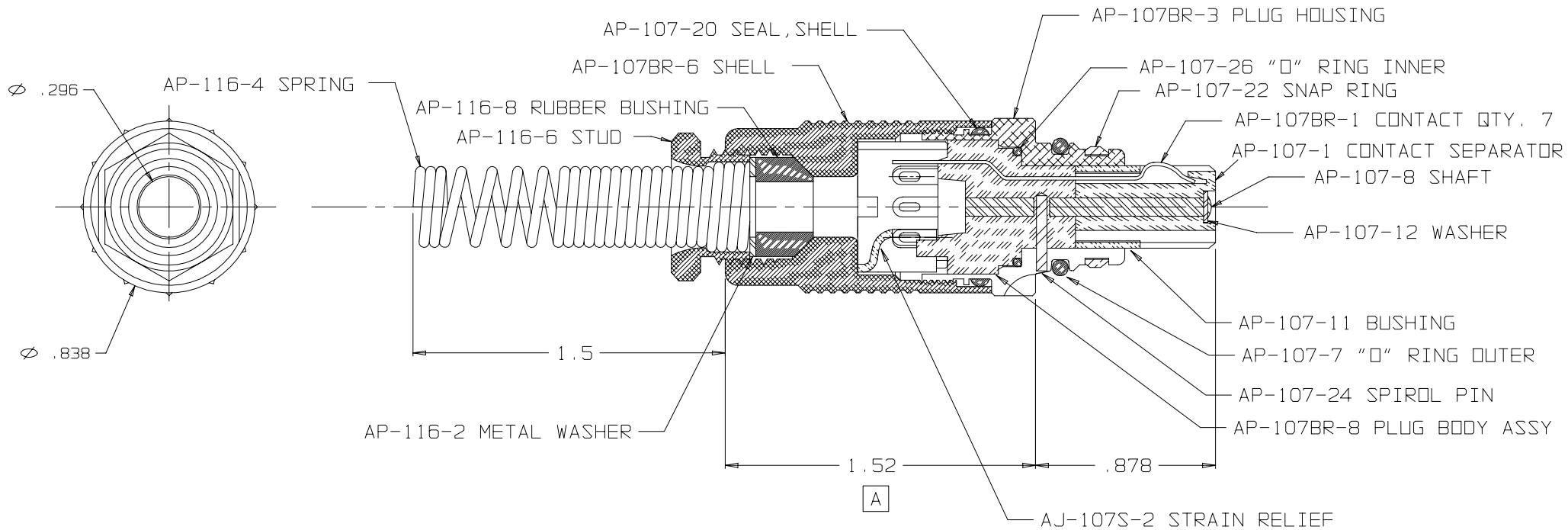


**B** AP-107BR

# PROPRIETARY-NEXUS



THIS DOCUMENT CONTAINS PROPRIETARY INFORMATION OF NEXUS, INCORPORATED AND SUCH INFORMATION MAY NOT BE DISCLOSED TO OTHERS FOR ANY PURPOSE OR USED FOR ANY PURPOSE WITHOUT THE WRITTEN CONSENT OF NEXUS.



**Australian Representatives**

**ROJONE, PTY LTD.**

Tel: 02 9829 1555

E: sales@rojone.com.au

www.rojone.com.au

DWN. BY M.N.F.	DATE 9/11/96	MATERIAL	
CHECKED BY L. SMITH	DATE 9/12/96	FINISH	
APPR. BY L. SMITH	DATE 9/12/96	WEIGHT	SCALE 2:1
UNLESS OTHERWISE SPECIFIED DIMENSIONS ARE IN INCHES TOLERANCES ON FRACTIONS DECIMALS ANGLES		TITLE <b>SEVEN CONDUCTOR AUDIO PLUG WITH SPRING BEND RELIEF</b>	
DO NOT SCALE DWG.		SHEET 1 OF 1	
NEXUS STAMFORD, CONN		SIZE <b>B</b>	DWG. NO. <b>AP-107BR</b> ASSEMBLY, B.O.M.

A	WAS 1.40	0242	9/23/96	L.S.
LET.	REVISION	CN #	DATE	CHK.