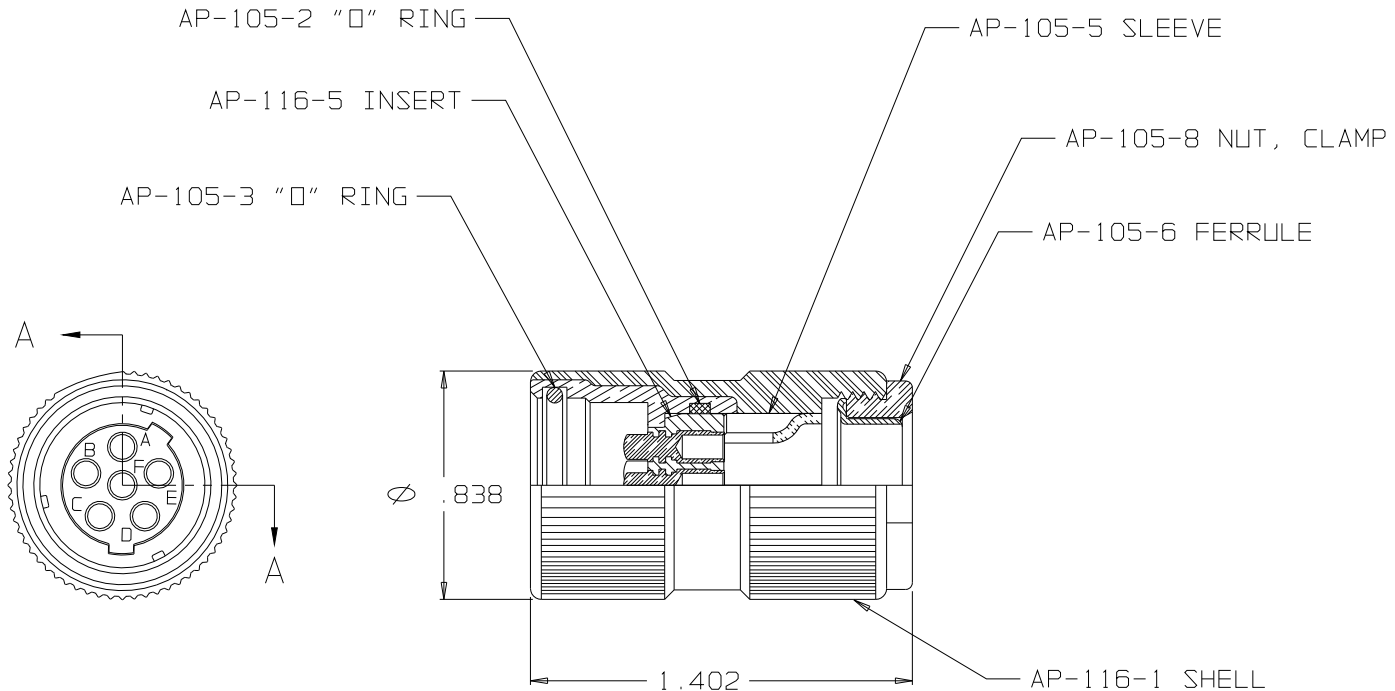


**B** AP-106



SECTION A-A

NOTE:  
 1) LUBRICATE "O" RINGS (AP-105-2 & AP-105-3)  
 WITH LUBRICANT DC-4 (DOW CORNING CORP.)

THIS DOCUMENT CONTAINS PROPRIETARY INFORMATION OF NEXUS, INCORPORATED AND SUCH INFORMATION MAY NOT BE DISCLOSED TO OTHERS FOR ANY PURPOSE OR USED FOR ANY PURPOSE WITHOUT THE WRITTEN CONSENT OF NEXUS.

**ROJONE**  
 Australian Representatives  
**ROJONE, PTY LTD.**  
 Tel: 02 9829 1555  
 E: sales@rojone.com.au  
 www.rojone.com.au

A	REVISED		7/7/98	RWF
LET.	REVISION	CN #	DATE	CHK.

DWN. BY	EWT	DATE	7/9/98	MATERIAL
CHECKED BY		DATE		FINISH
APPR. BY		DATE		WEIGHT —
				SCALE 2:1
				TITLE
				MALE PLUG ASSEMBLY
				6 CONDUCTOR
				DO NOT SCALE DWG.
				SHEET 1 OF 1
				SIZE
				B
				DWG. NO.
				AP-106