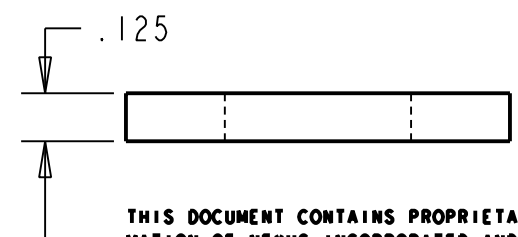
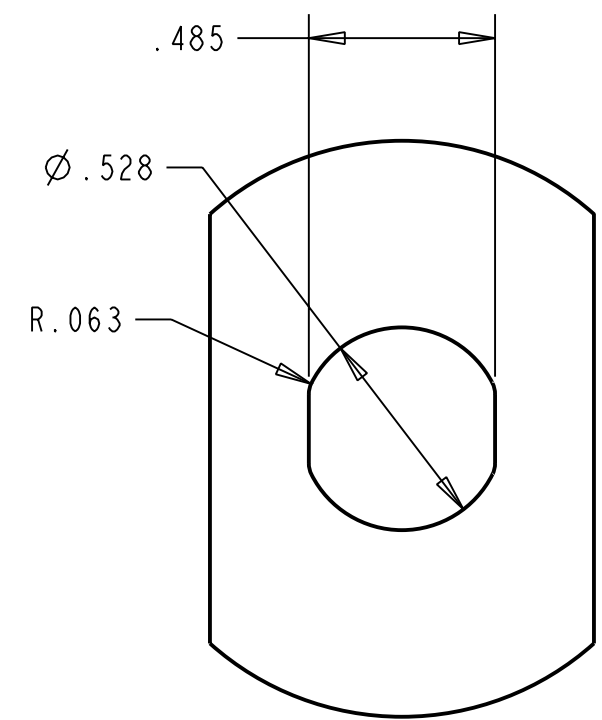
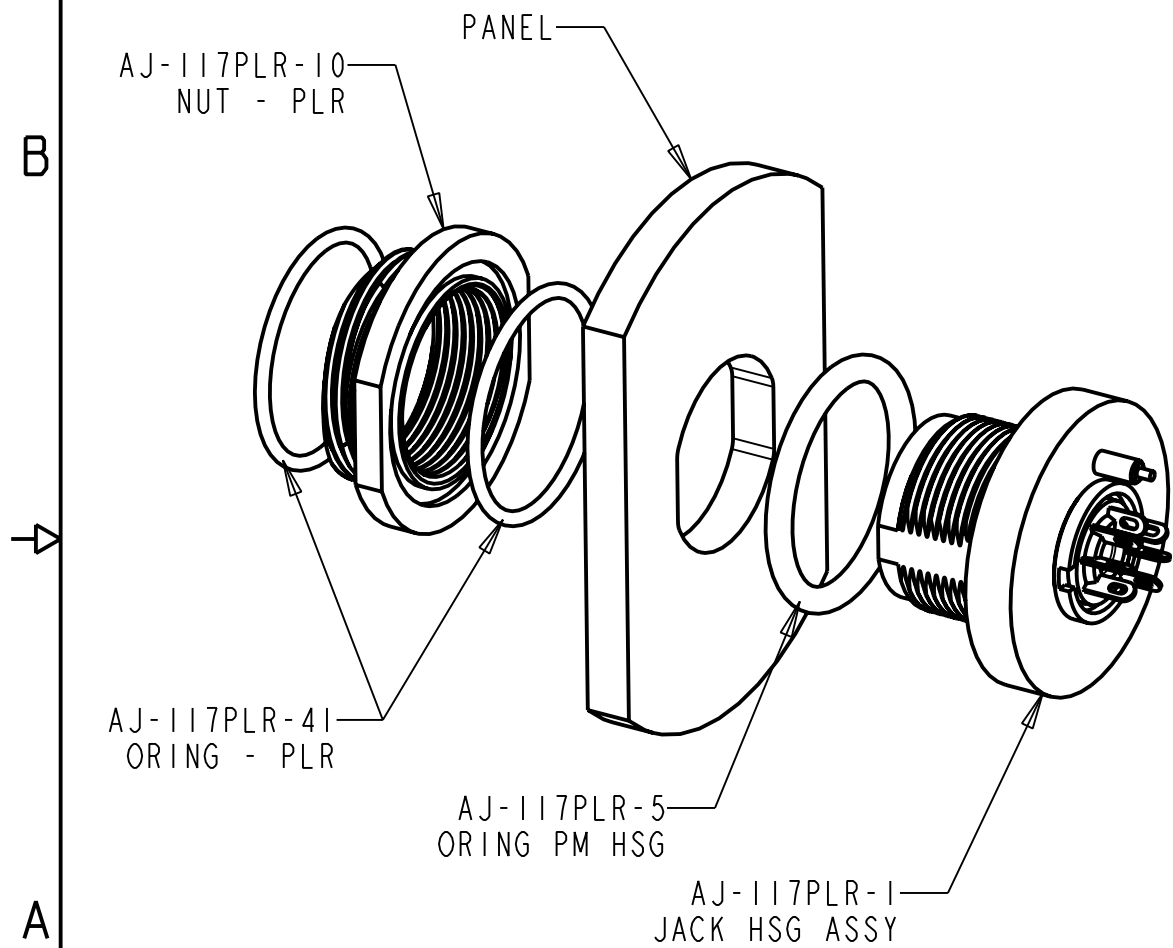


# PROPRIETARY - NEXUS

ORDERING PART NUMBER: AJ-117PLR

A AJ-117PLR-CP



THIS DOCUMENT CONTAINS PROPRIETARY INFORMATION OF NEXUS, INCORPORATED AND SUCH INFORMATION MAY NOT BE DISCLOSED TO OTHERS FOR ANY PURPOSE OR USED FOR ANY PURPOSE WITHOUT THE WRITTEN CONSENT OF NEXUS.



Australian Representatives  
**ROJONE, PTY LTD.**  
 Tel: 02 9829 1555  
 E: sales@rojone.com.au  
 www.rojone.com.au

DWN. BY	LDE	DATE	22-Mar-06
CHECKED BY		DATE	
APPR. BY		DATE	
UNLESS OTHERWISE SPECIFIED DIMENSIONS ARE IN INCHES TOLERANCES ON			
.XX	.XXX	ANGLES	
±.003		±.5°	

MATERIAL	
FINISH	
WEIGHT	SCALE = 2.00 : 1
TITLE	
JACK-PLR ASSEMBLY	
ORDERING PART NUMBER: AJ-117PLR	
DO NOT SCALE DWG.	SHEET 1 OF 2

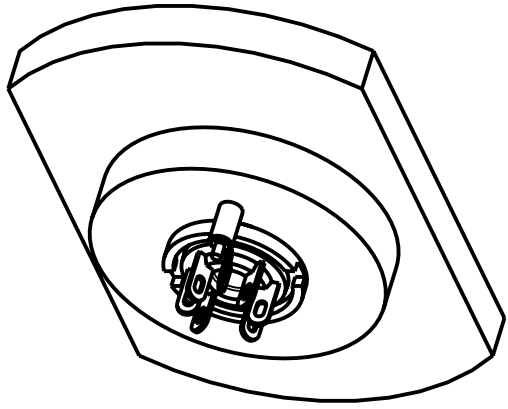
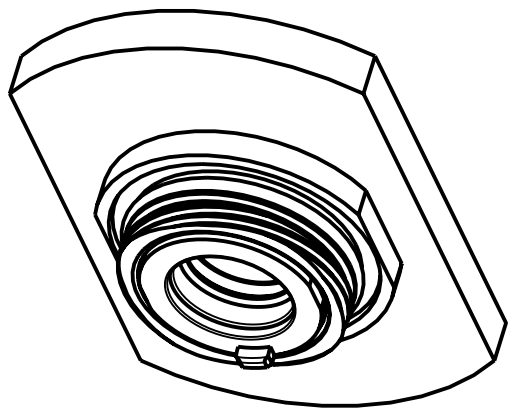
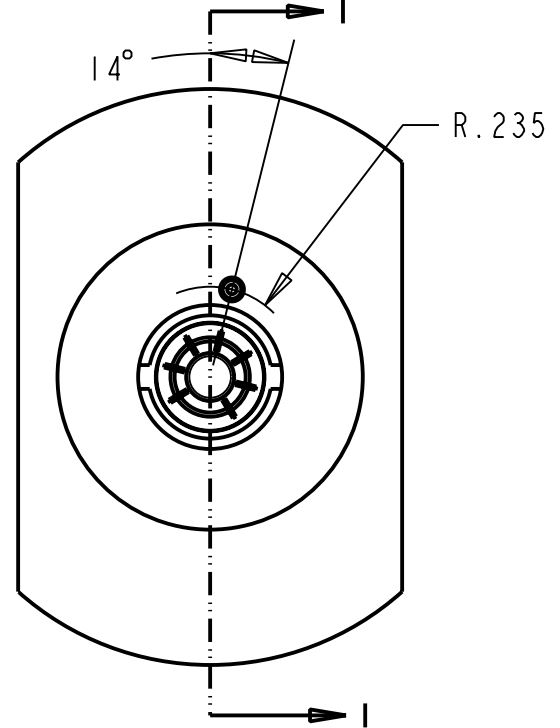
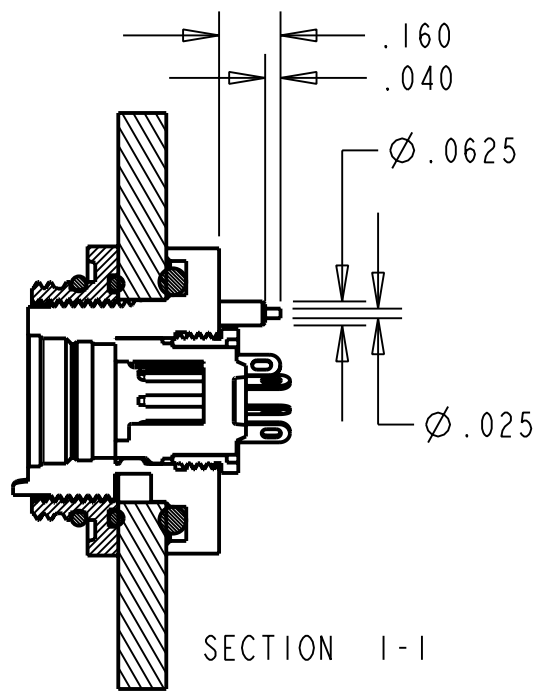
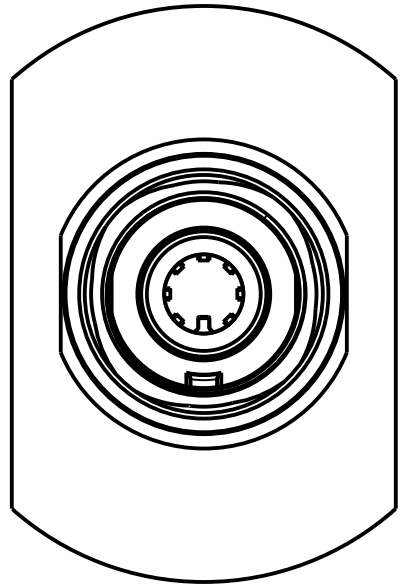
**NEXUS**  
 STAMFORD, CONN

SIZE	DWG. NO.
A	AJ-117PLR-CP

LET.	REVISION	CN #	DATE	CHK.

2

A AJ-117PLR-CP



THIS DOCUMENT CONTAINS PROPRIETARY INFORMATION OF NEXUS, INCORPORATED AND SUCH INFORMATION MAY NOT BE DISCLOSED TO OTHERS FOR ANY PURPOSE OR USED FOR ANY PURPOSE WITHOUT THE WRITTEN CONSENT OF NEXUS.

LET.	REVISION	CN #	DATE	CHK.

DWN. BY	LDE	DATE	05-Jan-06
CHECKED BY		DATE	
APPR. BY		DATE	
UNLESS OTHERWISE SPECIFIED DIMENSIONS ARE IN INCHES TOLERANCES ON .XX .XXX ANGLES ±.003 ±.5°			

MATERIAL	
FINISH	
WEIGHT	SCALE = 2.00 : 1
TITLE	
JACK-PLR ASSEMBLY	
DO NOT SCALE DWG.	SHEET 2 OF 2

NEXUS  
STAMFORD, CONN

SIZE DWG. NO.  
A AJ-117PLR-CP