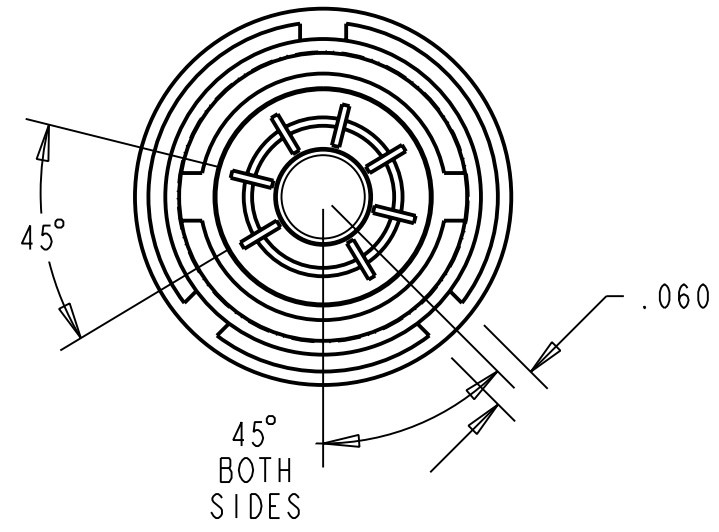
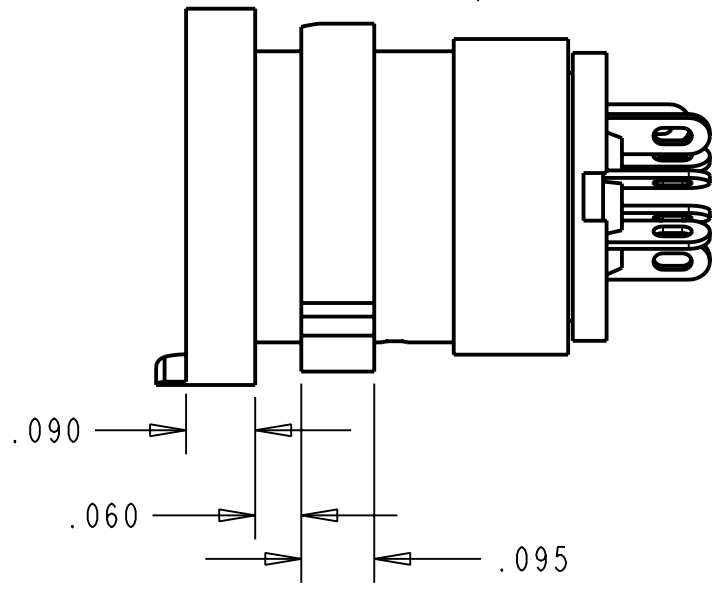
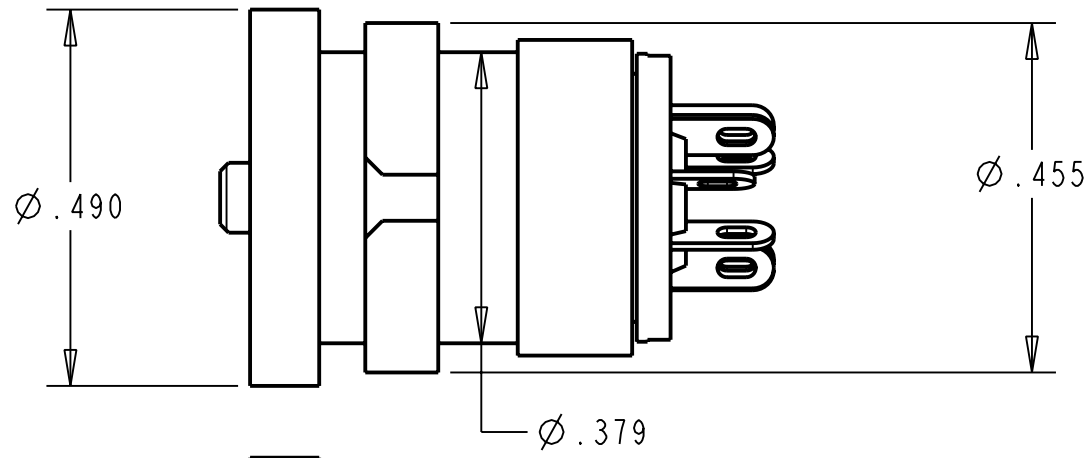


A | AJ-1170M-CP

PROPRIETARY - NEXUS
ORDERING PART NUMBER: AJ-1170M



THIS DOCUMENT CONTAINS PROPRIETARY INFORMATION OF NEXUS, INCORPORATED AND SUCH INFORMATION MAY NOT BE DISCLOSED TO OTHERS FOR ANY PURPOSE OR USED FOR ANY PURPOSE WITHOUT THE WRITTEN CONSENT OF NEXUS.

ROJONE
 Australian Representatives
ROJONE, PTY LTD.
 Tel: 02 9829 1555
 E: sales@rojone.com.au
 www.rojone.com.au

DWN. BY	LDE	DATE	19-Nov-04
CHECKED BY		DATE	
APPR. BY		DATE	
UNLESS OTHERWISE SPECIFIED DIMENSIONS ARE IN INCHES TOLERANCES ON .XX .XXX ANGLES ±.003 ±.5°			

MATERIAL	
FINISH	
WEIGHT	SCALE = 4.00 : 1
TITLE	
JACK OM SUBASSY	
ORDERING PART NUMBER: AJ-1170M	
DO NOT SCALE DWG.	SHEET 1 OF 1

NEXUS	
STAMFORD, CONN	
SIZE	DWG. NO.
A	AJ-1170M-CP

LET.	REVISION	CN #	DATE	CHK.