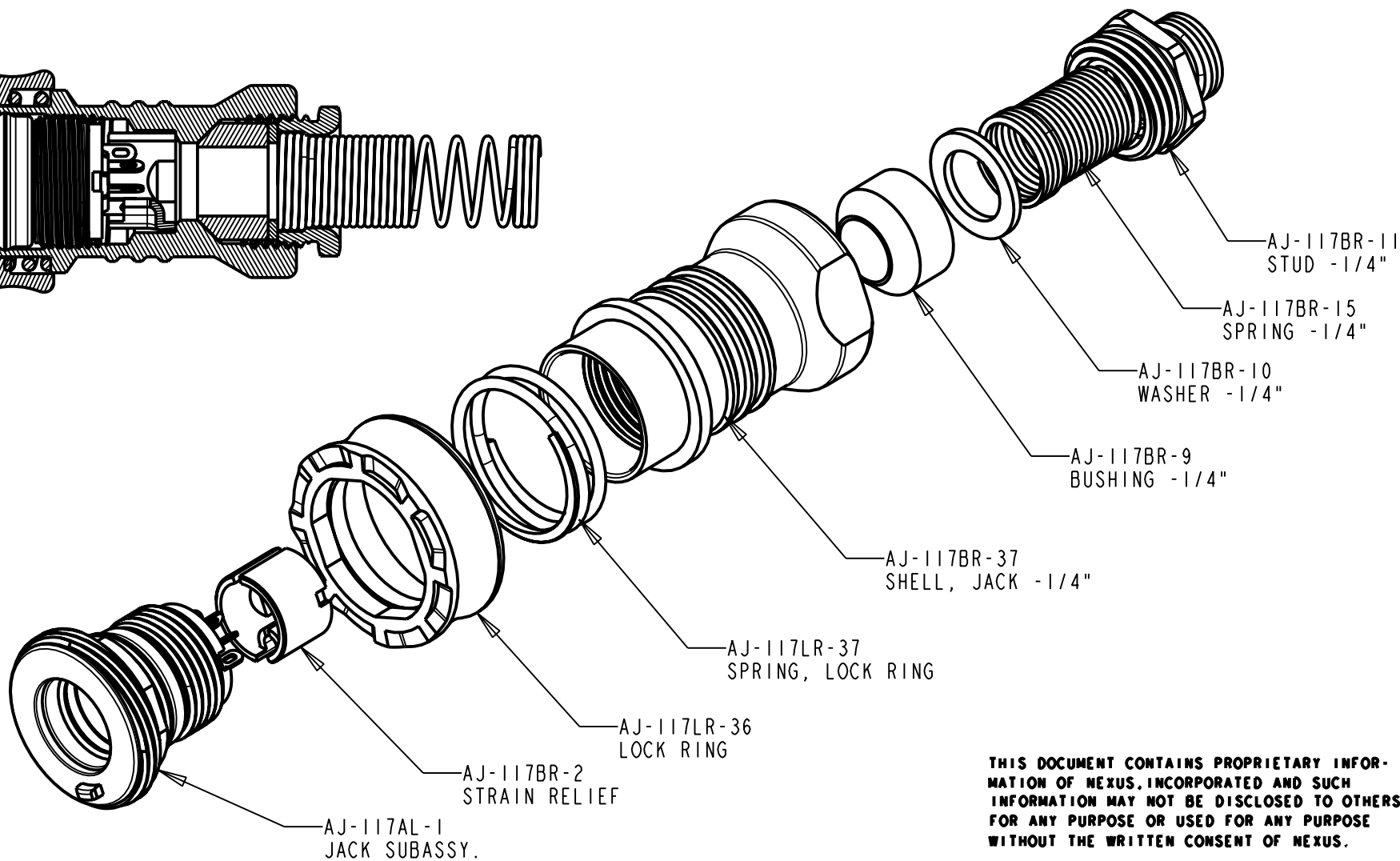
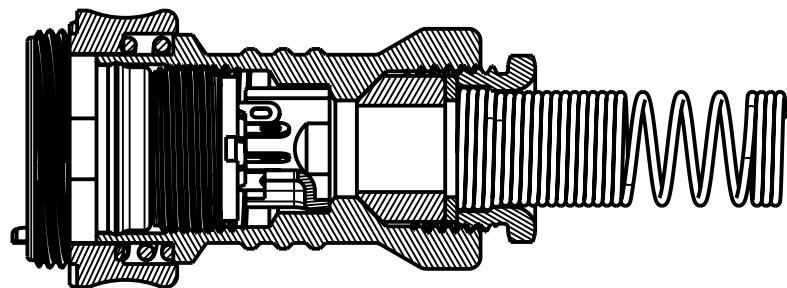


# PROPRIETARY - NEXUS

A AJ-117LR-AL-CP



THIS DOCUMENT CONTAINS PROPRIETARY INFORMATION OF NEXUS, INCORPORATED AND SUCH INFORMATION MAY NOT BE DISCLOSED TO OTHERS FOR ANY PURPOSE OR USED FOR ANY PURPOSE WITHOUT THE WRITTEN CONSENT OF NEXUS.



Australian Representatives  
**ROJONE, PTY LTD.**  
 Tel: 02 9829 1555  
 E: sales@rojone.com.au  
 www.rojone.com.au

DWN. BY	LDE	DATE	16-Mar-06
CHECKED BY		DATE	
APPR. BY		DATE	

MATERIAL	
FINISH	
WEIGHT	SCALE = 2.00 : 1
TITLE	
JACK LR-ALUM	
DO NOT SCALE DWG.	SHEET 1 OF 1

NEXUS

STAMFORD, CONN

SIZE	DWG. NO.
A	AJ-117LR-AL-CP

LET.	REVISION	CN #	DATE	CHK.

UNLESS OTHERWISE SPECIFIED  
 DIMENSIONS ARE IN INCHES  
 TOLERANCES ON  
 .XX .XXX ANGLES  
 ±.003 ±.5°