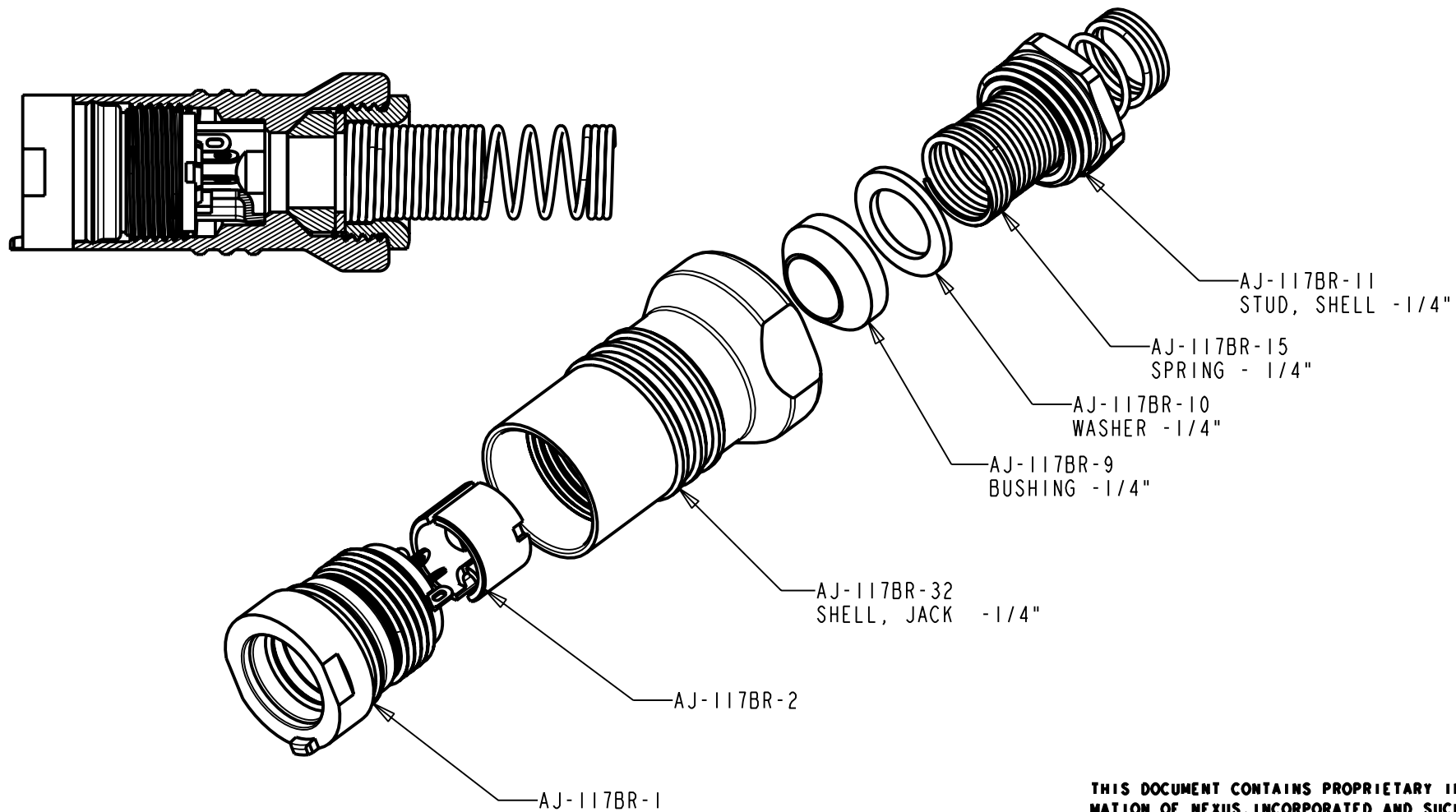


PROPRIETARY - NEXUS

A AJ-117BRXL-CP



THIS DOCUMENT CONTAINS PROPRIETARY INFORMATION OF NEXUS, INCORPORATED AND SUCH INFORMATION MAY NOT BE DISCLOSED TO OTHERS FOR ANY PURPOSE OR USED FOR ANY PURPOSE WITHOUT THE WRITTEN CONSENT OF NEXUS.

ROJONE
 Australian Representatives
ROJONE, PTY LTD.
 Tel: 02 9829 1555
 E: sales@rojone.com.au
 www.rojone.com.au

DWN. BY	LDE	DATE	08/25/05	MATERIAL	
CHECKED BY		DATE		FINISH	
APPR. BY		DATE		WEIGHT	SCALE = 2.00 : 1
UNLESS OTHERWISE SPECIFIED DIMENSIONS ARE IN INCHES TOLERANCES ON .XX .XXX ANGLES ±.003 ±.5°				TITLE	NEXUS STAMFORD, CONN
				JACK XL-1/4" - STRAIN RELIEF	
LET.	REVISION	CN #	DATE	CHK.	A AJ-117BRXL-CP
				DO NOT SCALE DWG.	SHEET 1 OF 1