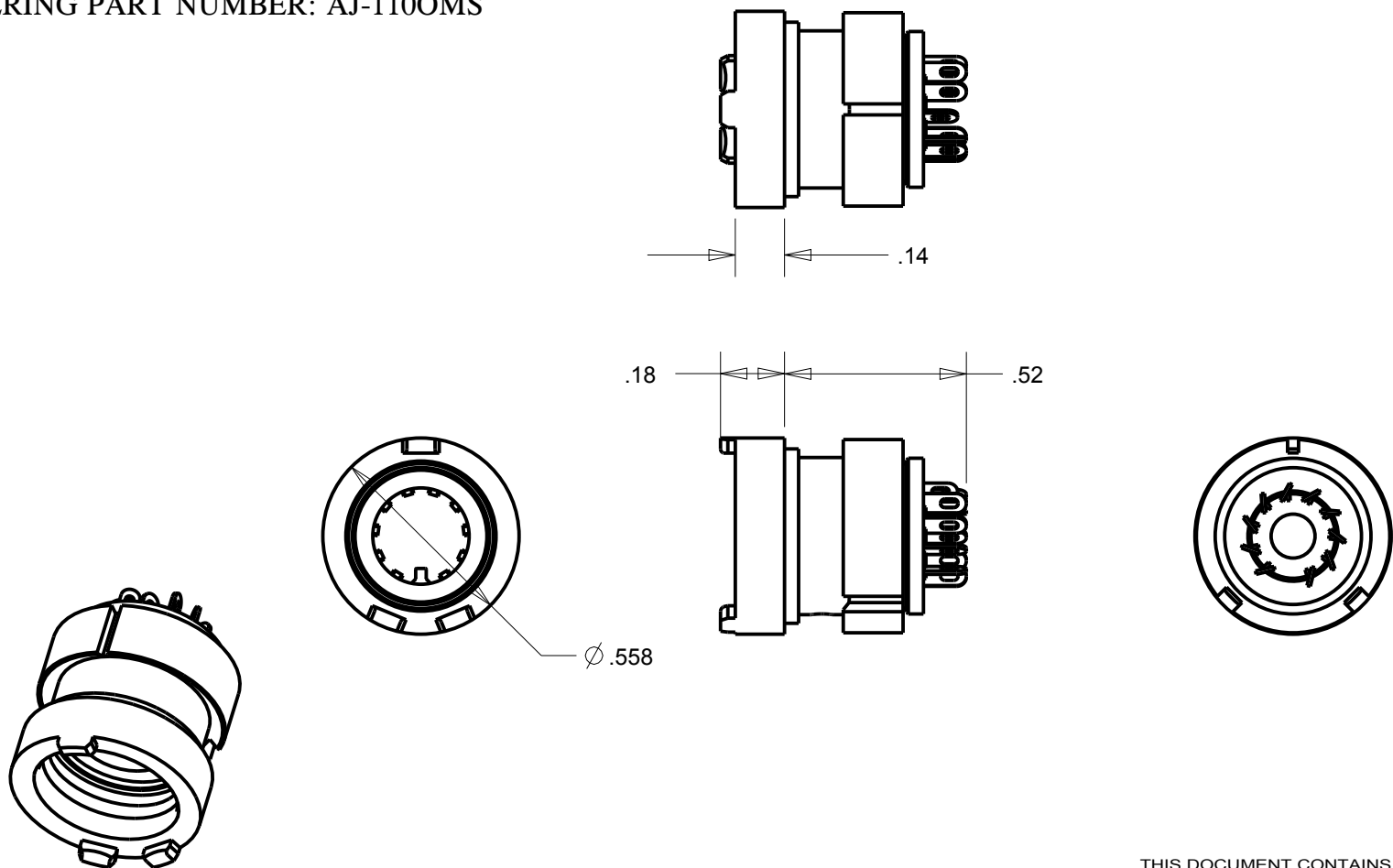


# PROPRIETARY - NEXUS

ORDERING PART NUMBER: AJ-1100MS

A AJ-1100MS-CP



THIS DOCUMENT CONTAINS PROPRIETARY INFORMATION OF NEXUS, INCORPORATED AND SUCH INFORMATION MAY NOT BE DISCLOSED TO OTHERS FOR ANY PURPOSE OR USED FOR ANY PURPOSE WITHOUT THE WRITTEN CONSENT OF NEXUS.

**Australian Representatives**  
**ROJONE, PTY LTD.**  
 Tel: 02 9829 1555  
 E: sales@rojone.com.au  
 www.rojone.com.au

DWN.BY	LDE	DATE	03/14/08
CHECKED BY		DATE	
APPR.BY		DATE	
UNLESS OTHERWISE SPECIFIED: DIMENSIONS ARE IN INCHES &/OR [mm]			
TOLERANCES: DECIMAL: .XX[X.X] .XXX[X.XX] ± .01[0.3] ± .003[0.08]			
FRACTION: XX ± 1/64		ANGLES: X ± .5	

MATERIAL	
FINISH	
WEIGHT	SCALE = 2.00 :1
TITLE	
<b>JACK - OMS</b> ORDERING PART NUMBER: AJ-1100MS	
DO NOT SCALE DWG.	SHEET 1 OF 1

**NEXUS**  
STAMFORD, CONN

SIZE DWG. NO.  
**A** AJ-1100MS-CP

B	MODIFY CONTACT ANGLE		05/07 2012	LDE
LET.	REVISION	CN #	DATE	CHK.