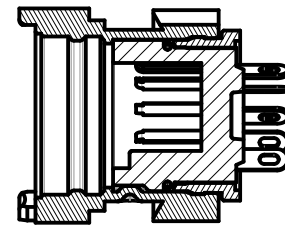
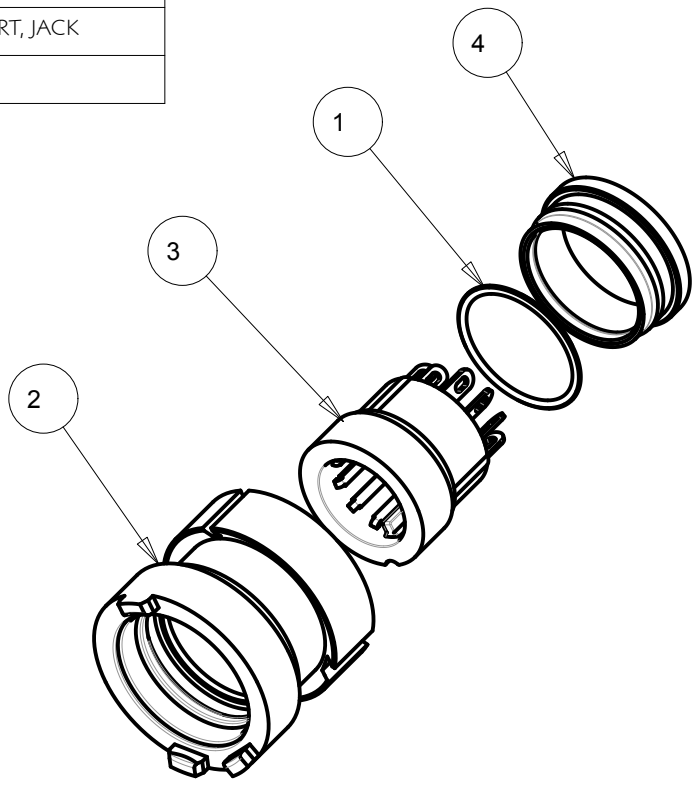


ITEM	PART NO.	QTY	DESCRIPTION
1	AJ-110-32	1	"O" RING, JACK
2	AJ-1100M-14	1	HOUSING, JACK - OM
3	AJ-1100X-2	1	BODY - INSERT, JACK
4	AJ-110PM-1	1	GUIDE

A AJ-1100M



THIS DOCUMENT CONTAINS PROPRIETARY INFORMATION OF NEXUS, INCORPORATED AND SUCH INFORMATION MAY NOT BE DISCLOSED TO OTHERS FOR ANY PURPOSE OR USED FOR ANY PURPOSE WITHOUT THE WRITTEN CONSENT OF NEXUS.

ROJONE
PTX LTD.

Australian Representatives
ROJONE, PTY LTD.

Tel: 02 9829 1555
E: sales@rojone.com.au
www.rojone.com.au

DWN.BY	LDE	DATE	07-Jul-05	MATERIAL			
CHECKED BY		DATE		FINISH			
APPR.BY		DATE		WEIGHT	SCALE = 2.00 :1		
UNLESS OTHERWISE SPECIFIED DIMENSIONS ARE IN INCHES TOLERANCES ON				TITLE		NEXUS STAMFORD, CONN	
.XX .XXX ANGLES				JACK - OM		SIZE	DWG. NO.
±.003 ±.5°						A	AJ-1100M

B	REPLACE AJ-1100M WITH AJ-1100X-2		05/07 2012	
LET.	REVISION	CN #	DATE	CHK.