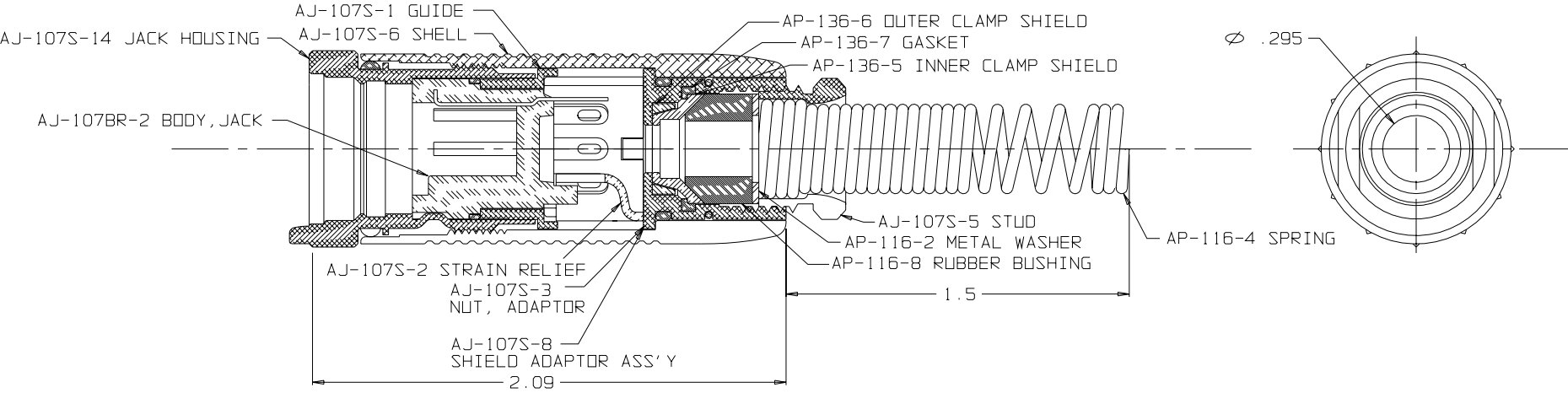
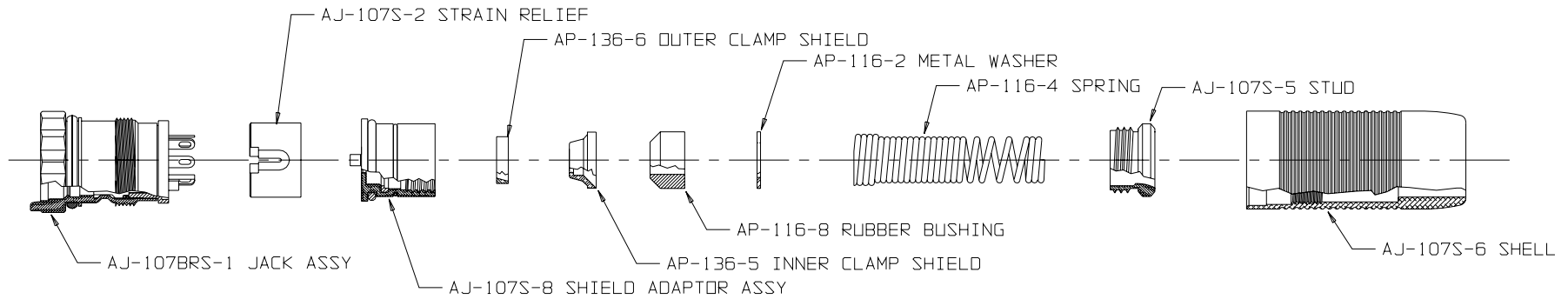


B AJ-107BRS



THIS DOCUMENT CONTAINS PROPRIETARY INFORMATION OF NEXUS, INCORPORATED AND SUCH INFORMATION MAY NOT BE DISCLOSED TO OTHERS FOR ANY PURPOSE OR USED FOR ANY PURPOSE WITHOUT THE WRITTEN CONSENT OF NEXUS.



Australian Representatives
ROJONE, PTY LTD.
 Tel: 02 9829 1555
 E: sales@rojone.com.au
 www.rojone.com.au

| | | | |
|--|------------------|--|--------------|
| DWN. BY M. N. F. | DATE 11/22/94 | MATERIAL | |
| CHECKED BY L. SMITH | DATE 7/23/96 | FINISH | |
| APPR. BY L. SMITH | DATE 7/23/96 | WEIGHT | SCALE 2:1 |
| UNLESS OTHERWISE SPECIFIED DIMENSIONS ARE IN INCHES TOLERANCES ON FRACTIONS DECIMALS ANGLES | | TITLE SEVEN CONDUCTOR SHIELDED AUDIO JACK WITH SPRING BEND RELIEF | |
| | | DO NOT SCALE DWG. | SHEET 1 OF 1 |
| SIZE B | | DWG. NO. AJ-107BRS | |

| LET. | REVISION | CN # | DATE | CHK. |
|------|----------|------|------|------|
| | | | | |