

Product Data

Part Number **A-GPSA98NS-GLO (A-GPSP98S-GLOS Passive)**
Description **GPS L1 /GLONASS-L1 & L Band Satellite Antenna,**
active with LNA

This antenna is our new high performance wideband antenna, which covers GPS-L1, GLONASS-L1, OMNISTAR and L Band Satellites communication frequency bands, such as Iridium & Thuraya systems.

Specifications

A-GPSP98NS-GLO TX/RX Passive without filters for Iridium & Thuraya

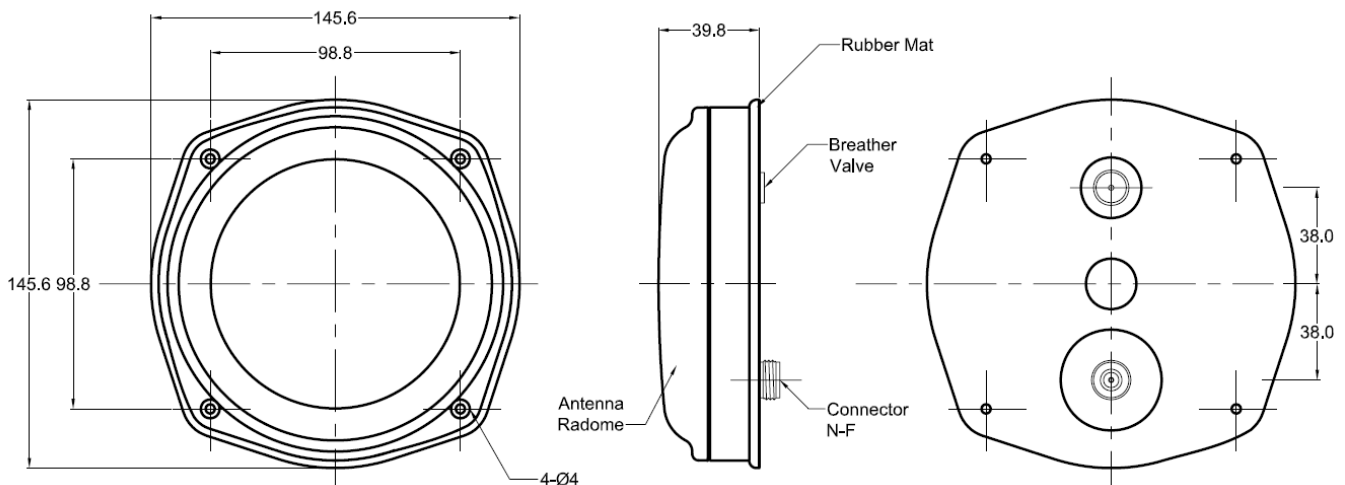
Frequency 1520-1660 MHz
 RF Gain +4dBic +/- 1dB
 VSWR Max <1.5:1
 Polarization RHCP
 Axial Ratio 3dB Max
 Input Power 10 Watts Max

A-GPSA98NS-GLO TX/RX Active with filters for GPS L1, GLONASS-L1 & Omnistar

Frequency 1530-1610MHz
 LNA Gain 35dB +/-1.5dB
 Noise Figure 1.5 typical
 Supply Voltage 3.3-12V/100mA
 Filtering > 60dB for all mobile phone bands & VHF/UHF Radios

Connector N Female as standard
 Size 150 x 150 x 40 + connectors
 Weight 300g Max
 Operating Temp -40 to 60C

Specifications subject to change without notification.



Proudly one of Australia's top 100 Professional & Military Electronics, GPS, RF & Telecommunications companies