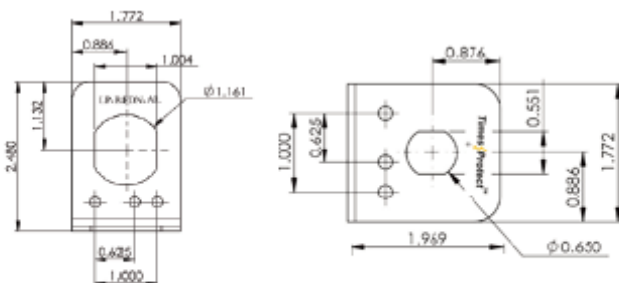
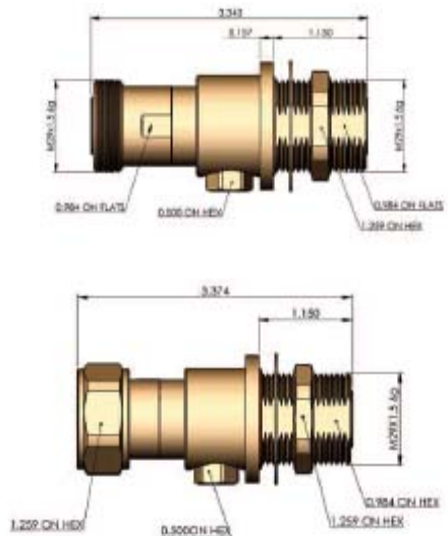


LP-GTR-D 7/16 DIN Series GPS Lightning & Surge Protection

LP-GTR-D is an exception broadband DC pass design for lightening protection applications requiring DC power to be supplied to the electronics. This is the perfect protection solution for distributed antenna systems, tower mounted amplifiers and GPS Systems and other applications requiring DC pass circuitry. These devices exhibit outstanding RF performance with high surge current handling from 50-550 Watts. Fully weatherized housing meets IP67 standard allowing for both indoor and outdoor installation.

Specifications

Part Number	LP-GTR-DFF	(90Vdc/50W)	
7/16 Female	LP-GTR-DFF-23	(230Vdcc/210W)	
Both conn	LP-GTR-DFF-35	(350Vdc/550W)	
7/16 Male to 7/16 Female	LP-GTR-DFM	(90Vdc/50W)	
	LP-GTR-DFM-23	(230Vdcc/210W)	
	LP-GTR-DFM-35	(350Vdc/550W)	
Frequency	DC to 2500 MHz		
Impedance	50 Ohms		
VSWR/Return Loss	<1.08:1 <-28dB (DC to 1000MHz)		
	<1.10:1 <-26dB (1000-2500MHz)		
Insertion Loss	<0.1dB (DC to 1000MHz)		
	<0.2dB (1000-2500MHz)		
Max Surge Current	20kA multiple (8x20us wave-form)		
	DFF/DFM	DFF-23/DFM-23	DFF-35/DFM-35
Impulse Spark over Turn-on	500V(1kV/us)	700V(1kV/us)	00V(1kV/us)
Average Power	50 Watts	210 Watts	550 Watts
Protection Circuit	DC Pass		
Temp Range	-40 to +85 Degrees C		
Torque	220 to 300 lb-in Recommended coupling nut		
Body/Washer/Nut	Brass, White Bronze Plated		
Mounting Bracket	See drawing below		



• Universal Right Angle Bracket Adaptor

