

CLIC® Cable & Pipe Fastening

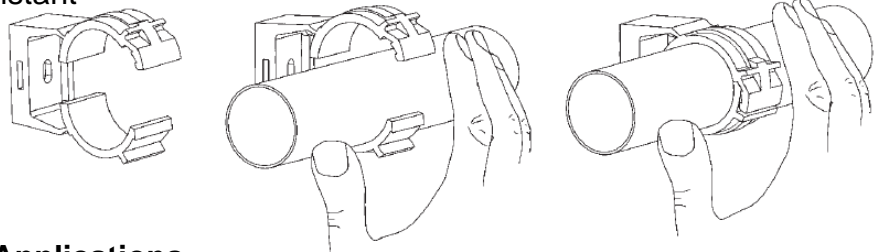
Original 100% Swiss made, proven reliability since 1975

Secure, fast and economical
All-in-one, self-locking
Plastic clamps



CLIC® – The ‘clever’ fastening solution

- Single-handed installation
- Saves up to 40% installation time in comparison to commonly used clamps
- Tested & approved by all the major international CA's
- Resistant to chemicals
- Non-corrosive, weather resistant
- Fire performance
- Halogen & phosphor free
- Noise absorbing
- Wide Diameter Range



CLIC® Cable & Pipe Fastening Applications

Ideal for public areas, building infrastructure Telecommunications, electrical, radiating cables, fire alarm systems, marine for water and compressed air, chemical industry, clean rooms, mining & broadcast tunnel communications.

CLIC 8–64 mm – General purpose

- Dry rooms (to max. +30 °C / 50% humidity)
- High quality copolymer UV Stabilized
- Application temperature –10 to +80 °C
- Static loads
- Tested and approved by: KIWA®, UL®

CLIC 63-127 mm - General purpose

- Moistly environments
- High quality copolymer UV Stabilized
- Application temperature – 0 to + 90° C
- Static loads
- Tested and approved by: KIWA®, UL®

Proudly one of Australia's top 100 Professional & Military Electronics, GPS, RF & Telecommunications companies

Product Data

CLIC® Cable & Pipe Fastening

Original 100% Swiss made, proven reliability since 1975

**Demanding environment, secure, fast and economical
All-in-one, self-locking plastic clamps**

CLIC TOP 8–64 mm

CLIC TOP 63-127 mm



- Indoor and outdoor installations – demanding applications
- Pure Polyamide
- Damp-proof
- Dynamic loading
- High hydrolyse resistance
- Application temperature –40 to +150 °C
- UV loading capacity 5 x higher than PA6/PA66
- Excellent chemical resistance & resistance to deformation
- Tested and approved by: KIWA®, UL® (1565/2043)

CLIC® Cable & Pipe Fastening is approved for the harshest conditions, used in more than 40 countries in mining, road & rail tunnel construction such as the 57km Gotthard base tunnel, the world's longest rail tunnel & the Schoneich road tunnel both in Switzerland.

CLIC®TOP is perfect for harsh weather, chemical environments such as power plants and waste incineration facilities. **CLIC®TOP** is used a range of water & compressed air pipes installations in maritime applications for its superior non-corroding materials and halogen & phosphor free fire performance tested by Alstom the **CLIC®TOP** for use on passenger liners including the Queen Mary II.



Proudly one of Australia's top 100 Professional & Military Electronics, GPS, RF & Telecommunications companies

Product Data

Sizes in function of pipe and cable types

| CLIC ¹ | Steel | | Copper | Cast iron | PE | PVC | Cable ducts metric measures | Coaxial cable inch |
|-------------------|-----------|-------|--------|-----------|-----|-----|--------------------------------|-----------------------|
| | mm | inch | | | | | | |
| 8 | 7,8-9,5 | | | | | | 8 | |
| 10 | 9,5-11,8 | | 10 | | | | 10 | |
| 12 | 11,8-14,3 | 13,5 | 12 | | | | 12 | |
| 15 | 14,3-16,8 | | 15 | | | 16 | 16 | ½ |
| 17 | 16,8-19,5 | 17,2 | 18 | | | | | |
| 20 | 19,5-21,8 | 21,3 | | | | 20 | 20 | ⅝ |
| 22 | 21,8-24,8 | | 22 | | | | | |
| 25 | 24,8-27,8 | 26,9 | | | | 25 | 25 | |
| 28 | 27,8-31,2 | | 28 | | | | | ⅞ |
| 32 | 31,2-35,5 | 33,7 | 35 | | 32 | 32 | 32 | |
| 36 | 35,5-39,5 | | | | | | | 1¼ |
| 40 | 39,5-43,5 | 42,4 | 42 | | 40 | | 40 | |
| 47 | 46,5-50,5 | 48,3 | | 48 | 50 | 50 | 50 | 1⅝ |
| 51 | 50,5-55,5 | | 54 | | | | | |
| 59 | 58,5-64,0 | 60,3 | 64 | | | 63 | | |
| 63 | 63-71 | | | | 63 | | 63 | |
| 71 | 71-80 | 76,1 | 76 | 78 | 75 | 75 | | |
| 80 | 80-90 | 88,9 | 89 | | | | | |
| 90 | 90-101 | | | | 90 | | | |
| 101 | 101-113 | | 108 | 110 | 110 | 110 | | |
| 113 | 113-127 | 114,3 | 114 | | 125 | 125 | | |

¹Clamp size/Clamping range mm

Certifications/recommended loading capacity

| CLIC Clamp Size | KIWA [®] | | UL [®] | | Recomm. load ¹ N |
|--------------------|-------------------|----------|-----------------|----------|--------------------------------|
| | CLIC | CLIC TOP | CLIC | CLIC TOP | |
| 8 | ■ | ■ | ■ | ■ | 170 |
| 10 | ■ | ■ | ■ | ■ | 185 |
| 12 | ■ | ■ | ■ | ■ | 200 |
| 15 | ■ | ■ | ■ | ■ | 220 |
| 17 | ■ | ■ | ■ | ■ | 235 |
| 20 | ■ | ■ | ■ | ■ | 250 |
| 22 | ■ | ■ | ■ | ■ | 270 |
| 25 | ■ | ■ | ■ | ■ | 300 |
| 28 | ■ | ■ | ■ | ■ | 320 |
| 32 | ■ | ■ | ■ | ■ | 370 |
| 36 | ■ | ■ | ■ | ■ | 400 |
| 40 | ■ | ■ | ■ | ■ | 440 |
| 47 | ■ | ■ | ■ | ■ | 470 |
| 51 | ■ | ■ | ■ | ■ | 500 |
| 59 | | | ■ | ■ | 540 |
| 63 | | | ■ | ■ | 600 |
| 71 | | | ■ | ■ | 740 |
| 80 | | | ■ | ■ | 880 |
| 90 | | | ■ | ■ | 1000 |
| 101 | | | ■ | ■ | 1200 |
| 113 | | | ■ | ■ | 1350 |

¹Safety factor ≈ 3 included for hanging mounting at 20 °C

Proudly one of Australia's top 100 Professional & Military Electronics, GPS, RF & Telecommunications companies

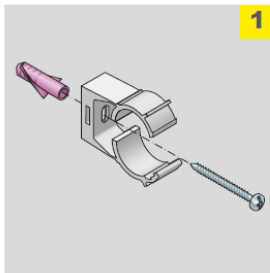
Product Data

CLIC® Cable & Pipe Fastening

Original 100% Swiss made, proven reliability since 1975

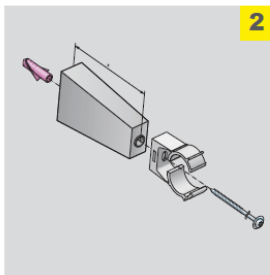
Mounting with system

CLIC® is more than just a pipe clamp: CLIC is a comprehensive installation system with perfectly coordinated parts which can be used on their own or combined with one another in object-related, pre-mounted sets.



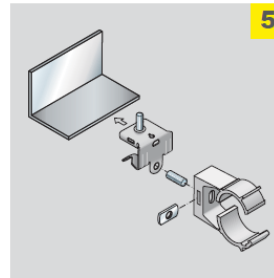
1 Installation with wood screw and DELTA nylon plug.

Surfaces:
Masonry, Concrete



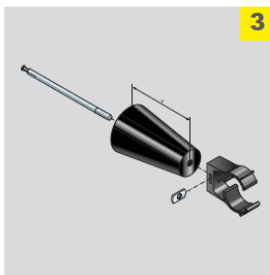
2 Installation with CLIC spacer, round-head wood screw with pressed-on washer and DELTA nylon plug.

Surfaces:
Masonry, Concrete



5 Installation with CLIC hammer on spring steel clamp, CLIC flange and a threaded stud M6

Surface:
Steel beam



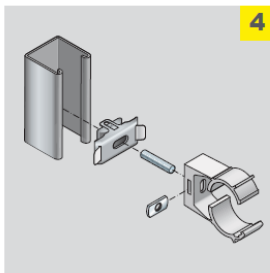
3 Installation with CLIC round spacer, TILCA fire-resisting anchor M6 and CLIC flange. Stainless steel 1.4529 on demand.

Surface:
Concrete



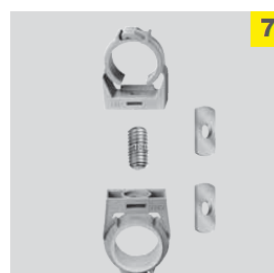
6 Installation of two CLIC onto base plate fixed with TILCA nail-in plug.

Surfaces:
Masonry, Concrete



4 Installation with CLIC SLICK strut nut M6, CLIC flange and a threaded stud M6.

Surface:
Strut 41 × 41 and
41 × 21 mm



7 Installation CLIC to CLIC with threaded stud and two CLIC flanges.

Proudly one of Australia's top 100 Professional & Military Electronics, GPS, RF & Telecommunications companies

CLIC® 8-64mm Clamp Mounting Options

Original 100% Swiss made, proven reliability since 1975



CLIC® 8-64mm mounting for Brick

| | | | |
|---|----------|----------|----------|
| | | | |
| | Art.-Nr. | Art.-Nr. | Art.-Nr. |
| ⓐ | A 10.102 | A 10.202 | A 10.102 |
| ⓑ | A 63.324 | A 63.324 | A 63.100 |
| ⓒ | - | - | A 88.130 |
| ⓓ | A 10.102 | A 10.202 | - |
| ⓔ | A 62.170 | A 62.170 | - |
| ⓕ | - | - | - |

rostfrei – inoxydable – stainless steel

CLIC® 8-64mm mounting for Concrete

| | | | | | | |
|---|----------|----------|----------|----------|----------|----------|
| | | | | | | |
| | Art.-Nr. | Art.-Nr. | Art.-Nr. | Art.-Nr. | Art.-Nr. | Art.-Nr. |
| ⓐ | A 10.102 | A 10.202 | A 10.102 | A 42.100 | A 42.100 | A 45.850 |
| ⓑ | A 63.324 | A 63.324 | A 63.100 | B 16.111 | A 64.119 | A 88.130 |
| ⓒ | - | - | A 88.130 | A 88.130 | - | - |
| ⓓ | A 10.102 | A 10.202 | - | A 42.105 | - | - |
| ⓔ | A 62.170 | A 62.170 | - | B 16.115 | - | - |
| ⓕ | - | - | - | A 88.240 | - | - |

rostfrei – inoxydable – stainless steel

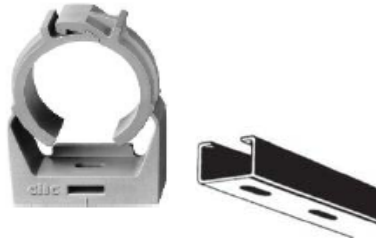
Proudly one of Australia's top 100 Professional & Military Electronics, GPS, RF & Telecommunications companies





















































































































































































































































































































Product Data

CLIC® 8-64mm Clamp Mounting Options

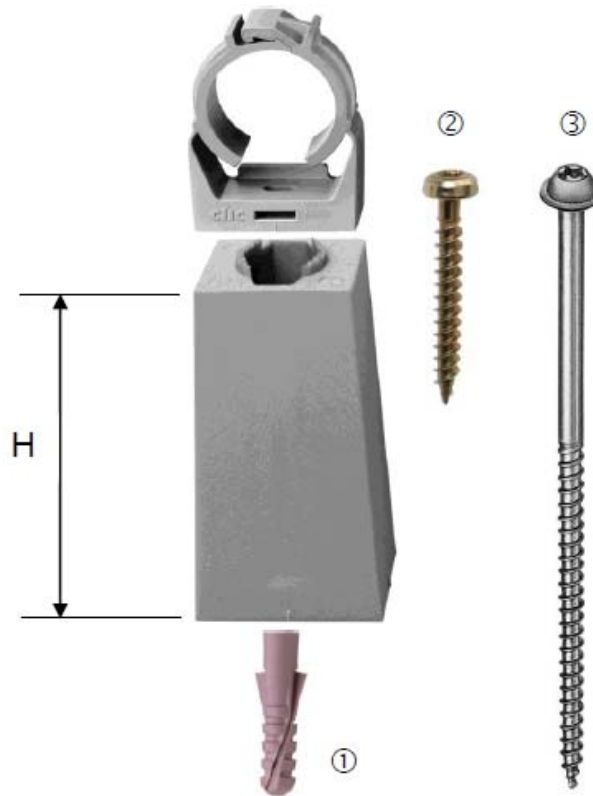
Original 100% Swiss made, proven reliability since 1975

CLIC® 8-64mm mounting for Unistrut 41x41mm



| | | | |
|--|---|---|---|
| |  |  |  |
| |  |  |  |
| |  | |  |
| |  |  |  |
| |  | |  |
| |  |  |  |
| |  | |  |
| |  |  |  |
| |  | |  |
| |  |  |  |
| |  | |  |
| |  |  |  |
| |  | |  |
| |  |  |  |
| |  | |  |
| |  |  |  |
| |  | |  |
| |  |  |  |
| |  | |  |
| |  |  |  |
| |  | |  |
| |  |  |  |
| |  | |  |
| |  |  |  |
| |  | |  |
| |  |  |  |
| |  | |  |
| |  |  |  |
| |  | |  |
| |  |  |  |
| |  | |  |
| |  |  |  |
| |  | |  |
| |  |  |  |
| |  | |  |
| |  |  |  |
| |  | |  |
| |  |  |  |
| |  | |  |
| |  |  |  |
| |  | |  |
| |  |  |  |
| |  | |  |
| |  |  |  |
| |  | |  |
| |  |  |  |
| |  | |  |
| |  |  |  |
| |  | |  |
| |  |  |  |
| |  | |  |
| |  |  |  |
| |  | |  |
| |  |  |  |
| |  | |  |
| |  |  |  |
| |  | |  |
| |  |  |  |
| |  | |  |
| |  |  |  |
| |  | |  |
| |  |  |  |
| |  | |  |
| |  |  |  |
| |  | |  |
| |  |  |  |
| |  | |  |
| |  |  |  |
| |  | |  |
| |  |  |  |
| |  | |  |
| |  |  |  |
| |  | |  |
| |  |  |  |
| |  | |  |
| |  |  |  |
| |  | |  |
| |  |  |  |
| |  | |  |
| |  |  |  |
| |  | |  |
| |  |  |  |
| |  | |  |
| |  |  |  |
| |  | |  |
| |  |  |  |
| |  | |  |
| |  |  |  |
| |  | |  |
| |  |  |  |
| |  | |  |
| |  |  |  |
| |  | |  |
| |  |  |  |
| |  | |  |
| |  |  |  |
| |  | |  |
| |  |  |  |
| |  | |  |
| |  |  |  |
| |  | |  |
| |  |  |  |
| |  | |  |
| |  |  |  |
| |  | |  |
| |  |  |  |
| |  | |  |
| |  |  |  |
| |  | |  |
| |  |  |  |
| |  | |  |
| |  |  |  |
| |  | |  |
| |  |  |  |
| |  | |  |
| |  |  |  |
| |  | |  |
| |  |  |  |
| |  | |  |
| |  |  |  |
| |  | |  |
| |  |  |  |
| |  | |  |
| | | | |

CLIC® 8-64mm Clamp Spacer Mounting systems
Original 100% Swiss made, proven reliability since 1975

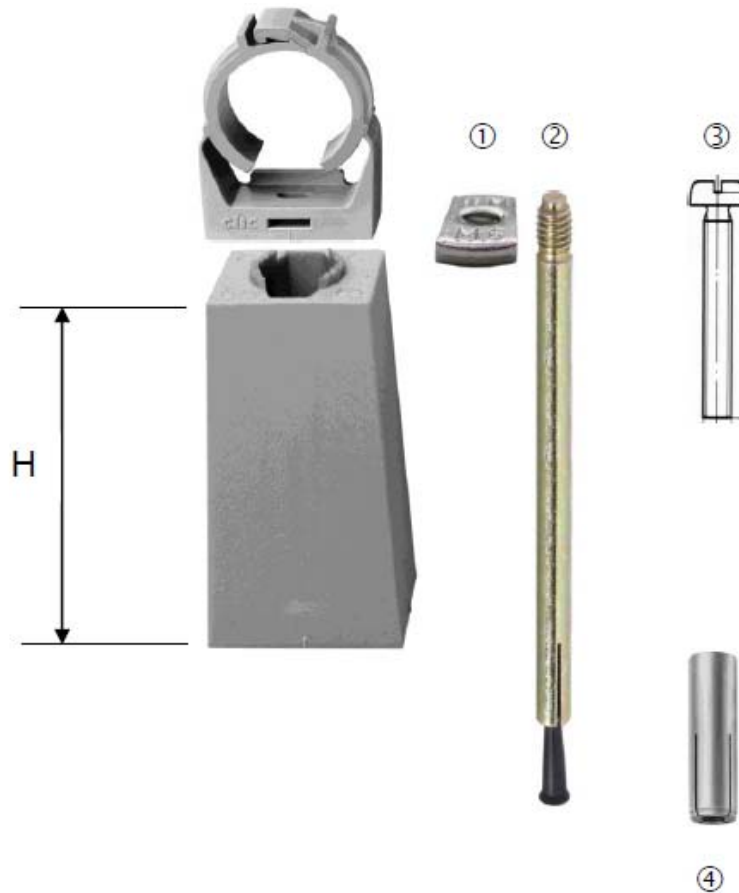


| H | ① Art.-Nr. | ② Art.-Nr. | ② A2 Art.-Nr. | ③ A4 Art.-Nr. |
|-----|------------|------------|---------------|---------------|
| 2,5 | A 10.102 | A 63.324 | A 63.107 | A 62.170 |
| 5 | A 10.102 | A 63.325 | A 63.107 | A 62.178 |
| 15 | A 10.102 | * | A 63.108 | A 62.183 |
| 25 | A 10.102 | * | A 63.109 | A 62.184 |
| 35 | A 10.102 | * | * | A 62.179 |
| 45 | A 10.102 | * | * | A 62.180 |
| 65 | A 10.102 | * | * | A 62.181 |
| 85 | A 10.102 | * | * | A 62.185 |

Stainless Steel

Proudly one of Australia's top 100 Professional & Military Electronics, GPS, RF & Telecommunications companies

CLIC® 8-64mm Clamp Spacer Mounting systems
 Original 100% Swiss made, proven reliability since 1975



| H | ① Art.-Nr. | ② Art.-Nr. | ③ Art.-Nr. | ④ Art.-Nr. | ① Art.-Nr. | ② Art.-Nr. | ③ Art.-Nr. | ④ Art.-Nr. |
|-----|---------------|---------------|---------------|---------------|---------------|---------------|---------------|---------------|
| 2,5 | A 88.130 | * | A 64.119 | A 42.100 | A 88.240 | * | * | A 42.105 |
| 5 | A 88.130 | * | A 64.120 | A 42.100 | A 88.240 | * | * | A 42.105 |
| 15 | A 88.130 | * | A 64.122 | A 42.100 | A 88.240 | * | * | A 42.105 |
| 25 | A 88.130 | * | A 64.123 | A 42.100 | A 88.240 | * | * | A 42.105 |
| 35 | A 88.130 | A 45.805 | A 64.124 | A 42.100 | A 88.240 | A 45.825 | * | A 42.105 |
| 45 | A 88.130 | A 45.806 | A 64.125 | A 42.100 | A 88.240 | A 45.826 | * | A 42.105 |
| 65 | A 88.130 | A 45.808 | A 64.126 | A 42.100 | A 88.240 | A45.828 | * | A 42.105 |
| 85 | A 88.130 | A 45.810 | A 64.127 | A 42.100 | A 88.240 | A 45.830 | * | A 42.105 |

Stainless Steel

Proudly one of Australia's top 100 Professional & Military Electronics, GPS, RF & Telecommunications companies

CLIC® 8-64mm Clamp Spacer Mounting systems

Original 100% Swiss made, proven reliability since 1975

Round Spacer - Stainless Steel A4



| H | ① Art.-Nr. | ① Art.-Nr. | ② Art.-Nr. | ③ Art.-Nr. | ④ Art.-Nr. | ① Art.-Nr. | ② Art.-Nr. | ③ Art.-Nr. | ④ Art.-Nr. |
|----|---------------|---------------|---------------|---------------|---------------|---------------|---------------|---------------|---------------|
| 50 | A 88.274 | A 88.130 | A 45.812 | A 64.128 | A 42.100 | A 88.240 | A 45.814 | A 64.129* | A 42.105 |
| 80 | A 88.275 | A 88.130 | A 45.810 | A 64.127 | A 42.100 | A 88.240 | A 45.830 | A 64.130* | A 42.105 |

| H | ① Art.-Nr. | ③ Art.-Nr. | ⑥ Art.-Nr. |
|----|---------------|---------------|---------------|
| 50 | A 88.274 | A 10.102 | A 62.180 |
| 80 | A 88.275 | A 10.102 | A 62.185 |

Proudly one of Australia's top 100 Professional & Military Electronics, GPS, RF & Telecommunications companies

Product Data

CLIC® 63-127mm Clamp Mounting Options

Original 100% Swiss made, proven reliability since 1975



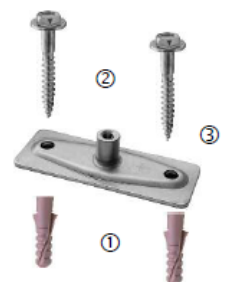
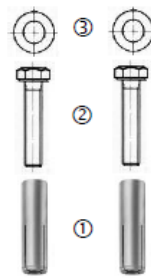
CLIC® 63-127mm mounting for Brick



| | Art.-Nr. | Art.-Nr. | Art.-Nr. |
|---|----------|----------|-----------------|
| ① | A 10.105 | A 10.205 | A 10.105 |
| ② | A 64.259 | A 64.259 | A 62.192 |
| ③ | A 66.106 | A 66.106 | A 73.346 - 1/2" |
| ④ | - | - | - |
| ⑤ | - | - | - |
| ⑥ | - | - | - |

rostfrei – inoxvtable – stainless steel

CLIC® 63-127mm mounting for Concrete



| | Art.-Nr. | Art.-Nr. | Art.-Nr. | Art.-Nr. | Art.-Nr. |
|---|----------|----------|----------|----------|-----------------|
| ① | A 10.105 | A 10.205 | A 42.101 | A 43.506 | A 10.105 |
| ② | A 64.259 | A 64.259 | A 64.142 | - | A 62.192 |
| ③ | A 66.106 | A 66.106 | A 66.106 | - | A 73.346 - 1/2" |
| ④ | - | - | A 42.106 | A 43.376 | - |
| ⑤ | - | - | - | - | - |
| ⑥ | - | - | A 66.116 | - | - |

rostfrei – inoxivable – stainless steel

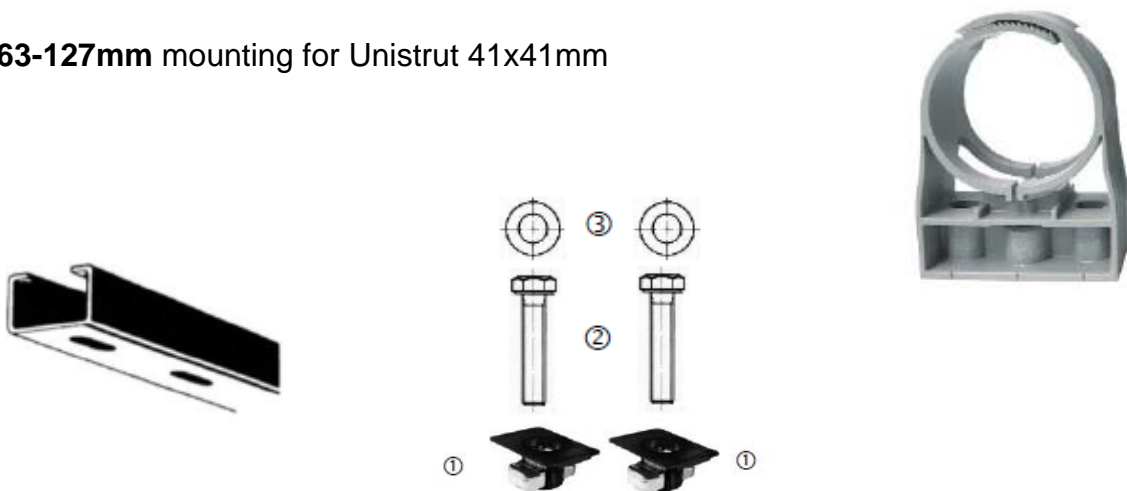
Proudly one of Australia's top 100 Professional & Military Electronics, GPS, RF & Telecommunications companies

Product Data

CLIC® 63-127mm Clamp Mounting Options

Original 100% Swiss made, proven reliability since 1975

CLIC® 63-127mm mounting for Unistrut 41x41mm



| | Art.-Nr. |
|---|----------|
| ① | A 85.236 |
| ② | A 64.143 |
| ③ | A 66.106 |
| ① | - |
| ② | - |
| ③ | - |

rostfrei – inoxydable – stainless steel

Proudly one of Australia's top 100 Professional & Military Electronics, GPS, RF & Telecommunications companies

PO Box 1, Casula NSW 2170 – 44 Aero Road, Ingleburn NSW 2565 Australia
T 61 2 9829 1555 – **F** 61 2 9605 8812 – **E** sales@rojone.com.au – www.rojone.com.au