



GPS L1/L2 Divider/Repeater, with Alarm Box (Model: ROJ-150A)

Description

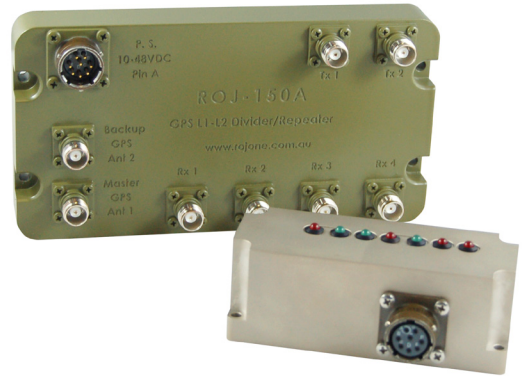
ROJ-150A is a high performance GPS repeater/distributor specially designed for Armoured Personnel Carrier (APC) applications.

ROJ-150A also can be used as:

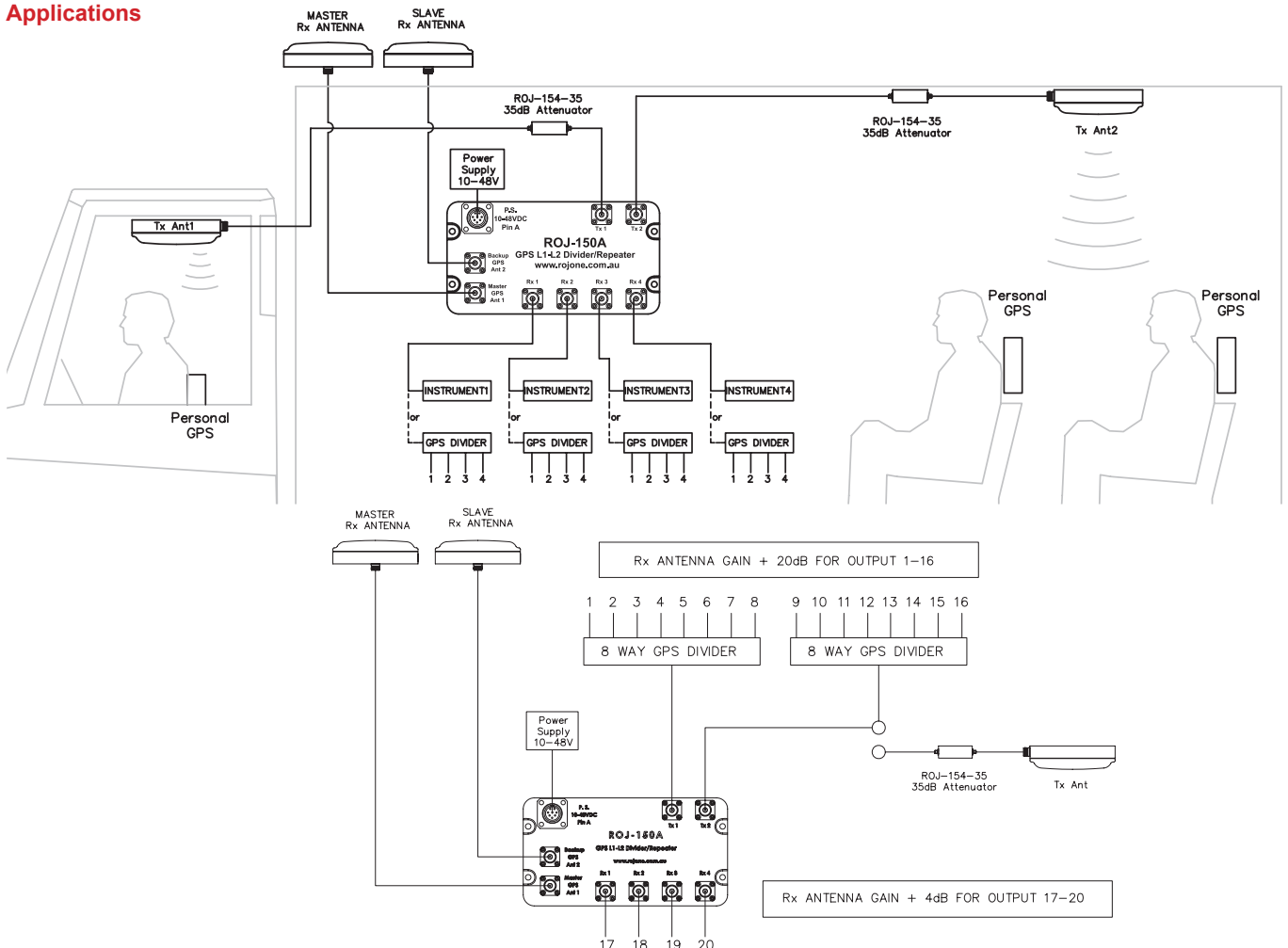
- A professional work shop repeater/distributor covering the GPS L1/L2/L5, GLONASS L1/L2, Galileo and Baidou frequency bands. This can be easily configured into a 20 to 40-way divider by connecting extra 8-way and 4-way dividers to the TX ports.
- A multi-channel divider for satellite communication systems.

ROJ-150A is a dual GPS antenna system. One receiving antenna works as a master and another works as a slave. When the master antenna is out of order, the slave antenna will be switched in automatically.

The standard ROJ-150A can be connected to Rojone's RX antennas or any military antennas that have an operating current between 25mA and 105mA. For antennas with an operational current outside this window please consult Rojone. We can modify the current alarm window to meet the customer's needs.



Applications



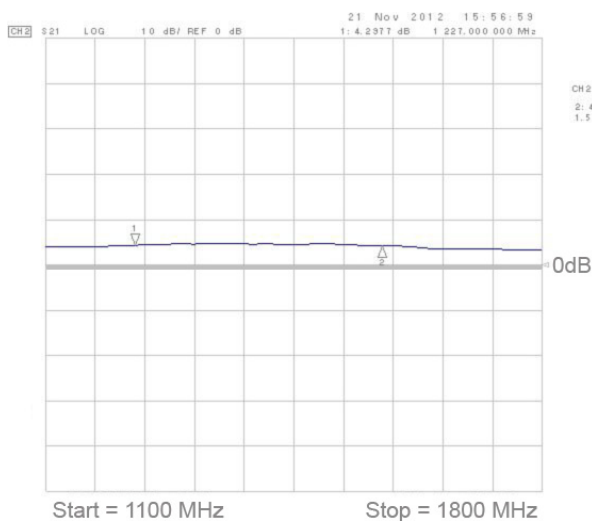


Specifications

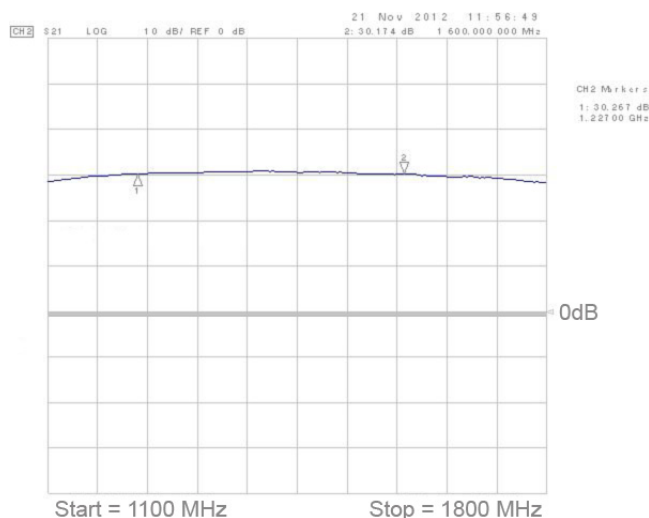
Part No.	ROJ-150A					
Op Frequency	1100 – 1800 MHz					
Impedance	50Ohm					
RF Connectors	TNC-F					
VSWR	≤ 2:1 for all ports					
Supply Voltage	10 – 48 VDC					
Power Consumption	< 5 Watts					
Op. Temperature	-30 to +85 C					
Humidity	100 %					
Gain from RX Antenna to:	TX1 (dB) Typical	TX2 (dB) Typical	RX1 (dB) Typical	RX2 (dB) Typical	RX3 (dB) Typical	RX4 (dB) Typical
Antenna 1	30	30	4	4	4	4
Antenna 2	30	30	4	4	4	4
DC Termination	N/A	N/A	220 Ohms	220 Ohms	220 Ohms	220 Ohms
Isolation	>20dB between any two ports.					
Antenna 1 Alarm On	Alarm is activated if master ANT1's current is <25mA or >105mA and slave antenna is switched in automatically.					
Antenna 2 Alarm On	Alarm is activated if slave ANT2's current is <25mA or >105mA					
Isolation Alarm	≥ -45dBm at input of ANT1 or ANT2					
Size	183mm x 98mm x 23mm					
Weight	775g					
Mounting Screw	M4x20 recommended					

Test Results

Typical Gain from ANT1 or ANT2
to RX1, RX2, RX3 or RX4



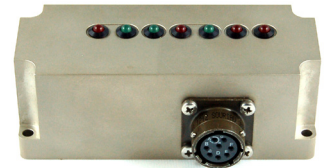
Typical Gain from ANT1 or ANT2
to TX1 or TX2





Alarm Box Description

The alarm box is designed to aid the installation of ROJ-150A and also for troubleshooting purposes. It can be connected to the control box permanently to provide continuous monitoring of the status of ROJ-150A or temporarily as a troubleshooting device.



Status Chart

	Normal	Alarm	Troubleshooting / Action
ANT1	Green	Red	Check RX antenna 1 (Antenna 2 will be switched in automatically)
ANT2	Green	Red	Check RX antenna 2
PWR	Green	OFF	Check power supply, cable and connections.
AMP	OFF	Red	Return to Rojone factory for service.
ISO	OFF	Red	<ol style="list-style-type: none"> During installation phase increase the distance between RX antenna and TX antenna. Increase attenuation with variable attenuator but still maintain adequate coverage. If this alarm comes on after a period of normal operation, please check for an interference source nearby the RX antenna, such as high power radars or transmitters.

Specifications

Weight	279g
Dimensions	109 x 42 x 40mm
Mounting Screw	M4x15 recommended

