



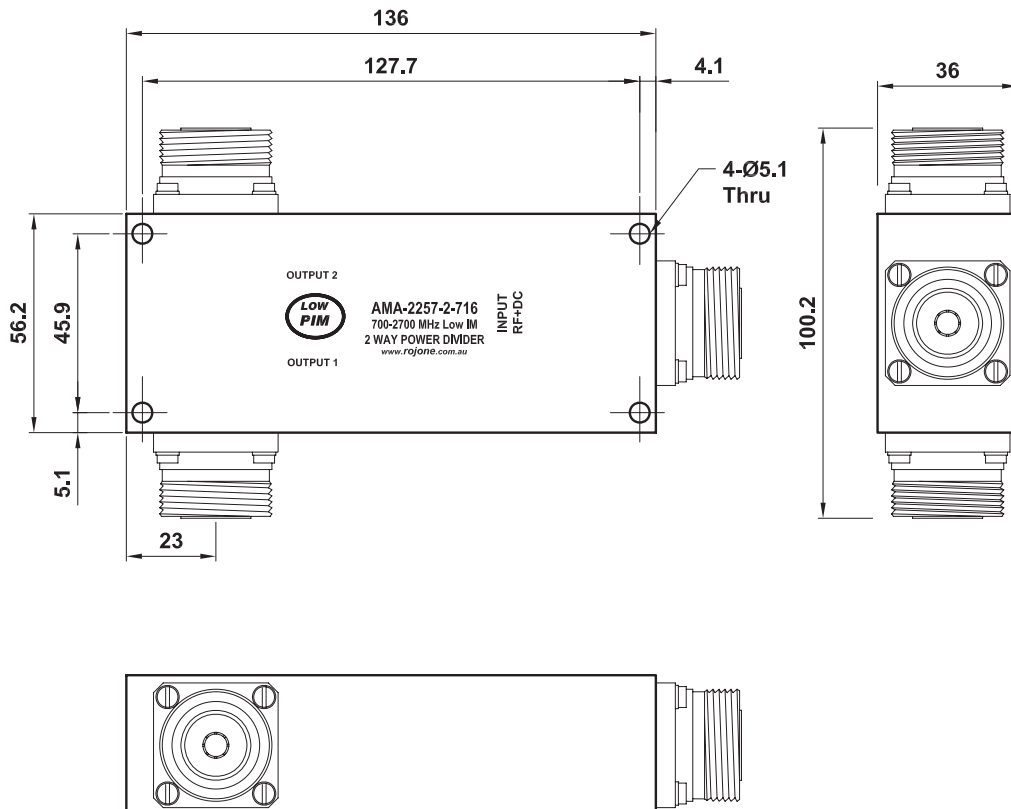
## 700-2700MHz Low IM 2-Way Power Divider

**Model: AMA-2257-2-716**  
**AMA-2257-2-716-HP**

### Specifications

	AMA-2257-2-716	AMA-2257-2-716-HP
<b>Frequency</b>	700-2700 MHz	700-2700 MHz
<b>Input RF Power</b>	100 Watts @ IL <-20dB 50 Watts @ IL <-15dB 20 Watts @ IL <-10dB	200W @ VSWR <2:1
<b>IM3</b>	-155dBc @ 43dBm x2	-150dBc @ 43dBm x2 -155dBc typical
<b>Isolation</b>	20dB minimum	
<b>I/O Return Loss</b>	20dB minimum	-20dB typical
<b>Amp Balance</b>	< ±0.3dB	< ±0.5dB
<b>RF Connector</b>	DIN 7/16 Female	DIN 7/16 Female
<b>Op. Temperature</b>	-40°C to +75°C	-40°C to +65°C
<b>Humidity</b>	100%	100%
<b>Weight</b>	0.8 Kg	1.7 Kg

### AMA-2257-2-716





**AMA-2257-2-716-HP**

