



## GPS-A8 Timing Antenna (Model: A-GPSA80NS)

### Description

A-GPSA80NS is a high performance GPS antenna, specially designed and manufactured by Rojone for GPS timing applications.

A-GPSA80NS provides super stable phase/gain parameters with up to 80dB rejection to all mobile phone and Wi-Fi signals. It's the best choice for base station timing applications where a lot of high power transmitters are installed.

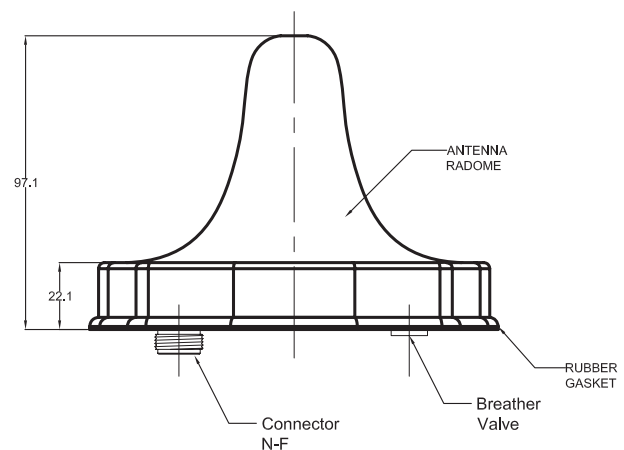
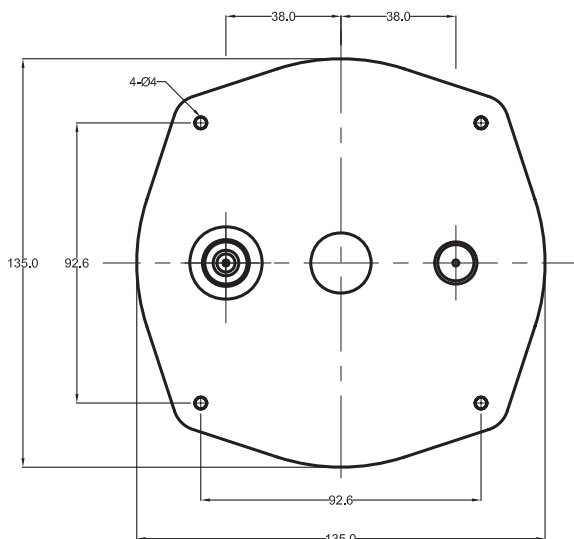
A-GPSA80NS can be directly connected to any GPS receivers working from a 2.7-15V supply.



### Specifications

<b>Frequency</b>	1575 +/- 5MHz
<b>Gain</b>	35 dB typical
<b>Power Supply</b>	2.7-15V / 35mA
<b>Noise Figure of LNA</b>	0.5dB typical
<b>Filtering</b>	80dB to all mobile phones and Wi-Fi signals
<b>RF Connector</b>	N Female, bottom exit
<b>Op. Temperature</b>	-40°C to +65°C
<b>Humidity</b>	100%
<b>MTBF</b>	100KH typical
<b>Weight</b>	235g
<b>Size</b>	146x100mm (diameter x height)

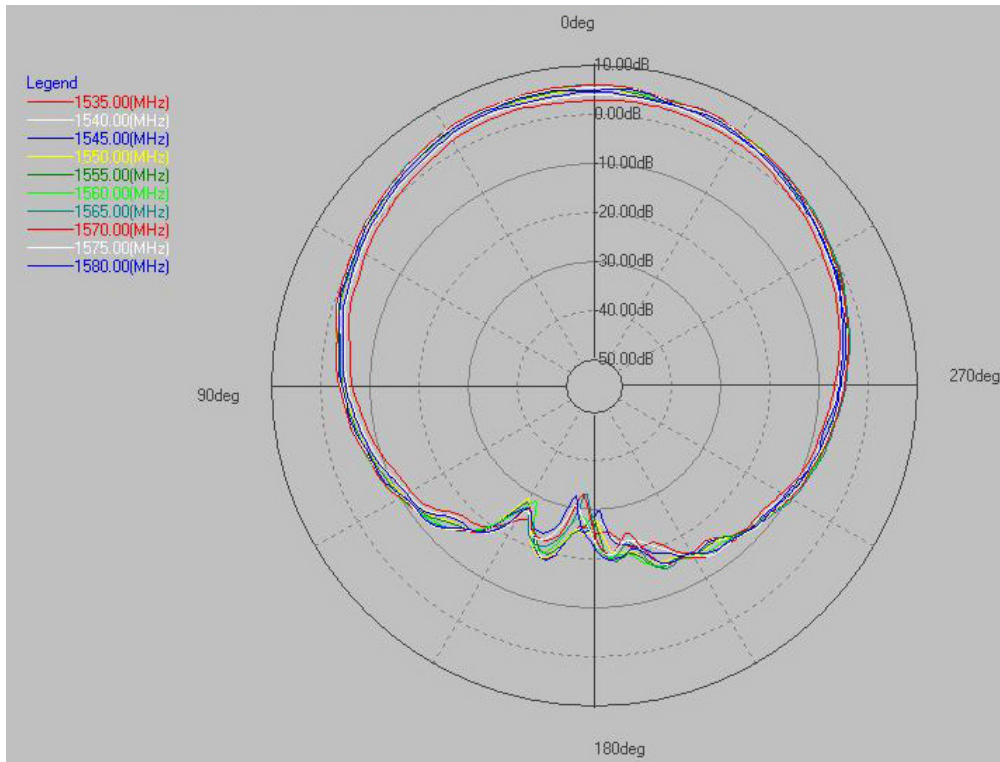
Brackets available on request. Please contact Rojone for details.



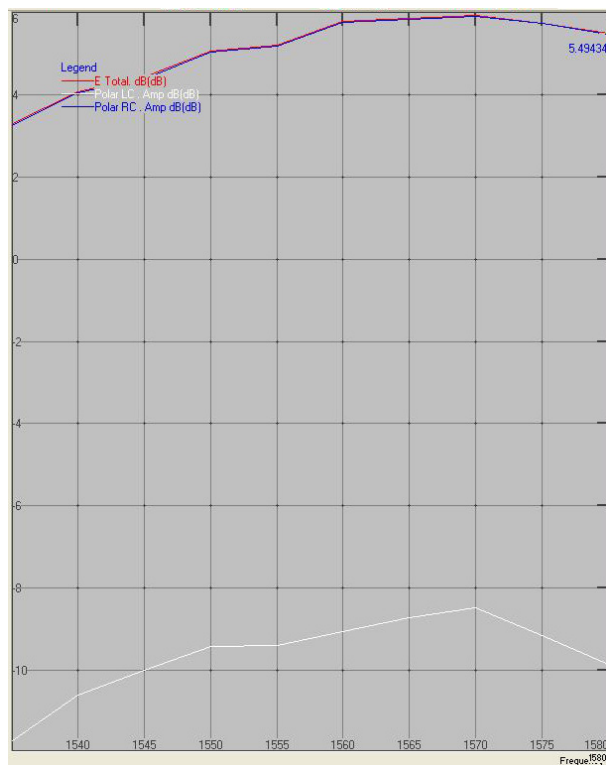


## Typical Performance

### Elevation - GPS Antenna



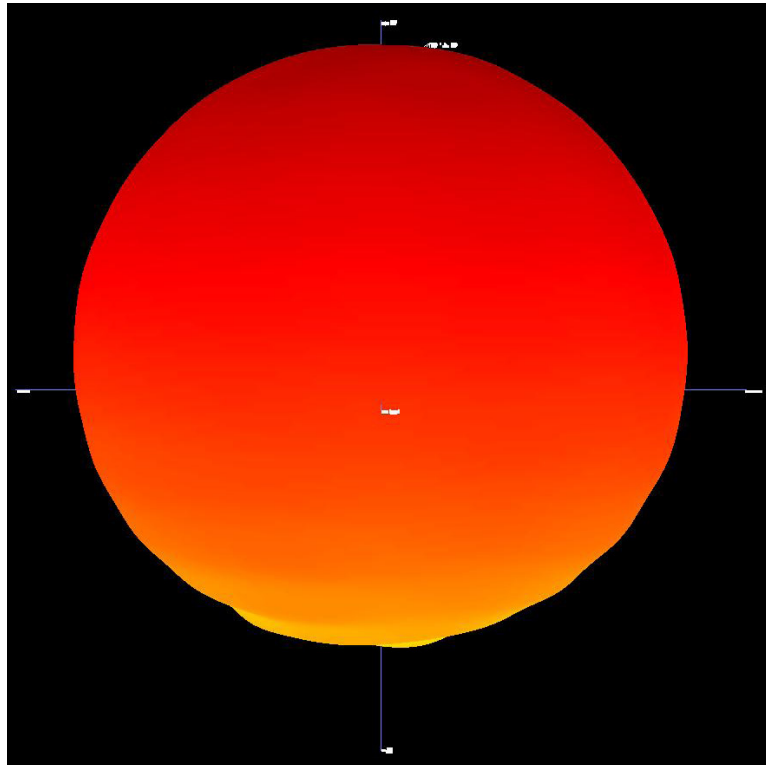
### Gain - GPS Antenna





## Typical Performance

### Radiation Pattern - Side View



### Radiation Pattern - Top View

