



GPS/GLONASS+GSM Combination Antenna

(Model: A-GPSAGLGSMxxxx)

Specifications



Electrical Specifications - Dielectric Antenna

No.	Item	Specifications	Post Environmental Tolerance
1	Centre Frequency (MHz)	1590 MHz	± 3 MHz
2	Bandwidth (MHz)	± 5 MHz	± 1 MHz
3	V.S.W.R (in BW)	1.5 : 1	-
4	Gain (Zenith)	3 dB	± 0.5 dB
5	Polarisation	RHCP	-
6	Impedance	50 ohms	-

Electrical Specifications - LNA/Filter

No.	Item	Specifications	Post Environmental Tolerance
1	LNA Gain	28 ± 2 dB	± 2.5 dB
2	Noise Figure	1.5 dB	-
3	Filter Out Band Attenuation	12 dB min. f0 + 50 MHz 16 dB min. f0 - 50 MHz	± 1.0 dB
4	DC Voltage	2.2 ~ 5V	
5	DC Current	5 ~ 15 mA	

Electrical Specifications - GSM Antenna

No.	Item	Specifications
1	Frequency (MHz)	912-928 MHz
2	VSWR (5m)	≤ 2.0:1
3	Gain (Zenith)	2 dBi
4	Impedance	50 ohms

Mechanical Specifications

No.	Item	Specifications
1	Cable	RG174 (please specify length when ordering)
2	Connector	SMA/SMB/MCX or others (see page 3)
3	Plastic Housing	Black
4	Mounting	Magnet/Adhesive/Screw



Reliability Condition

Temperature	40±5°
Load	DC = 5V ±0.5 V
Quantity	2000pcs
Sustained Time	48h

Environmental Specifications

Post Environmental Tolerance	(See page 1)
Condition Temperature Range	25 ±3°
Relative Humidity Range	55 ~ 75% RH
Operating Temperature Range	-40°C ~ +85°C
Storage Temperature Range	-40°C ~ +85°C

Moisture Proof

The device should satisfy the electrical characteristics specified above after exposed to the temperature 40±2° and the relative humidity 90~95% RH for 96 hours and 1~2 hours recovery time under normal condition.

Vibration Resist

The device should satisfy the electrical characteristics specified above after applied to the vibration of 10 to 55Hz with amplitude of 1.5mm for 2 hours each in X , Y and Z directions.

Drop Shock

The device should satisfy the electrical characteristics specified above after dropping onto the hard wooden board from the height of 30cm for 3 times each facet of the 3 dimensions of the device.

High Temperature Endurance

The device should satisfy the electrical characteristics specified above after exposed to temperature 80 ± 5°C for 24 ± 2 hours and 1~2 hours recovery time under normal temperature.

Low Temperature Endurance

The device should also satisfy the electrical characteristics specified above after exposed to the temperature -40° ± 5° for 24 ± 2 hours and to 2 hours recovery time under normal temperature.

Temperature Cycle Test

The device should also satisfy the electrical characteristics specified above after exposed to the low temperature -25°C and high temperature +85°C for 30 ± 2 min each by 5 cycles and 1 to 2 hours recovery time under normal temperature.

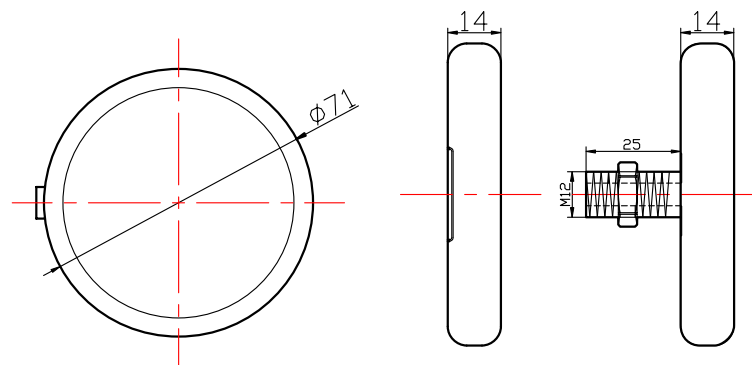
Weatherproof

Put the antennas in 1m deep water for 12h, and find 100% waterproof.



Part Number Options

A-GPSAGLGSM **X X X X**



Length (in metres)

R Right Angle
S Straight

P Plug (Male Connector)
S Socket (Female Connector)

Connector Style

S SMA Type Connector
B BNC Type Connector
M MCX Type Connector
T TNC Type Connector
N N Type Connector
O No Connector

Technical Specifications

