



# 100W 0-3GHz Attenuator (Model: AMA-9310030-xx)

## Features

- ❖ Low VSWR
- ❖ High Power
- ❖ Broadband
- ❖ High Accuracy



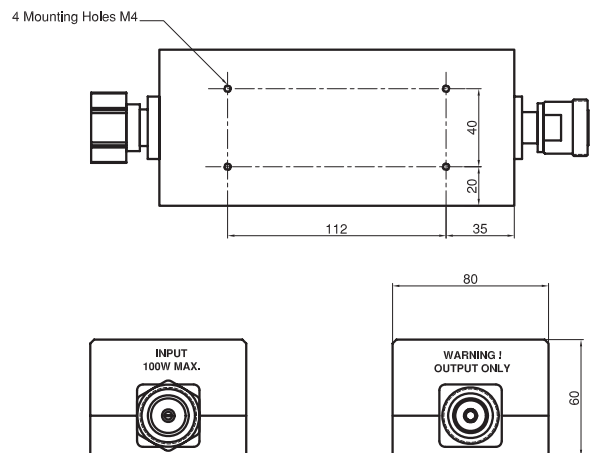
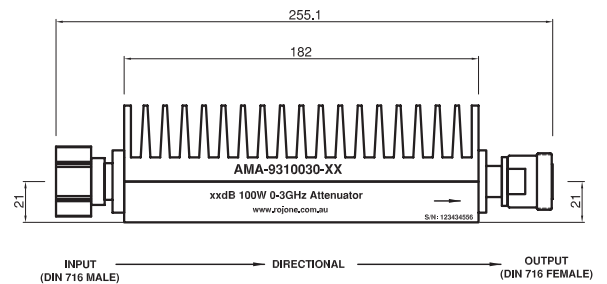
## Description

AMA-9310030 Series 100W attenuators are designed to operate from DC to 3GHz with low VSWR and high accuracy. They can be used for high power RF measurement and systems testing. The typical accuracy of the attenuator is +/- 0.15dB for 0-2GHz band and +/- 0.3dB for 0-3GHz band.

## Specifications

### General Specifications

<b>Frequency</b>	DC to 3GHz
<b>VSWR</b>	< 1.15 (DC to 1.0GHz) < 1.35 (1.0 to 3.0GHz)
<b>Attenuation</b>	3, 6, 10, 15, 20, 30 & 50dB (typ)
<b>Attenuation Accuracy</b>	±0.3dB or 3% WIG
<b>RF Input Power</b>	100W CW @ 20°C
<b>Peak Power</b>	10KW max. (10 μs)
<b>Op. Temperature</b>	-20°C to +50°C
<b>Weight</b>	1.8 Kg
<b>Connectors</b>	Input - DIN 716 Male Output - DIN 716 Female



### Test Results (10dB typical)

