
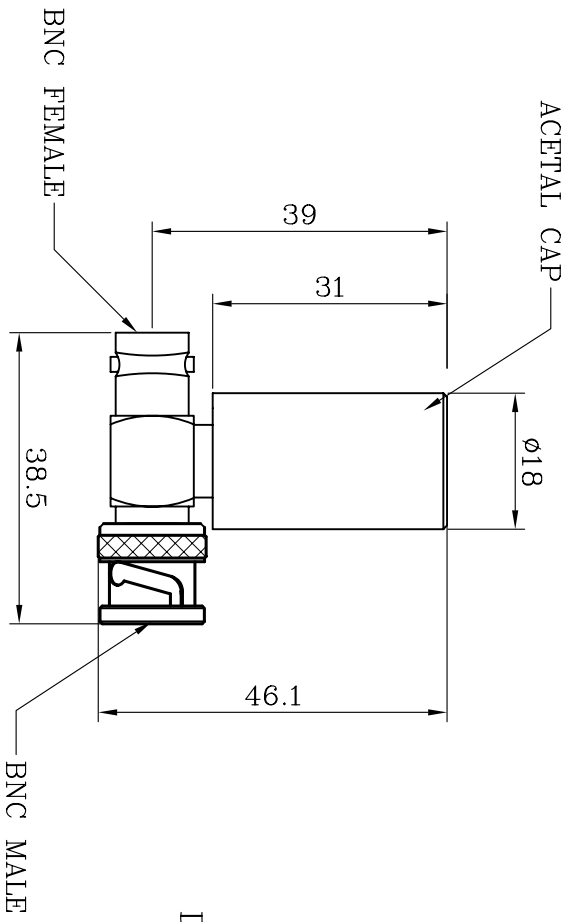


REV. NO.	REVISIONS
1	
2	

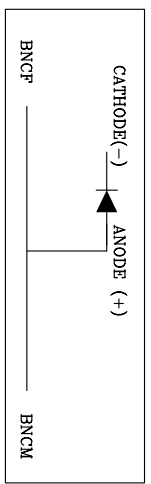
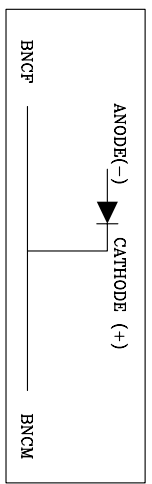
3rd ANGLE PROJECTION
 THE DOCUMENT AND THE DESIGN SHOWN THEREON IS THE PROPERTY OF ROJONE PTY LTD AND MUST NOT BE SOLD, LENT, GIVEN AWAY, COPIED, REPRODUCED OR OTHERWISE DIVULGED TO ANY THIRD PARTY OR USED FOR MANUFACTURE, OR ANY OTHER PURPOSE WITHOUT WRITTEN PERMISSION OF ROJONE PTY LTD.

SPECIFICATION


Part No : API-BNCF-1N649CP-BNCFM
 Diode Orientation : Cathode to Center Pin
 Anode to Shield
 Frequency : N/A
 Connector : BNC Female to BNC Male
 Impedance : 50 Ohms



Part No : API-BNCF-1N649AS-BNCFM
 Diode Orientation : Cathode to Shield
 Anode to Center Pin
 Frequency : N/A
 Connector : BNC Female to BNC Male
 Impedance : 50 Ohms



UNLESS OTHERWISE STATED ALL DIMENSIONS ARE IN MILLIMETRES (mm) TOLERANCE: LINEAR ± 0.1 ANGULAR $\pm 1^\circ$ REMOVE ALL BURRS AND SHARP EDGES

 <p>ROJONE PTY LTD ACN 002691241 44 AERO RD INGLEBURN 2565 STONEY AUSTRALIA Ph: (612) 9829 1555 Fax: (612) 9605 9812 Web: www.rojone.com.au E-mail: sales@rojone.com.au</p>		<p>TITLE SIGNAL BLANKING DEVICE API-BNCF-1N649CP-BNCF API-BNCF-1N649AS-BNCFM DRWG No: 100001001055</p>	
MATERIAL	AS PART	DRAWN	Y. GU
FINISH	AS PART	CHECKED	
APPROVED		SCALE	1:1
FILENAME		SHEET	1 OF 1
10		A4	

REVISION	DATE
A	20111005
L. G.	CHECKED