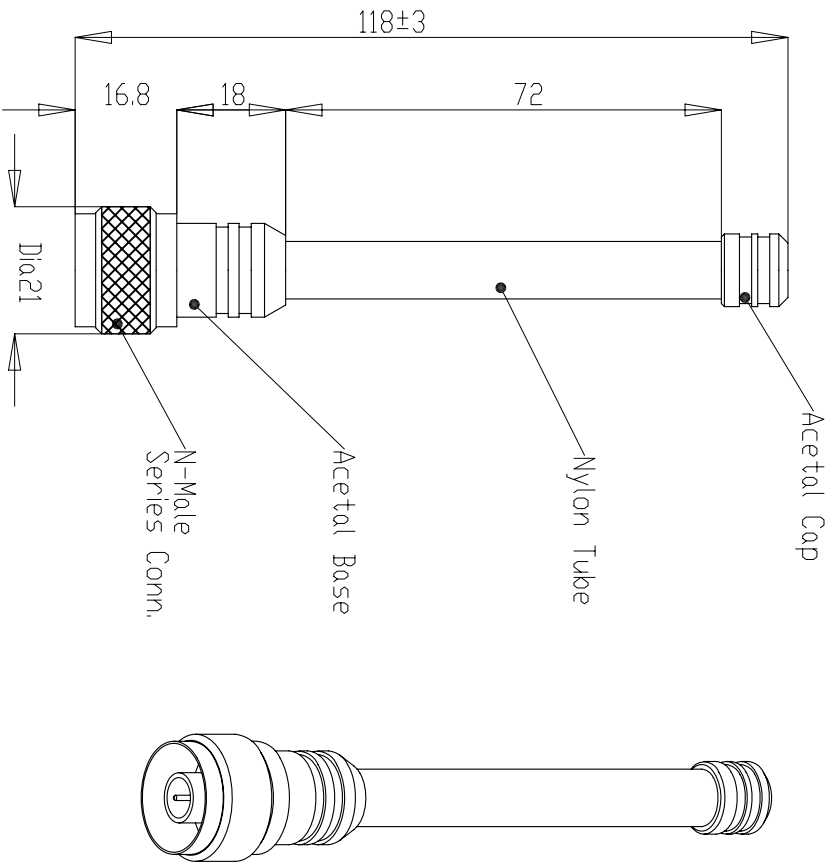


1	2	3	4	5	6	7	8	9	10	11	12
REVISIONS		3rd ANGLE PROJECTION									
ISS ZONE	DESCRIPTION	PER REQUEST	DATE	THIS DOCUMENT AND THE DESIGN SHOWN THEREON IS THE PROPERTY OF ROJONE PTY LTD AND MUST NOT BE SOLD, LENT, GIVEN AWAY, COPIED, REPRODUCED OR OTHERWISE DIVULGED TO ANY THIRD PARTY OR USED FOR MANUFACTURE, OR ANY OTHER PURPOSE WITHOUT DIRECT WRITTEN PERMISSION OF ROJONE PTY LTD.							
				DO NOT SCALE							



SPECIFICATION

Part Number: A-900-13A-FLX6

B/W: 100MHz@-15dB R/C

R/L: -18dB (typ) 15dB Worst

Freq Center: 2.45 GHz

Gain: 2 dBi (Typ)

3 dBi W/H Ground > 100x100mm

Connector: N Male

Style: Ground Independent dipole

Suitable for internal used
in industrial machine & control
application

UNLESS OTHERWISE STATED ALL DIMENSIONS ARE IN MILLIMETRES (mm)		TOLERANCE: LINEAR ±0.1		ANGULAR ±1°		REMOVE ALL BURRS AND SHARP EDGES	
<p>ROJONE PTY LTD ACN 002691241 44 AERO RD INGLEBURN 2385 STONEY, AUSTRALIA Ph: (012) 8629 1585 Fax: (012) 9605 8812 Web: www.rojone.com.au E-mail: sales@rojone.com.au</p>				<p>TITLE 2.45GHz 3DB DIPOLE ANTENNA A-900-13A-FLX6</p>		<p>DRAWG No: 009001001249</p>	
MATERIAL	AS PART	DRAWN	Y. GU	CHECKED	B. G.	SCALE	NTS
FINISH	AS PART	APPROVED	B. G.	FILENAME	009001001249issb.DWG	SHEET	1 OF 1
A4							A4