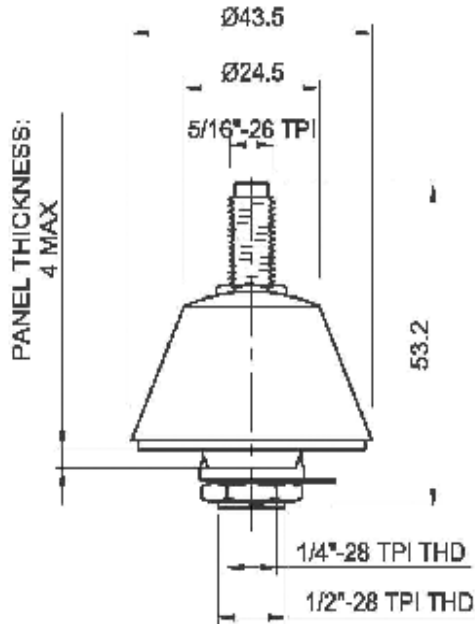


Product Data



Code : A-753

Description: UHF Mounting Base

Category: Antenna Accessories

| | |
|----------------------|--|
| Antenna Mount : | Brass 5/16'' 26TPI Female Thread |
| Vehicle Attachment : | Through Hole Bulkhead |
| Diameter : | 43.5 x 53.2 mm |
| Weight : | 90 g |
| Colour : | Black, Polypropylene Plastic |
| Mechanicals : | Galvanised Steel Earth Plate, Tinned Brass Tag, Neoprene Rubber Gasket & Nitrile O-ring |

Proudly one of Australia's top 100 Professional & Military Electronics, GPS, RF & Telecommunications companies