
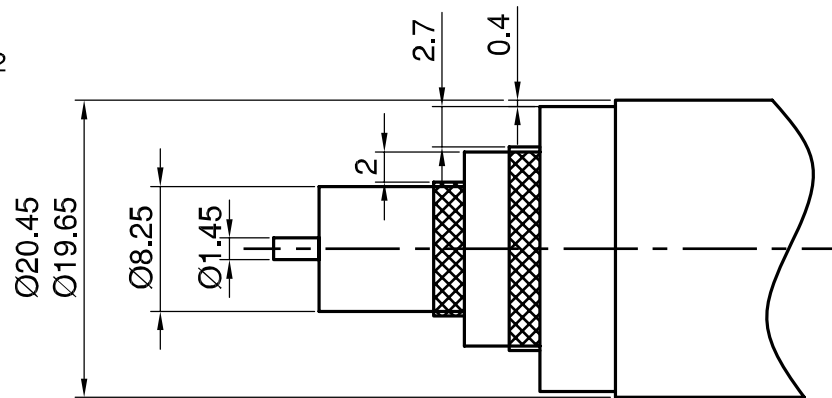
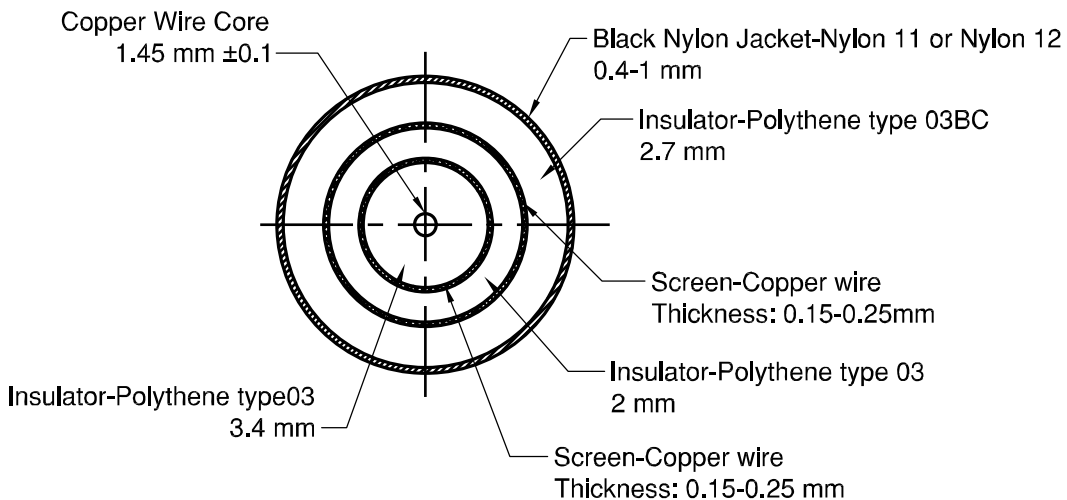


REVISIONS		
ISS	ZONE	DESCRIPTION/PER REQUEST/DATE
c		Modified spec
d		Modified spec

3rd ANGLE PROJECTION  THIS DOCUMENT AND THE DESIGN SHOWN THEREON IS THE PROPERTY OF ROJONE PTY LTD AND MUST NOT BE SOLD, LENT, GIVEN AWAY, COPIED, REPRODUCED OR OTHERWISE DIVULGED TO ANY THIRD PARTY OR USED FOR MANUFACTURE, OR ANY OTHER PURPOSE WITHOUT DIRECT WRITTEN PERMISSION OF ROJONE PTY LTD.

DO NOT SCALE


A
B
C
D
E
F
G
H
I



Electrical Specification

Impedance: 75 ± 2 Ohm
 VSWR: < 1.2:1
 Frequency: 80 - 500KHz
 Insertion Loss: < 5dB/1000m@1MHz
 AC Voltage: 15 KV (RMS) for 2 minutes
 DC resistance: 1600 megohm-km@500V
 Bend Radius: 40 cm
 Application: Direct Burial for Energy Applications

Rojone P/N: CC-30064A
(Old P/N : HTC - 7520)

 ROJONE PTY LTD ACN 002691241 44 AERO RD INGLEBURN 2565 SYDNEY, AUSTRALIA Ph: (612) 9829 1555 Fax: (612) 9605 8812 Web: www.rojone.com.au E-mail: sales@rojone.com.au		TITLE 75 Ohm HT CABLE CC-30064A	
MATERIAL N/A		DRWN Y. GU	
FINISH N/A		CHECKED H. JIA	
UNLESS OTHERWISE STATED ALL DIMENSIONS ARE IN MILLIMETRES (mm) TOLERANCE: LINEAR ±0.1 ANGULAR ±1° REMOVE ALL BURRS AND SHARP EDGES		DRWG No: 100001006012	
		SCALE 1:1 SHEET 1 OF 1	
		APPROVED H. JIA	
		FILENAME 100001006012ISSD.DWG	

REVISION	DATE	CHECKED
A	03-03-2006	H. JIA
C	23-01-2008	H. JIA
D	30-05-2011	H. JIA