

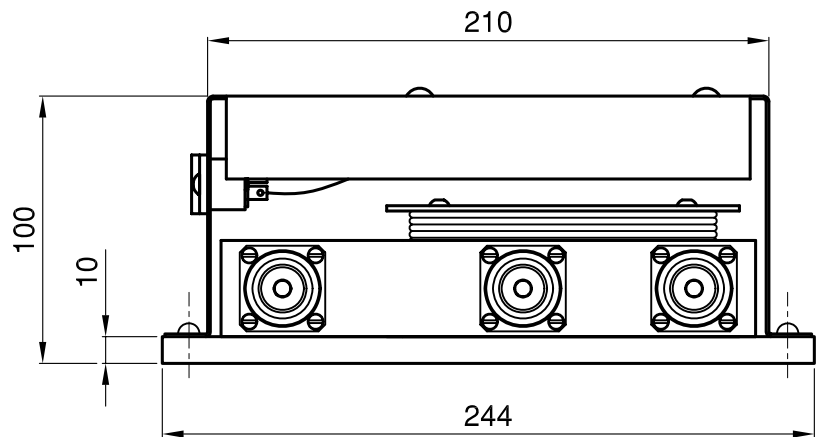
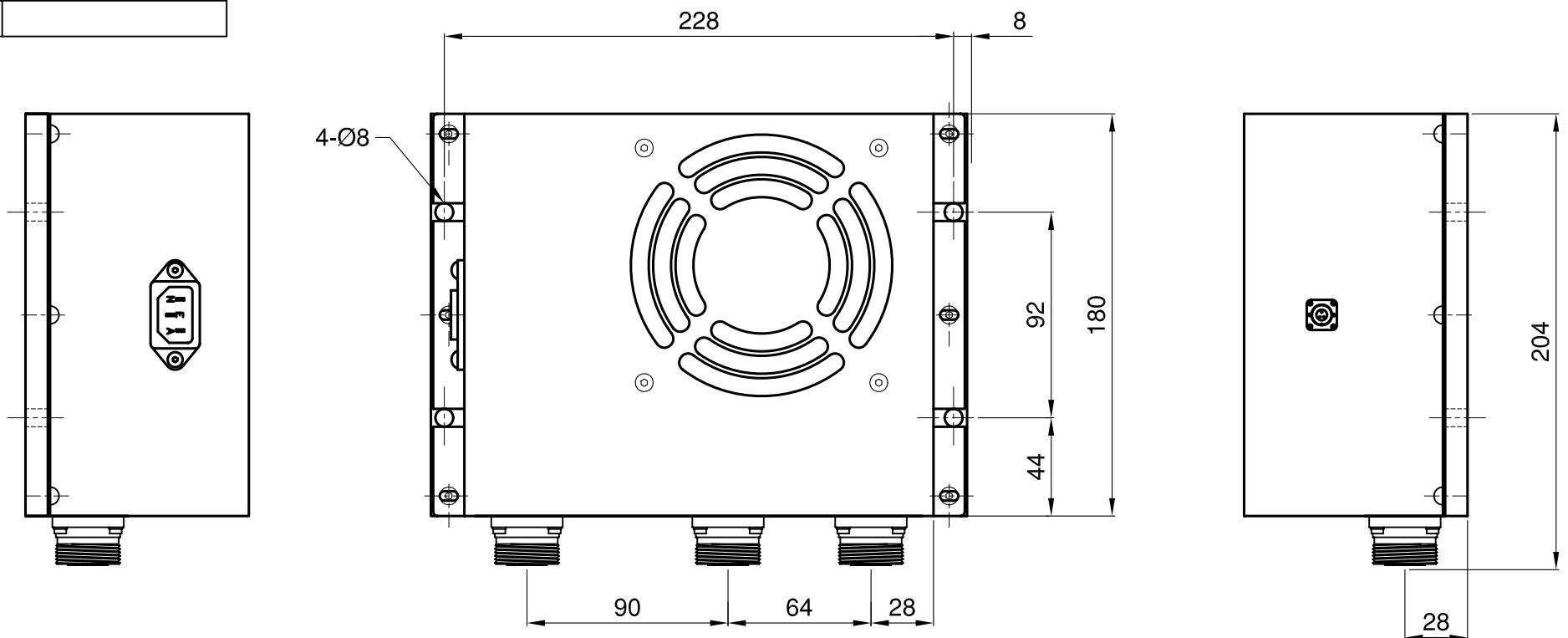
REVISIONS		
ISS	ZONE	DESCRIPTION/PER REQUEST/DATE

3rd ANGLE PROJECTION THIS DOCUMENT AND THE DESIGN SHOWN THEREON IS THE PROPERTY OF ROJONE PTY LTD AND MUST NOT BE SOLD, LENT, GIVEN AWAY, COPIED, REPRODUCED OR OTHERWISE DIVULGED TO ANY THIRD PARTY OR USED FOR MANUFACTURE, OR ANY OTHER PURPOSE WITHOUT DIRECT WRITTEN PERMISSION OF ROJONE PTY LTD.

DO NOT SCALE

A  
B  
C  
D  
E  
F  
G  
H  
I

REVISION	DATE	CHECKED
A	28-11-2007	H. JIA



**SPEC**

Part No: ROJ-072-3HYB-716  
 Freq: 800-2500MHz  
 VSWR: <1.2:1 All ports  
 Input RF Power: 100 Watts Max. per Port  
 Isolation: >20dB  
 Op Temp: -40 to +60 °C  
 IM: <-150dBc @43dBm x2  
 Conn: DIN 716 Female  
 Size: 244x180x100 mm + Conn.

UNLESS OTHERWISE STATED ALL DIMENSIONS ARE IN MILLIMETRES (mm) TOLERANCE: LINEAR ±0.1 ANGULAR ±1° REMOVE ALL BURRS AND SHARP EDGES

	ROJONE PTY LTD ACN 002691241 81 AERO RD INGLEBURN 2565 SYDNEY, AUSTRALIA Ph: (612) 9829 1555 Fax: (612) 9605 8812 Web: www.rojone.com.au E-mail: sales@rojone.com.au		TITLE INTERFACE DRAWING FOR LOW IM COMBINER ROJ-072-3HYB-716	
	MATERIAL N/A		DRWN Y. GU CHECKED H. JIA APPROVED B. G.	
FINISH N/A		DRWG No: 001002250137		SCALE 1:1 SHEET 1 OF 1 FILENAME 001002250137ISSA.DWG A1