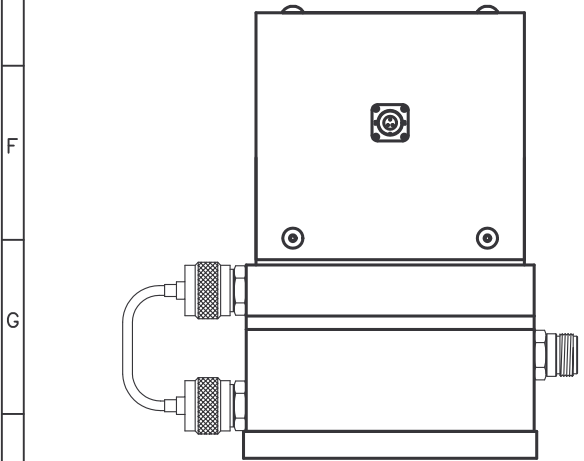
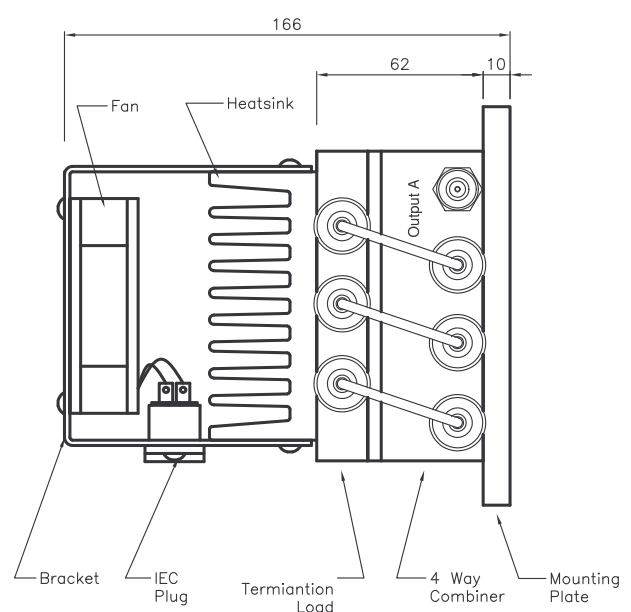
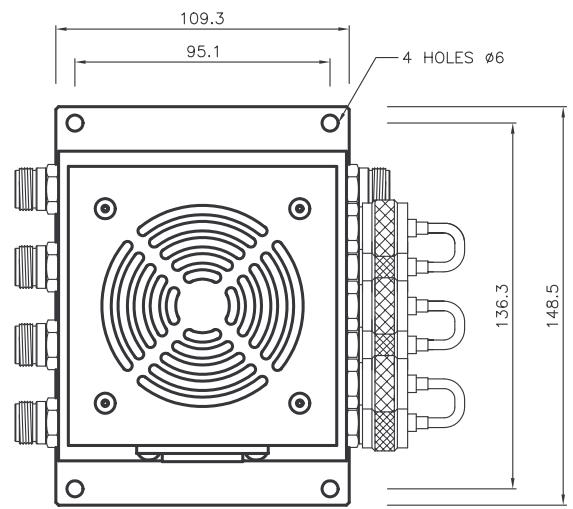
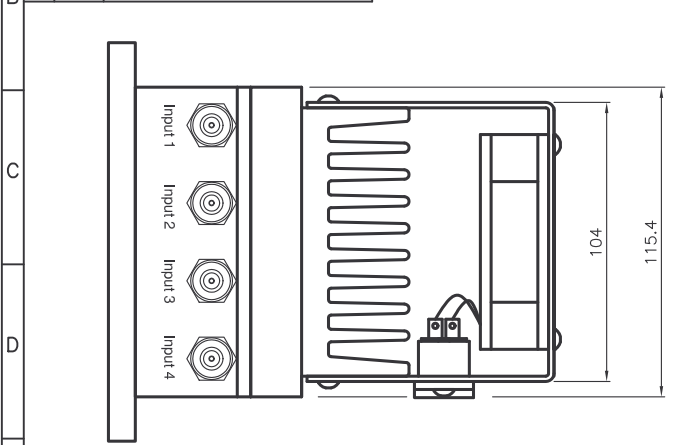


REVISIONS	
A	ISS ZONE DESCRIPTION/PER REQUEST DATE
B	Modified title text; Add port legend.
c	New design of lid and mounting plate.
D	SWITCH PLUG POSITION MODIFIED
E	Add spec of load.

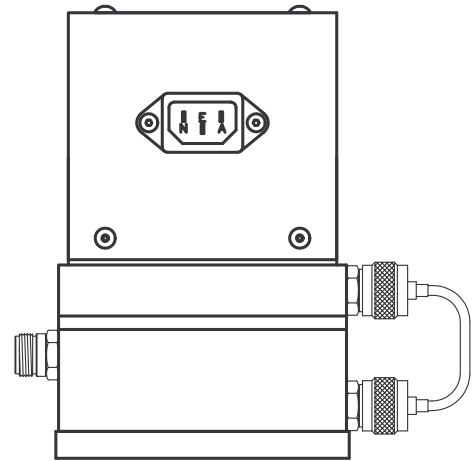
3rd ANGLE PROJECTION

THIS DOCUMENT AND THE DESIGN SHOWN THEREON IS THE PROPERTY OF ROJONE PTY LTD AND MUST NOT BE SOLD, LENT, GIVEN AWAY, COPIED, REPRODUCED OR OTHERWISE DIVULGED TO ANY THIRD PARTY OR USED FOR MANUFACTURE, OR ANY OTHER PURPOSE WITHOUT DIRECT WRITTEN PERMISSION OF ROJONE PTY LTD.

DO NOT SCALE



Option 2: DC Plug
Tasimi R05-RB3M



Option 1: AC Plug
10A Flange Fixing Plug

SPEC for Termination Load

FREQ: 0 ~ 2.5GHz
 INPUT POWER: 50W per PORT
 VSWR: <1.2 : 1
 IMPEDANCE: 50 Ohm
 HUMIDITY: < 90%
 OP TEMP: -10 ~ +50 °C
 DC FOR FAN: 12V / 24V / 48V
 AC FOR FAN: 240V
 RF CONN: N - F
 SIZE: 116 x 108 x 118 mm
 Excl. connectors

SPEC for 4 Way Combiner ROJ-073

FREQ: 800-2500MHz
 ISO: 20dB MIN. ADJACENT PORTS
 30dB MIN NON-ADJACENT
 RTN LOSS: 20dB TYP. TO 3GHz
 TX LOSS: 6.5dB ±0.7dB MAX. TO 2.5GHz
 INSERTION LOSS: 1dB MAX. (INC IN TX LOSS SPEC)
 POWER: 100W PER PORT
 IMPEDANCE: 50 Ohms
 CONNECTOR: N-F

UNLESS OTHERWISE STATED ALL DIMENSIONS ARE IN MILLIMETRES (mm) TOLERANCE: LINEAR ±0.1 ANGULAR ±1° REMOVE ALL BURRS AND SHARP EDGES

	ROJONE PTY LTD ACN 002691241 81 AERO RD INGLEBURN 2565 SYDNEY, AUSTRALIA Ph: (612) 9829 1555 Fax: (612) 9605 8812 Web: www.rojone.com.au E-mail: sales@rojone.com.au	TITLE INTERFACE DRAWING FOR HP 4 WAY 2.5GHz NETWORK COMBINER ROJ-073	
	DRWG No: 001002250070		SCALE 1:1 SHEET 1 OF 1
MATERIAL N/A	DRAWN Y. GU	FILENAME 001002250070ISSD.DWG	
FINISH N/A	CHECKED B. G. APPROVED B. G.	A1	