
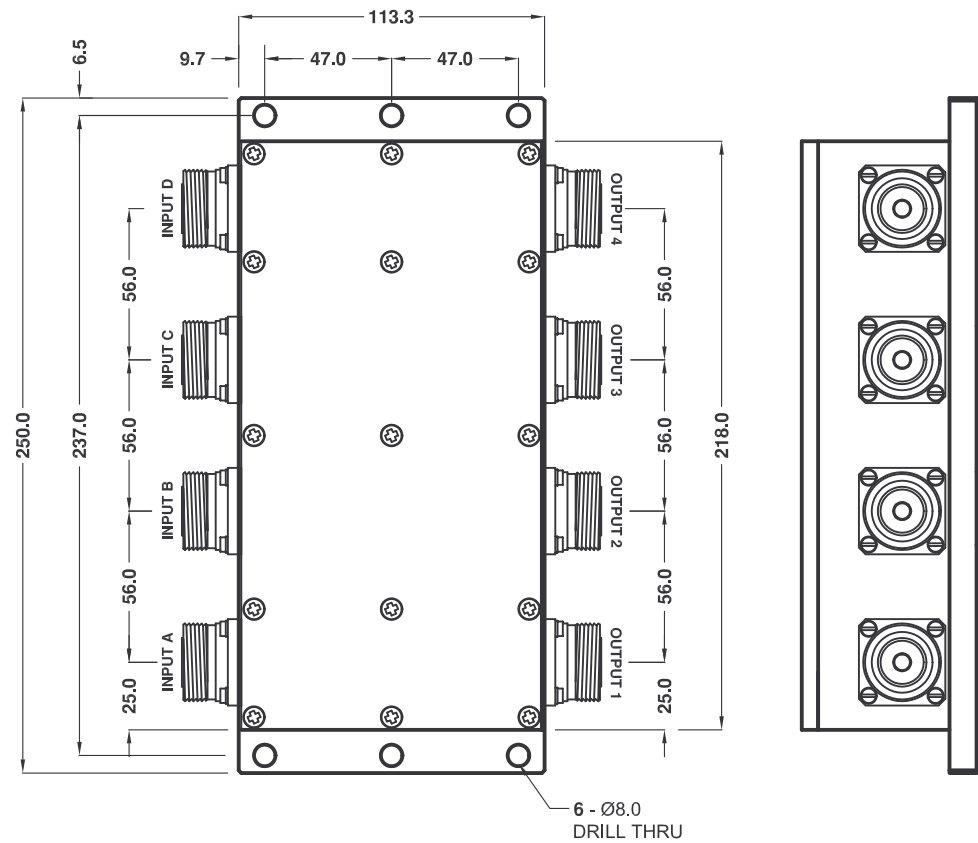


REVISIONS		
ISS	ZONE	DESCRIPTION/PER REQUEST
B		MODIFIED SPEC

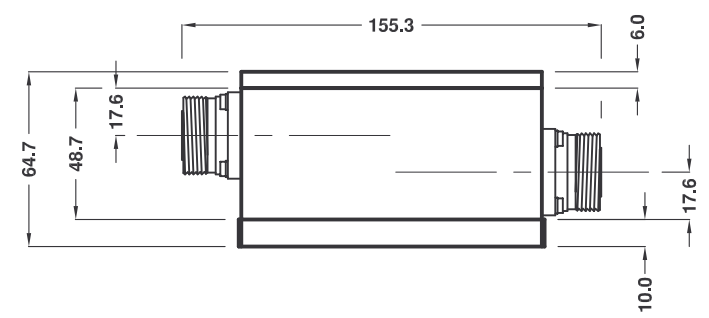
3rd ANGLE PROJECTION  THIS DOCUMENT AND THE DESIGN SHOWN THEREON IS THE PROPERTY OF ROJONE PTY LTD AND MUST NOT BE SOLD, LENT, GIVEN AWAY, COPIED, REPRODUCED OR OTHERWISE DIVULGED TO ANY THIRD PARTY OR USED FOR MANUFACTURE, OR ANY OTHER PURPOSE WITHOUT DIRECT WRITTEN PERMISSION OF ROJONE PTY LTD. DO NOT SCALE

A  
B  
C  
D  
E  
F  
G  
H  
I




SPECIFICATION for ROJ-073-4-4-716-IM	
FREQ:	800-2500MHz
ISO:	20dB MIN. ADJACENT PORTS 30dB MIN NON-ADJACENT
RTN LOSS:	<-18dB, -20dB TYP.
THRU LOSS:	6.0dB ±1dB (±0.7dB TYP) @2.5GHz MAX
POWER:	100W PER PORT
IMPEDANCE:	50 Ohms
IM3:	< -150dBc@43dBm x 2, -155dBc TYP with Low IM Termination
CONNECTOR:	DIN 716 FEMALE
WEIGHT:	ALUMINUM 3.38KG

**Note: All unused ports must be terminated in 50 Ohms.**



UNLESS OTHERWISE STATED ALL DIMENSIONS ARE IN MILLIMETRES (mm) TOLERANCE: LINEAR ±0.1 ANGULAR ±1° REMOVE ALL BURRS AND SHARP EDGES

 ROJONE PTY LTD ACN 002691241 61 AERO RD INGLEBURN 2565 SYDNEY, AUSTRALIA Ph: (612) 9829 1555 Fax: (612) 9605 8812 Web: www.rojone.com.au E-mail: sales@rojone.com.au	TITLE INTERFACE DRAWING FOR LOW IM 4 IN 4 OUT COMBINER (DIN TYPE)	
	DRWG No: 001002250120	
MATERIAL ALUMINUM ALLOY MAIN BODY	DRAWN Y. GU	SCALE 1:1
FINISH PAINT	CHECKED H. JIA APPROVED B. G.	SHEET 1 OF 1
		FILENAME 001002250120ISSB.DWG

REVISION	DATE	CHECKED
A	14-03-2007	H. JIA
B	30-04-2007	H. JIA

A1