
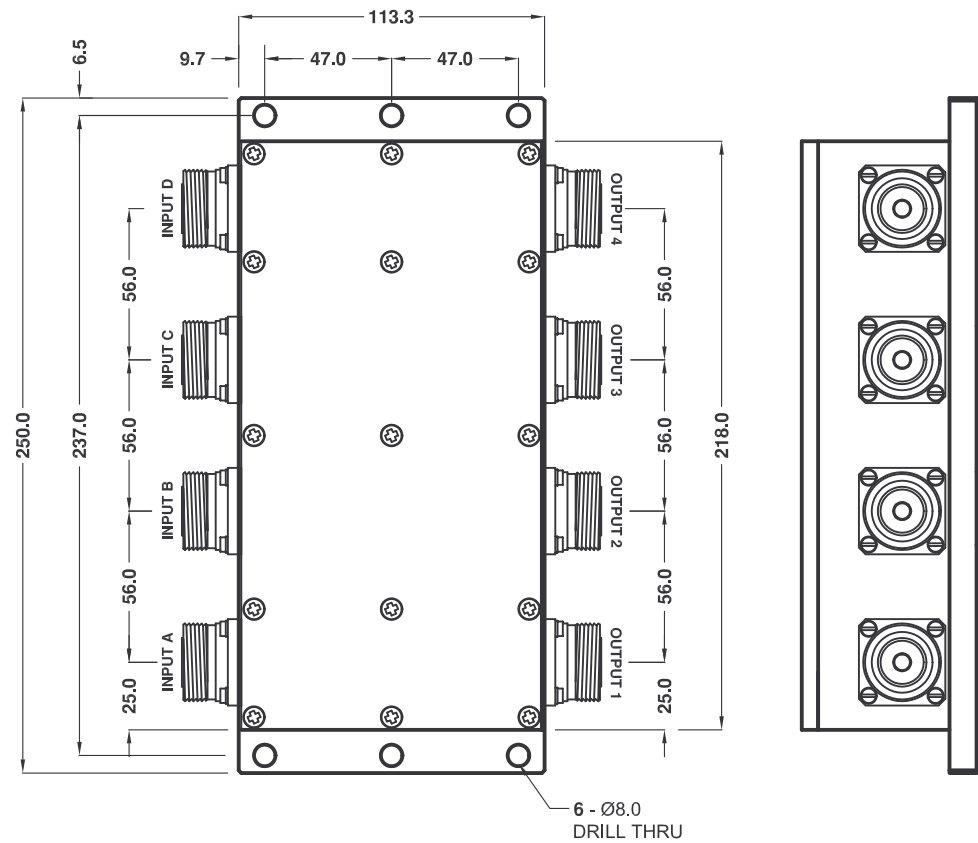


| REVISIONS |      |                         |
|-----------|------|-------------------------|
| ISS       | ZONE | DESCRIPTION/PER REQUEST |
| B         |      | MODIFIED SPEC           |
|           |      |                         |
|           |      |                         |

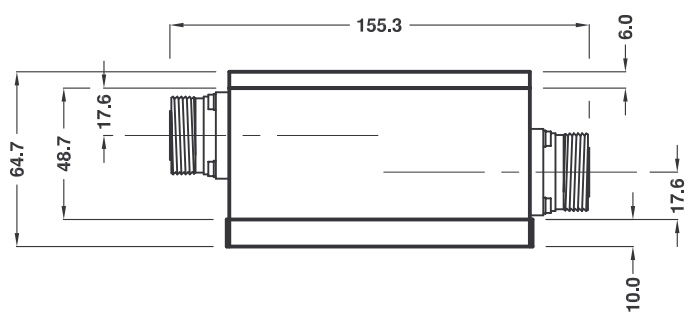
3rd ANGLE PROJECTION  THIS DOCUMENT AND THE DESIGN SHOWN THEREON IS THE PROPERTY OF ROJONE PTY LTD AND MUST NOT BE SOLD, LENT, GIVEN AWAY, COPIED, REPRODUCED OR OTHERWISE DIVULGED TO ANY THIRD PARTY OR USED FOR MANUFACTURE, OR ANY OTHER PURPOSE WITHOUT DIRECT WRITTEN PERMISSION OF ROJONE PTY LTD. DO NOT SCALE

A  
B  
C  
D  
E  
F  
G  
H  
I




| SPECIFICATION for ROJ-073-4-4-716-IM |  |
|--------------------------------------|--|
| FREQ:                                | 800-2500MHz  |
| ISO:                                 | 20dB MIN. ADJACENT PORTS<br>30dB MIN NON-ADJACENT              |
| RTN LOSS:                            | <-18dB, -20dB TYP.   |
| THRU LOSS:                           | 6.0dB ±1dB (±0.7dB TYP)<br>@2.5GHz MAX                         |
| POWER:                               | 100W PER PORT  |
| IMPEDANCE:                           | 50 Ohms  |
| IM3:                                 | < -150dBc@43dBm x 2,<br>-155dBc TYP<br>with Low IM Termination |
| CONNECTOR:                           | DIN 716 FEMALE   |
| WEIGHT:                              | ALUMINUM 3.38KG  |

**Note: All unused ports must be terminated in 50 Ohms.**



UNLESS OTHERWISE STATED ALL DIMENSIONS ARE IN MILLIMETRES (mm) TOLERANCE: LINEAR ±0.1 ANGULAR ±1° REMOVE ALL BURRS AND SHARP EDGES

|  |   |                               |
|--|---|-------------------------------|
|  ROJONE PTY LTD ACN 002691241<br>61 AERO RD INGLEBURN 2565<br>SYDNEY, AUSTRALIA<br>Ph: (612) 9829 1555 Fax: (612) 9605 8812<br>Web: www.rojone.com.au E-mail: sales@rojone.com.au | TITLE<br>INTERFACE DRAWING FOR LOW IM<br>4 IN 4 OUT COMBINER (DIN TYPE) |                               |
|  | DRWG No: 001002250120   |                               |
| MATERIAL<br>ALUMINUM ALLOY MAIN BODY   | DRAWN<br>Y. GU  | SCALE 1:1                     |
| FINISH<br>PAINT  | CHECKED<br>H. JIA   | SHEET 1 OF 1                  |
|  | APPROVED<br>B. G.   | FILENAME 001002250120ISSB.DWG |

| REVISION | DATE       | CHECKED |
|----------|------------|---------|
| A        | 14-03-2007 | H. JIA  |
| B        | 30-04-2007 | H. JIA  |

A1