

HIGH VOLTAGE MULTIPIN CONNECTORS

- ❑ High voltage connectors (breakdown voltage 12,5 kVdc).
- ❑ High density rectangular connectors for 23 or 52 high voltage contacts.
- ❑ Braid to braid electrical continuity achieved once plug & receptacle are mated.
- ❑ Rear release, rear removable size 23 crimp contacts.
- ❑ Interlock contacts.



These connectors have been designed for high voltage applications on four CERN experiments (ATLAS, CMS, ALICE, LHC-B) of the LHC (Large Hadron Collider) particle accelerator. For connectors with 23 or 52 contacts (size 23 crimp), there are five configurations available (see table on reverse side). The connectors can be fitted with two interlock pin contacts that switch off the power supply before unmating the standard contacts. Both interlock and standard contacts are rear release rear removable crimp contacts. The electrical continuity between the plug and the receptacle is provided by the connector pin guides.

TECHNICAL CHARACTERISTICS :

- | | |
|------------------------|--|
| ● Material insulator : | Thermoplastic UL94V0 - halogen free - tensile strength reduction does not exceed 6% after a cumulative exposition to $5 \cdot 10^8$ Gy at a rate of 1 to 2 Gy / h. |
| ● Backshell & shroud : | Aluminium alloy nickel plated. |
| ● Locking device : | Stainless steel and nickel plated copper alloy. |
| ● Contacts : | Copper alloy gold over nickel plated. |
| ● Breakdown voltage : | 12,5 kV dc. |



Australian Representatives

ROJONE, PTY LTD.

Tel: 02 9829 1555

E: sales@rojone.com.au

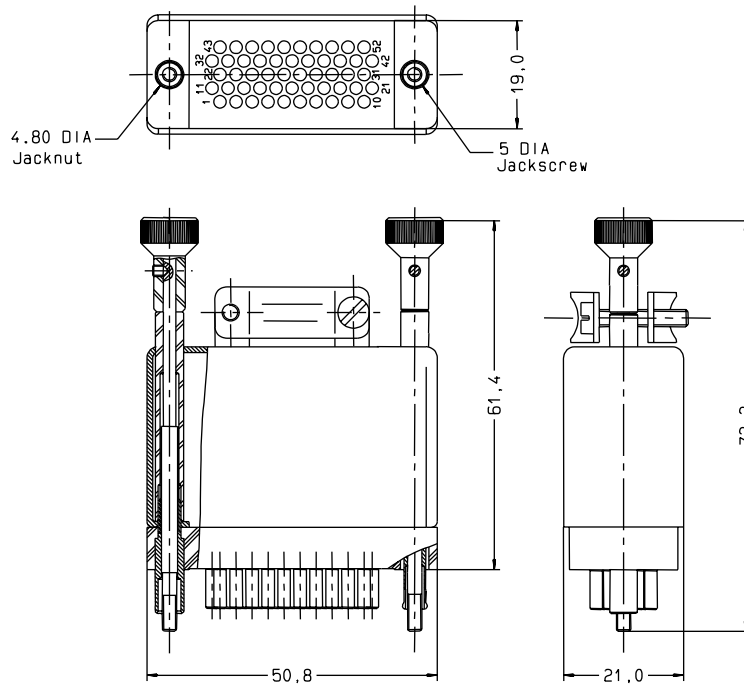
www.rojone.com.au

ISO 9001 APPROVED



DIMENSIONS :

The drawing below shows the dimensions (mm) of the plug for cable and for 52 socket contacts.



CERN / RADIALL CROSS REFERENCES :

CERN P/N	RADIALL P/N	Designation
09.41.34.700.2	691802002	Plug for cable and for 52 socket contacts
09.41.34.720.8	691802004	Plug for cable and for 52 pin contacts
09.41.34.705.7	691803002	Receptacle for cable and for 52 pin contacts
09.41.34.710.0	691803004	Receptacle for front panel and for 52 pin contacts
09.41.34.730.6	691803006	Receptacle for front panel and for 52 socket contacts
09.41.34.500.8	691802003	Plug for cable and for 23 socket contacts
09.41.34.520.4	691802005	Plug for cable and for 23 pin contacts
09.41.34.505.3	691803003	Receptacle for cable and for 23 pin contacts
09.41.34.510.6	691803005	Receptacle for front panel and for 23 pin contacts
09.41.34.530.2	691803007	Receptacle for front panel and for 23 socket contacts
09.41.33.840.5	691804200	Size 23 pin contact for 0,12mm ² cross section cable
09.41.33.820.9	691804201	Size 23 pin contact for 0,02mm ² cross section cable
09.41.33.830.7	691804300	Size 23 socket contact for 0,12mm ² cross section cable
09.41.33.810.1	691804301	Size 23 socket contact for 0,02mm ² cross section cable
09.41.33.890.5	691804230	Size 23 interlock pin contact for 0,12mm ² cross section cable
09.41.33.880.7	691804231	Size 23 interlock pin contact for 0,02mm ² cross section cable
T.B.D	282281	Crimping tool
T.B.D	282585001	Positioner
T.B.D	282549024	Insertion / extraction tool

Australian Representatives - **ROJONE, PTY LTD.**

Tel: 02 9829 1555 E: sales@rojone.com.au www.rojone.com.au

For further information please contact your nearest Radiall representative :



radiall.com

RADIALL (France) +33 1 49 35 35 35
 RADIALL S.F. (Finland) +358 9 34 89 356
 RADIALL G.m.b.H. (Germany) +49 6 074 910 70
 RADIALL Elettronica S.R.L. (Italy) +39 2 48 85 121
 RADIALL B.V. (Netherlands) +31 33 253 40 09
 RADIALL A.B. (Sweden) +46 8 444 34 10
 RADIALL Ltd (U.K.) +44 20 8991 7700

RADIALL JERRIK INC. (USA) +1 480 730 5700
 RADIALL do Brasil (Brasil) +55 21 25 58 05 76
 SHANGHAI RADIALL Ltd (China) +86 21 66 52 37 88
 NIHON RADIALL KK (Japan) +81 3 3866 2390
 RADIALL Electronics Ltd (Asia) +852 29 59 38 33
 RADIALL PROTECTRON (India) +91 80 83 95 271

June 2002 Edition

D7 300 TE



RADIALL

Printed in France

This information is intended as a guide only. To ensure a continuing policy of product improvement, Radiall reserves the right to modify its specifications without prior notification. ©Registered Trade Mark